

CEMUX

REVOLUTION IN METAL BOX - M BOX

Slim drawer system catalogue

LIVE YOUR LIFE | [CEMUX.COM](https://www.cemux.com)



“New generation for the metal box”

1.2mm thickness ultra slim drawer in drawer system finish can be use in modern and stylish cabinet design.

More cost-effective way to decorate drawer in double wall drawer system style .



“Performance in different environment ”

No matter kitchen, living room, bathroom, wardrobe, M BOX can be suitable in any place by full extension and part extension.

M BOX can be easy installation by screws and click to lock the drawer.

“More functionality of drawer slide”

Soft-close; push-open all can be applied to the M BOX slide; Besides, 3D adjustment is easier to modify the small gap of assembling.

M BOX slide not only assembled with drawer slide, but also can be use individually for wooden drawer.



M box - 76mm height

Drawer H76; Soft-close/Push-open; 7/8 extension



- Extremely slim wall
- Soft-close/Push-open
- 7/8 extension
- Up & down adjustment;
- Left & right adjustment
- Length from 300-500mm
- Loading capacity is 30 KG

NL	Soft-close		Push-open		Package
	White	Grey	White	Grey	
300	M1401-300W	M1401-300G	M1401-300PW	M1401-300PG	6 sets
350	M1401-350W	M1401-350G	M1401-350PW	M1401-350PG	6 sets
400	M1401-400W	M1401-400G	M1401-400PW	M1401-400PG	6 sets
450	M1401-450W	M1401-450G	M1401-450PW	M1401-450PG	6 sets
500	M1401-500W	M1401-500G	M1401-500PW	M1401-500PG	6 sets

M box - 116mm height

Drawer H116; Soft-close/Push-open; 7/8 extension



- Extremely slim wall
- Soft-close/Push-open
- 7/8 extension
- Up & down adjustment;
- Left & right adjustment
- Length from 300-500mm
- Loading capacity is 30 KG

NL	Soft-close		Push-open		Package
	White	Grey	White	Grey	
300	M1402-300W	M1402-300G	M1402-300PW	M1402-300PG	6 sets
350	M1402-350W	M1402-350G	M1402-350PW	M1402-350PG	6 sets
400	M1402-400W	M1402-400G	M1402-400PW	M1402-400PG	6 sets
450	M1402-450W	M1402-450G	M1402-450PW	M1402-450PG	6 sets
500	M1402-500W	M1402-500G	M1402-500PW	M1402-500PG	6 sets

M box - 148mm height

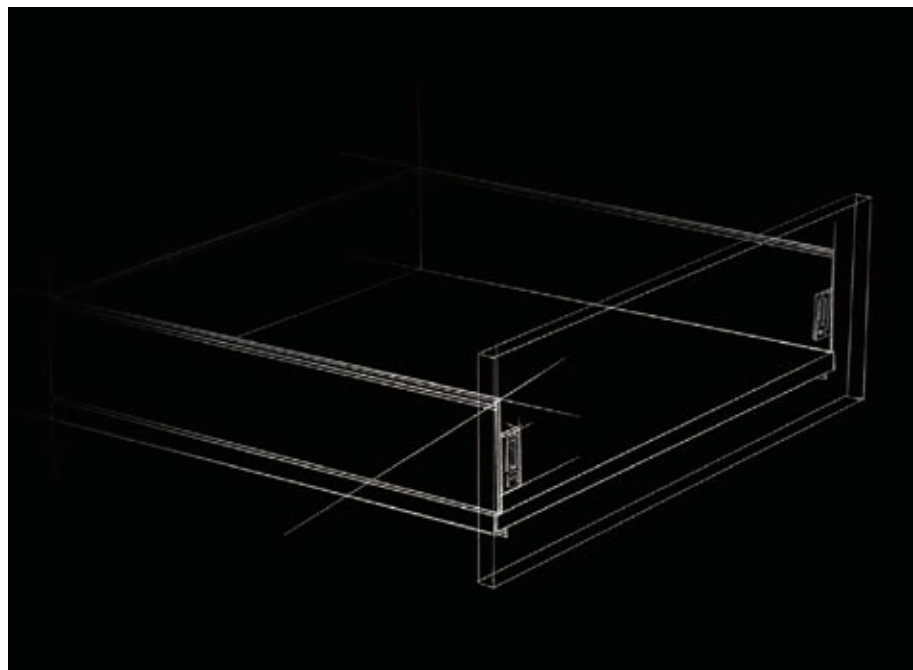
Drawer H148; Soft-close/Push-open; 7/8 extension



- Extremely slim wall
- Soft-close/Push-open
- 7/8 extension
- Up & down adjustment;
- Left & right adjustment
- Length from 300-500mm
- Loading capacity is 30 KG

NL	Soft-close		Push-open		Package
	White	Grey	White	Grey	
300	M1403-300W	M1403-300G	M1403-300PW	M1403-300PG	6 sets
350	M1403-350W	M1403-350G	M1403-350PW	M1403-350PG	6 sets
400	M1403-400W	M1403-400G	M1403-400PW	M1403-400PG	6 sets
450	M1403-450W	M1403-450G	M1403-450PW	M1403-450PG	6 sets
500	M1403-500W	M1403-500G	M1403-500PW	M1403-500PG	6 sets

“Best design for best living”

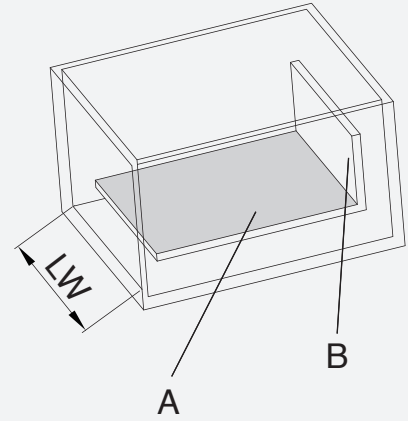
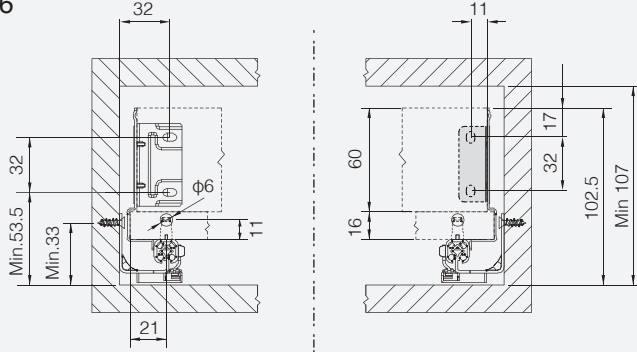


Technical information - How to confirm the hole position & cutting dimensions

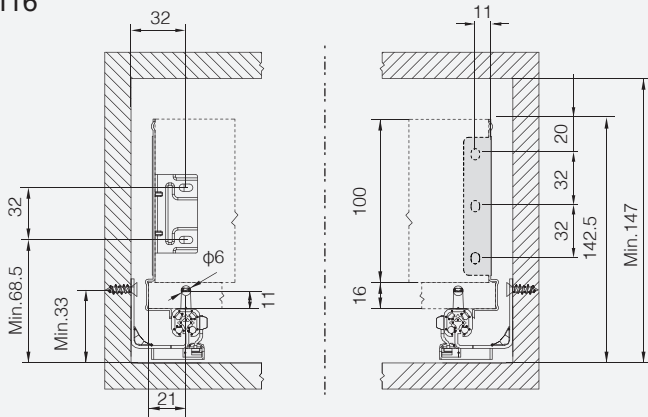
Technical information

Cutting dimensions for 16mm MDF

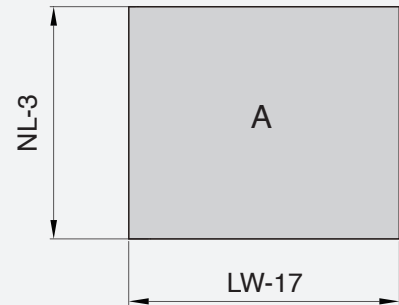
H76



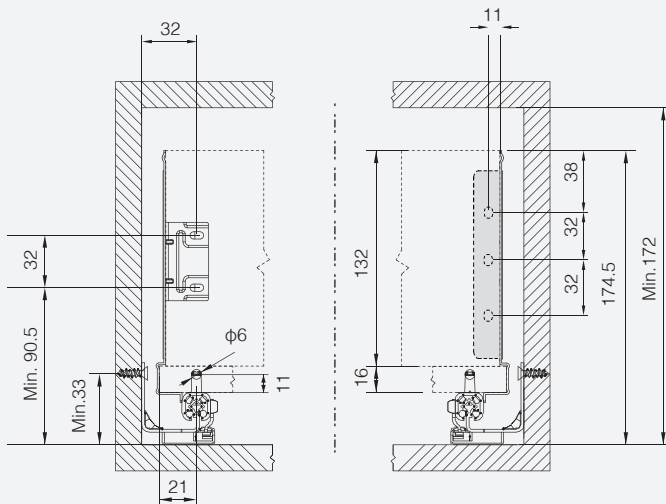
H116



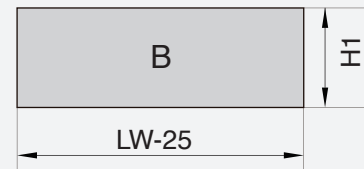
Bottom panel cutting dimension



H148

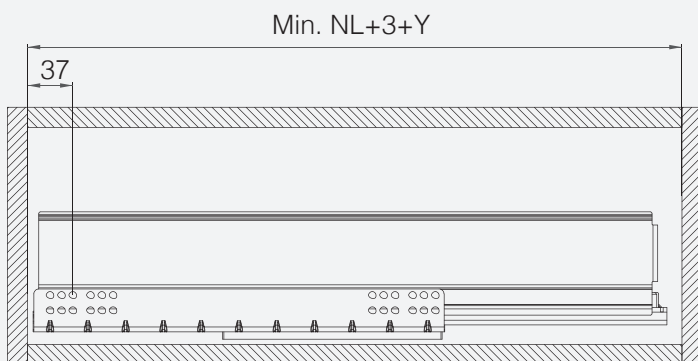
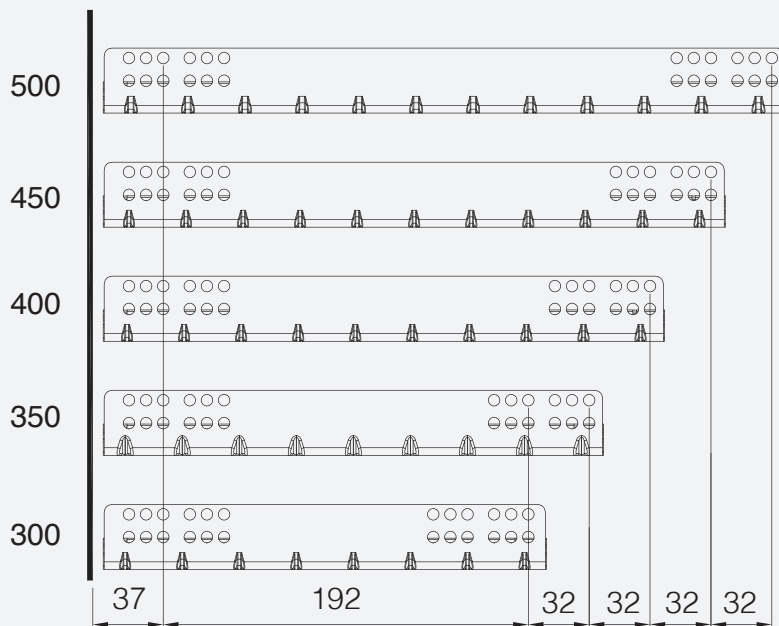


Back panel cutting dimension



H	H1
76	60
116	100
148	132

Fixing positions for drawer slides

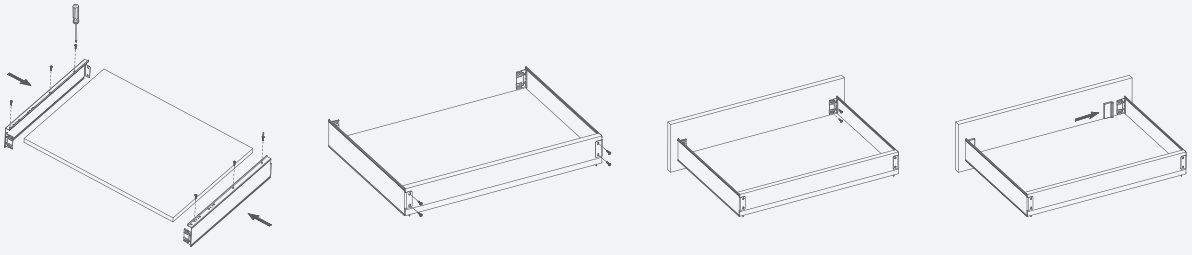


NL	Y
300	25
350	25
400	35
450	35
500	30

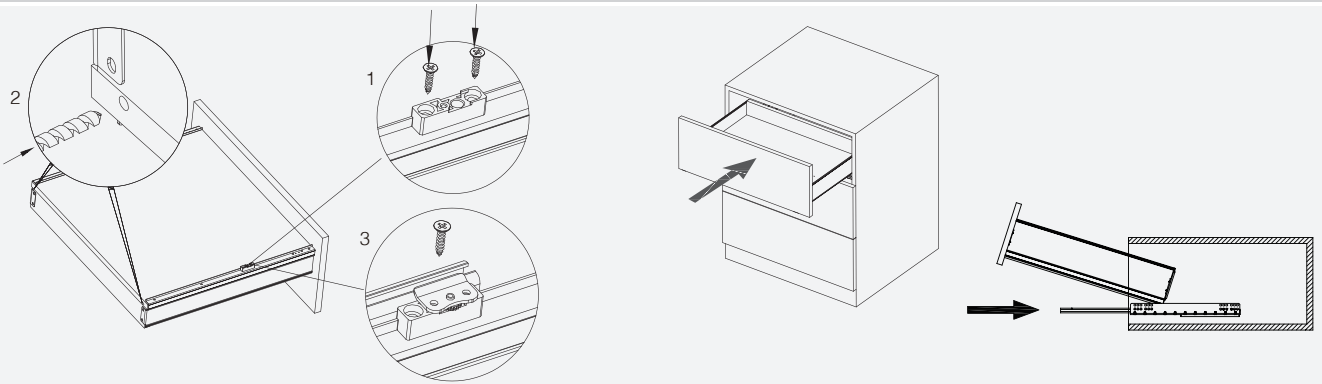
M box

Installation information

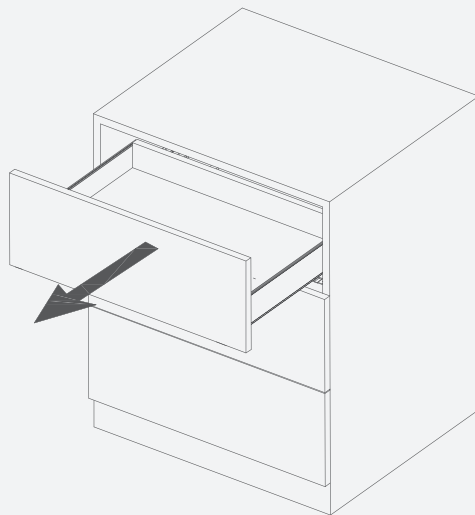
Install drawer



Install slide with pin



Remove drawer



Pin:
Remove screw then
raise and pull drawer

For more information, please visit CEMUX.COM
or contact us email INFO@CEMUX.COM

CEMUX
LIVE YOUR LIFE

CEMUX TECHNOLOGY IRELAND

—
Kilkeary,
Nenagh,
Co. Tipperary
Ireland
Tel: 00353 67 31471