

CEMUX STORAGE SOLUTIONS

Functional hardware catalogue

Who we are

CEMUX is the go to source from around the world. Producing and providing furniture hardware solutions to the woodworking industry and the DIY market. We are committed to putting our customers first and providing them with great products, support and value.





Principle

CEMUX believes in being Flexible to the needs of our customers. We understand that every market, in every country, in every sector have a unique and different way of thinking. This is why, we adapt to the behaviors and demands of our customers.

CEMUX Global Marketplace



Europe

- CEMUX UK
- CEMUX IRELAND
- CEMUX CZECH
- CEMUX ICELAND
- CEMUX FINLAND
- CEMUX PORTUGAL
- CEMUX GREECE
- CEMUX HUNGARY

America

- CEMUX CANADA - Toronto
- CEMUX CANADA - Montreal

Asia

- CEMUX CHINA - Shanghai
- CEMUX CHINA - Shenzhen

Australia

- CEMUX AUSTRALIA - Melbourne



1. Drawer system

- 1.1 H BOX Drawer system
- 1.2 F BOX Drawer system
- 1.3 A BOX Drawer system



2. Drawer slide

- 2.1 Undermount slide
- 2.2 Ball bearing slide



3. Hinge system

- 3.1 Black hinge with in-line plate
- 3.2 Clip-on hinge
- 3.3 Slide-on hinge



4. Bins system

- 4.1 Waste bin
- 4.2 Laundry bin



5. Kitchen basket

5.1 S Basket storage system



6. Sliding system

6.1 Flush sliding system

6.2 Folding sliding system

6.3 Top hanging sliding system

6.4 Bottom runner sliding system



7. Wardrobe

7.1 BW wardrobe

7.2 ALW wardrobe



CEMUX

CEM

CEMUX

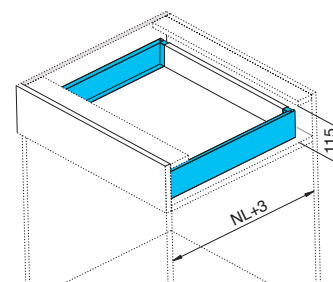
**A NEW
GENERATION
DRAWER
SYSTEM - H BOX**

H box - 84mm height

Drawer H84; Soft-close/Push-open



- Slim wall
- Soft-close/Push-open
- Full extension
- 84 mm drawer height
- ±2mm up & down adjustment;
- ±1.5mm left & right adjustment
- Length from 270-550mm
- Cycles with loading 40kg is 100,000
- Loading capacity is 40 KG



Components	NL	Soft-close		Push-open		Package
		White	Grey	White	Grey	
	270	H1301-270W	H1301-270G	H1301-270PW	H1301-270PG	6 sets
	300	H1301-300W	H1301-300G	H1301-300PW	H1301-300PG	6 sets
	350	H1301-350W	H1301-350G	H1301-350PW	H1301-350PG	6 sets
	400	H1301-400W	H1301-400G	H1301-400PW	H1301-400PG	6 sets
	450	H1301-450W	H1301-450G	H1301-450PW	H1301-450PG	6 sets
	500	H1301-500W	H1301-500G	H1301-500PW	H1301-500PG	6 sets
	550	H1301-550W	H1301-550G	H1301-550PW	H1301-550PG	6 sets

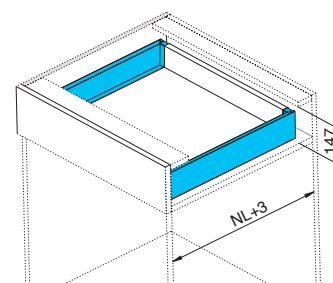
* One set included one pair of slides, sides, rear brackets, front brackets and cover caps

H box - 116mm height

Drawer H116; Soft-close/Push-open



- Slim wall
- Soft-close/Push-open
- Full extension
- 116 mm drawer height
- ±2mm up & down adjustment;
- ±1.5mm left & right adjustment
- Length from 270-550mm
- Cycles with loading 40kg is 100,000
- Loading capacity is 40 KG



Components	NL	Soft-close		Push-open		Package
		White	Grey	White	Grey	
	270	H1302-270W	H1302-270G	H1302-270PW	H1302-270PG	6 sets
	300	H1302-300W	H1302-300G	H1302-300PW	H1302-300PG	6 sets
	350	H1302-350W	H1302-350G	H1302-350PW	H1302-350PG	6 sets
	400	H1302-400W	H1302-400G	H1302-400PW	H1302-400PG	6 sets
	450	H1302-450W	H1302-450G	H1302-450PW	H1302-450PG	6 sets
	500	H1302-500W	H1302-500G	H1302-500PW	H1302-500PG	6 sets
	550	H1302-550W	H1302-550G	H1302-550PW	H1302-550PG	6 sets

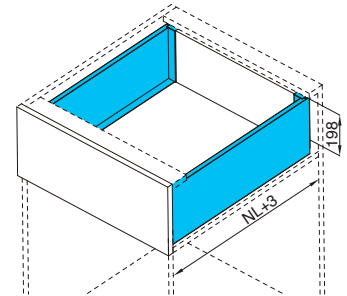
* One set included one pair of slides, sides, rear brackets, front brackets and cover caps

H box - 167mm height

Drawer H167; Soft-close/Push-open



- Slim wall
- Soft-close
- Full extension
- 167 mm drawer height
- ±2mm up & down adjustment;
- ±1.5mm left & right adjustment
- Length from 270-550mm
- Cycles with loading 40kg is 100,000
- Loading capacity is 40 KG



Components	NL	Soft-close		Push-open		Package
		White	Grey	White	Grey	
	270	H1303-270W	H1303-270G	H1303-270PW	H1303-270PG	5 sets
	300	H1303-300W	H1303-300G	H1303-300PW	H1303-300PG	5 sets
	350	H1303-350W	H1303-350G	H1303-350PW	H1303-350PG	5 sets
	400	H1303-400W	H1303-400G	H1303-400PW	H1303-400PG	5 sets
	450	H1303-450W	H1303-450G	H1303-450PW	H1303-450PG	5 sets
	500	H1303-500W	H1303-500G	H1303-500PW	H1303-500PG	5 sets
	550	H1303-550W	H1303-550G	H1303-550PW	H1303-550PG	5 sets

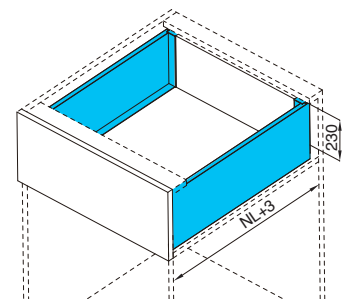
* One set included one pair of slides, sides, rear brackets, front brackets and cover caps

H box - 199mm height

Drawer H199; Soft-close/Push-open

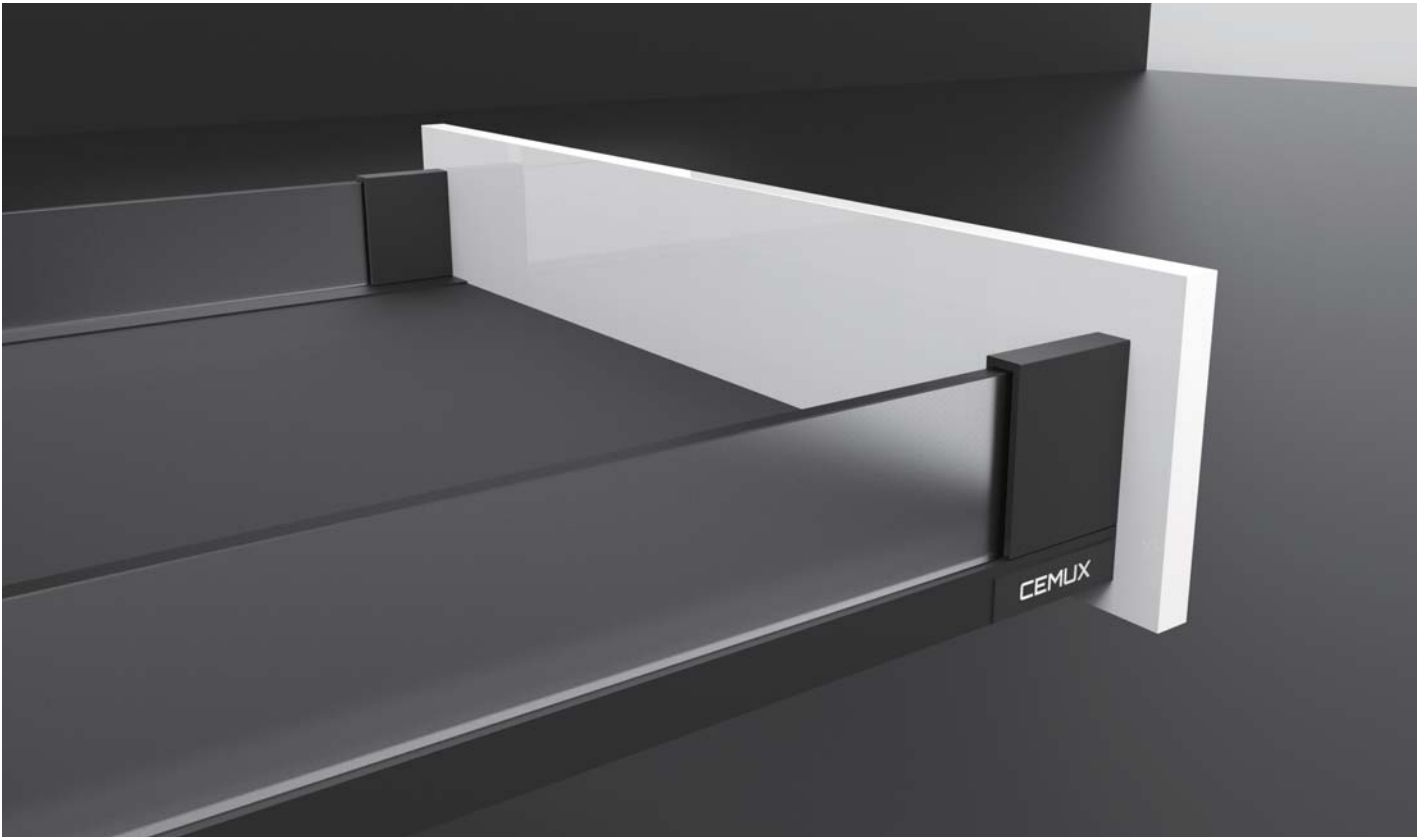


- Slim wall
- Soft-close
- Full extension
- 199 mm drawer height
- ±2mm up & down adjustment;
- ±1.5mm left & right adjustment
- Length from 270-550mm
- Cycles with loading 40kg is 100,000
- Loading capacity is 40 KG



Components	NL	Soft-close		Push-open		Package
		White	Grey	White	Grey	
	270	H1304-270W	H1304-270G	H1304-270PW	H1304-270PG	4 sets
	300	H1304-300W	H1304-300G	H1304-300PW	H1304-300PG	4 sets
	350	H1304-350W	H1304-350G	H1304-350PW	H1304-350PG	4 sets
	400	H1304-400W	H1304-400G	H1304-400PW	H1304-400PG	4 sets
	450	H1304-450W	H1304-450G	H1304-450PW	H1304-450PG	4 sets
	500	H1304-500W	H1304-500G	H1304-500PW	H1304-500PG	4 sets
	550	H1304-550W	H1304-550G	H1304-550PW	H1304-550PG	4 sets

* One set included one pair of slides, sides, rear brackets, front brackets and cover caps

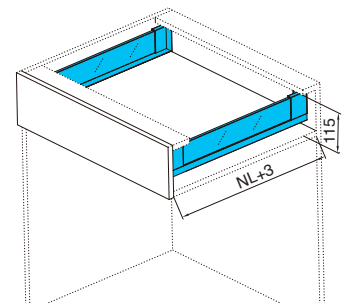


H box - 84mm height

Drawer glass side H84; Soft-close/Push-open



- Slim glass wall
- Soft-close
- Full extension
- 84 mm drawer height
- ± 2 mm up & down adjustment;
- ± 1.5 mm left & right adjustment
- Length from 350-550mm
- Cycles with loading 40kg is 100,000
- Loading capacity is 40 KG



Components	NL	Soft-close		Push-open		Package
		White	Grey	White	Grey	
	270	H1311-270W	H1311-270G	H1311-270PW	H1311-270PG	6 sets
	300	H1311-300W	H1311-300G	H1311-300PW	H1311-300PG	6 sets
	350	H1311-350W	H1311-350G	H1311-350PW	H1311-350PG	6 sets
	400	H1311-400W	H1311-400G	H1311-400PW	H1311-400PG	6 sets
	450	H1311-450W	H1311-450G	H1311-450PW	H1311-450PG	6 sets
	500	H1311-500W	H1311-500G	H1311-500PW	H1311-500PG	6 sets
	550	H1311-550W	H1311-550G	H1311-550PW	H1311-550PG	6 sets

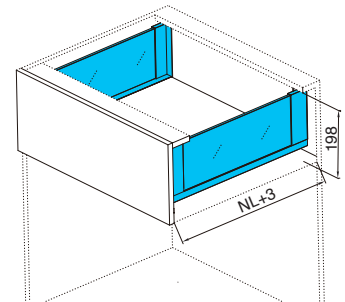
* One set included one pair of slides, sides, rear brackets, front brackets and cover caps

H box - 167mm height

Drawer glass side H167; Soft-close/Push-open



- Slim glass wall
- Soft-close
- Full extension
- 167 mm drawer height
- ±2mm up & down adjustment;
- ±1.5mm left & right adjustment
- Length from 350-550mm
- Cycles with loading 40kg is 100,000
- Loading capacity is 40 KG



Components	NL	Soft-close		Push-open		Package
		White	Grey	White	Grey	
	270	H1313-270W	H1313-270G	H1313-270PW	H1313-270PG	5 sets
	300	H1313-300W	H1313-300G	H1313-300PW	H1313-300PG	5 sets
	350	H1313-350W	H1313-350G	H1313-350PW	H1313-350PG	5 sets
	400	H1313-400W	H1313-400G	H1313-400PW	H1313-400PG	5 sets
	450	H1313-450W	H1313-450G	H1313-450PW	H1313-450PG	5 sets
	500	H1313-500W	H1313-500G	H1313-500PW	H1313-500PG	5 sets
	550	H1313-550W	H1313-550G	H1313-550PW	H1313-550PG	5 sets

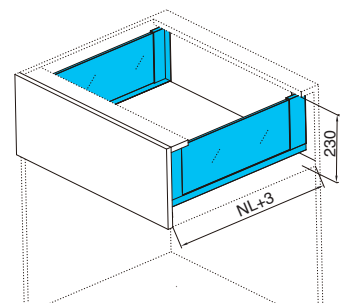
* One set included one pair of slides, sides, rear brackets, front brackets and cover caps

H box - 199mm height

Drawer glass side H199; Soft-close/Push-open



- Slim frosted glass wall
- Soft-close
- Full extension
- 199 mm drawer height
- ±2mm up & down adjustment;
- ±1.5mm left & right adjustment
- Length from 350-550mm
- Cycles with loading 40kg is 100,000
- Loading capacity is 40 KG



Components	NL	Soft-close		Push-open		Package
		White	Grey	White	Grey	
	270	H1314-270W	H1314-270G	H1314-270PW	H1314-270PG	4 sets
	300	H1314-300W	H1314-300G	H1314-300PW	H1314-300PG	4 sets
	350	H1314-350W	H1314-350G	H1314-350PW	H1314-350PG	4 sets
	400	H1314-400W	H1314-400G	H1314-400PW	H1314-400PG	4 sets
	450	H1314-450W	H1314-450G	H1314-450PW	H1314-450PG	4 sets
	500	H1314-500W	H1314-500G	H1314-500PW	H1314-500PG	4 sets
	550	H1314-550W	H1314-550G	H1314-550PW	H1314-550PG	4 sets

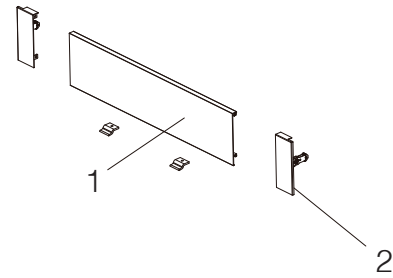
* One set included one pair of slides, sides, rear brackets, front brackets and cover caps

INNER DRAWER ACCESSORIES

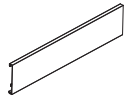


H box

Inset drawer accessories for H84



1. Front panel - normal aluminum
* DIY cut : Length = LW-100



L	White	Grey	Package
600	H1320600W	H1320600G	20 pcs
1200	H1321200W	H1321200G	20 pcs
2000	H1322000W	H1322000G	20 pcs

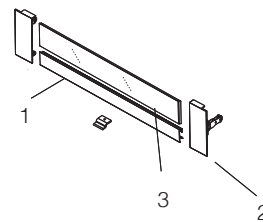
2. Inset drawer front bracket left/right



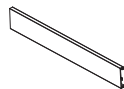
	White	Grey	Package
	H130200W	H130200G	50 pairs

H box

Inset drawer - Front panel and H54 glass for drawer H84



1. Front panel - low aluminum
* DIY cut : Length = LW-100



L	White	Grey	Package
600	H1330600W	H1330600G	20 pcs
1200	H1331200W	H1331200G	20 pcs
2000	H1332000W	H1332000G	20 pcs

2. Inset drawer front bracket left/right



	White	Grey	Package
	H131200W	H131200G	50 pairs

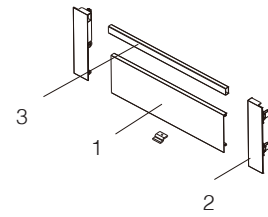
3. Front H54 glass panel



KB	Frosted	Transparent	Package
600	H1410476F	H1410476T	20 pcs
800	H1410676F	H1410676T	20 pcs
900	H1410776F	H1410776T	20 pcs

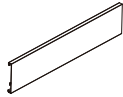
H box

Inset drawer - Front panel and rail for drawer H167



1. Front panel - normal aluminum

* DIY cut : Length = LW-100



L	White	Grey	Package
600	H1320600W	H1320600G	20 pcs
1200	H1321200W	H1321200G	20 pcs
2000	H1322000W	H1322000G	20 pcs

2. Inset drawer front bracket left/right



	White	Grey	Package
	H130500W	H130500G	20 pairs

3. Front square rail

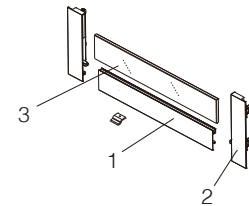
* DIY cut : Length = LW-88



L	White	Grey	Package
600	HF320600W	HF320600G	50 pcs
1200	HF321200W	HF321200G	50 pcs
2000	HF322000W	HF322000G	50 pcs

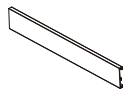
H box

Inset drawer - Front panel and H70 glass for drawer H167



1. Front panel - low aluminum

* DIY cut : Length = LW-100



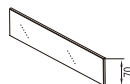
L	White	Grey	Package
600	H1330600W	H1330600G	20 pcs
1200	H1331200W	H1331200G	20 pcs
2000	H1332000W	H1332000G	20 pcs

2. Inset drawer front bracket left/right



	White	Grey	Package
	H130300W	H130300G	20 pairs

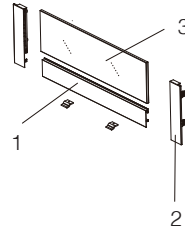
3. Front H70 glass panel



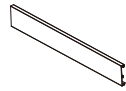
KB	Frosted	Transparent	Package
600	H1360476F	H1360476T	20 pcs
800	H1360676F	H1360676T	20 pcs
900	H1360776F	H1360776T	20 pcs

H box

Inset drawer - Front panel and H138 glass for drawer glass side H167



1. Front panel - low aluminum
* DIY cut : Length = LW-100



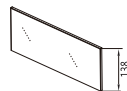
L	White	Grey	Package
600	H1330600W	H1330600G	20 pcs
1200	H1331200W	H1331200G	20 pcs
2000	H1332000W	H1332000G	20 pcs

2. Inset drawer front bracket left/right



	White	Grey	Package
	H130400W	H130400G	20 pairs

3. Front H138 glass panel

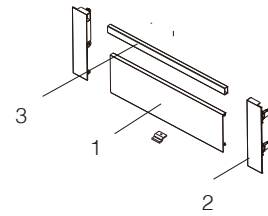


KB	Frosted	Transparent	Package
600	H1370476F	H1370476T	20 pcs
800	H1370676F	H1370676T	20 pcs
900	H1370776F	H1370776T	20 pcs

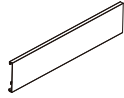


H box

Inset drawer - Front panel and rail for drawer H199



1. Front panel - normal aluminum
* DIY cut : Length = LW-100



L	White	Grey	Package
600	H1320600W	H1320600G	20 pcs
1200	H1321200W	H1321200G	20 pcs
2000	H1322000W	H1322000G	20 pcs

2. Inset drawer front bracket left/right



	White	Grey	Package
	H130800W	H130800G	20 pairs

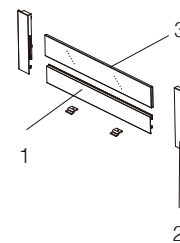
3. Front square rail
* DIY cut : Length = LW-88



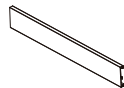
L	White	Grey	Package
600	HF320600W	HF320600G	50 pcs
1200	HF321200W	HF321200G	50 pcs
2000	HF322000W	HF322000G	50 pcs

H box

Inset drawer - Front panel and H102 glass for drawer glass side H199



1. Front panel - low aluminum
* DIY cut : Length = LW-100



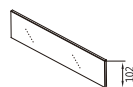
L	White	Grey	Package
600	H1330600W	H1330600G	20 pcs
1200	H1331200W	H1331200G	20 pcs
2000	H1332000W	H1332000G	20 pcs

2. Inset drawer front bracket left/right



	White	Grey	Package
	H130600W	H130600G	20 pairs

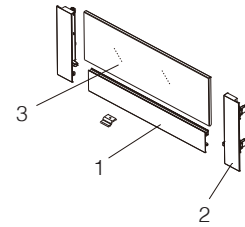
3. Front H102 glass panel



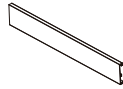
KB	Frosted	Transparent	Package
600	H1390476F	H1390476T	20 pcs
800	H1390676F	H1390676T	20 pcs
900	H1390776F	H1390776T	20 pcs

H box

Inset drawer - Front panel and H170 glass for drawer H199



1. Front panel - low aluminum
* DIY cut : Length = LW-100



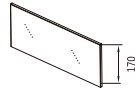
L	White	Grey	Package
600	H1330600W	H1330600G	20 pcs
1200	H1331200W	H1331200G	20 pcs
2000	H1332000W	H1332000G	20 pcs

2. Inset drawer front bracket left/right



	White	Grey	Package
	H130700W	H130700G	20 pairs

3. Front H170 glass panel



KB	Frosted	Transparent	Package
600	H1400476F	H1400476T	20 pcs
800	H1400676F	H1400676T	20 pcs
900	H1400776F	H1400776T	20 pcs



H84



H167



H199

INDUSTRIAL PACKAGE

CEMUX provide industrial package for
automatical manufacture



H box

Industrail package

Drawer side H84



NL	Left side		Right side		Package
	White	Grey	White	Grey	
270	HD131270WL	HD131270GL	HD131270WR	HD131270GR	20 pcs
300	HD131300WL	HD131300GL	HD131300WR	HD131300GR	20 pcs
350	HD131350WL	HD131350GL	HD131350WR	HD131350GR	20 pcs
400	HD131400WL	HD131400GL	HD131400WR	HD131400GR	20 pcs
450	HD131450WL	HD131450GL	HD131450WR	HD131450GR	20 pcs
500	HD131500WL	HD131500GL	HD131500WR	HD131500GR	20 pcs
550	HD131550WL	HD131550GL	HD131550WR	HD131550GR	20 pcs

Drawer side H116



NL	Left side		Right side		Package
	White	Grey	White	Grey	
270	HD132270WL	HD132270GL	HD132270WR	HD132270GR	20 pcs
300	HD132300WL	HD132300GL	HD132300WR	HD132300GR	20 pcs
350	HD132350WL	HD132350GL	HD132350WR	HD132350GR	20 pcs
400	HD132400WL	HD132400GL	HD132400WR	HD132400GR	20 pcs
450	HD132450WL	HD132450GL	HD132450WR	HD132450GR	20 pcs
500	HD132500WL	HD132500GL	HD132500WR	HD132500GR	20 pcs
550	HD132550WL	HD132550GL	HD132550WR	HD132550GR	20 pcs

Drawer side H167



NL	Left side		Right side		Package
	White	Grey	White	Grey	
270	HD133270WL	HD133270GL	HD133270WR	HD133270GR	20 pcs
300	HD133300WL	HD133300GL	HD133300WR	HD133300GR	20 pcs
350	HD133350WL	HD133350GL	HD133350WR	HD133350GR	20 pcs
400	HD133400WL	HD133400GL	HD133400WR	HD133400GR	20 pcs
450	HD133450WL	HD133450GL	HD133450WR	HD133450GR	20 pcs
500	HD133500WL	HD133500GL	HD133500WR	HD133500GR	20 pcs
550	HD133550WL	HD133550GL	HD133550WR	HD133550GR	20 pcs

Drawer side H199



NL	Left side		Right side		Package
	White	Grey	White	Grey	
270	HD134270WL	HD134270GL	HD134270WR	HD134270GR	20 pcs
300	HD134300WL	HD134300GL	HD134300WR	HD134300GR	20 pcs
350	HD134350WL	HD134350GL	HD134350WR	HD134350GR	20 pcs
400	HD134400WL	HD134400GL	HD134400WR	HD134400GR	20 pcs
450	HD134450WL	HD134450GL	HD134450WR	HD134450GR	20 pcs
500	HD134500WL	HD134500GL	HD134500WR	HD134500GR	20 pcs
550	HD134550WL	HD134550GL	HD134550WR	HD134550GR	20 pcs

H box

Industrail package

Drawer glass side H84



NL	Left side		Right side		Package
	White	Grey	White	Grey	
270	HD632270WL	HD632270GL	HD632270WR	HD632270GR	20 pcs
300	HD632300WL	HD632300GL	HD632300WR	HD632300GR	20 pcs
350	HD632350WL	HD632350GL	HD632350WR	HD632350GR	20 pcs
400	HD632400WL	HD632400GL	HD632400WR	HD632400GR	20 pcs
450	HD632450WL	HD632450GL	HD632450WR	HD632450GR	20 pcs
500	HD632500WL	HD632500GL	HD632500WR	HD632500GR	20 pcs
550	HD632550WL	HD632550GL	HD632550WR	HD632550GR	20 pcs

Drawer glass side H167



NL	Left side		Right side		Package
	White	Grey	White	Grey	
270	HD150270WL	HD150270GL	HD150270WR	HD150270GR	20 pcs
300	HD150300WL	HD150300GL	HD150300WR	HD150300GR	20 pcs
350	HD150350WL	HD150350GL	HD150350WR	HD150350GR	20 pcs
400	HD150400WL	HD150400GL	HD150400WR	HD150400GR	20 pcs
450	HD150450WL	HD150450GL	HD150450WR	HD150450GR	20 pcs
500	HD150500WL	HD150500GL	HD150500WR	HD150500GR	20 pcs
550	HD150550WL	HD150550GL	HD150550WR	HD150550GR	20 pcs

Drawer glass side H199



NL	Left side		Right side		Package
	White	Grey	White	Grey	
270	HD183270WL	HD183270GL	HD183270WR	HD183270GR	20 pcs
300	HD183300WL	HD183300GL	HD183300WR	HD183300GR	20 pcs
350	HD183350WL	HD183350GL	HD183350WR	HD183350GR	20 pcs
400	HD183400WL	HD183400GL	HD183400WR	HD183400GR	20 pcs
450	HD183450WL	HD183450GL	HD183450WR	HD183450GR	20 pcs
500	HD183500WL	HD183500GL	HD183500WR	HD183500GR	20 pcs
550	HD183550WL	HD183550GL	HD183550WR	HD183550GR	20 pcs

Drawer slide



NL	Left side		Right side		Package
	Soft-close	Push-open	Soft-close	Push-open	
270	HS130270L	HP130270L	HS130270R	HP130270R	20 pcs
300	HS130300L	HP130300L	HS130300R	HP130300R	20 pcs
350	HS130350L	HP130350L	HS130350R	HP130350R	20 pcs
400	HS130400L	HP130400L	HS130400R	HP130400R	20 pcs
450	HS130450L	HP130450L	HS130450R	HP130450R	20 pcs
500	HS130500L	HP130500L	HS130500R	HP130500R	20 pcs
550	HS130550L	HP130550L	HS130550R	HP130550R	20 pcs

H box

Industrail package

Rear bracket

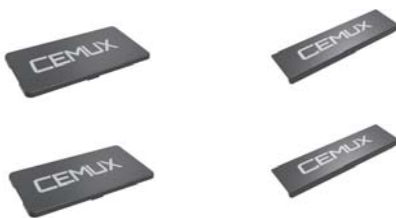


H	White	Grey	Package
84	HR130068W	HR130068G	100 pair
116	HR130100W	HR130100G	50 pair
167	HR130151W	HR130151G	50 pair
199	HR130183W	HR130183G	50 pair

Cover caps

Internal

External



Internal cover cap	White	Grey	Package
CEMUX LOGO	HC1301W	HC1301G	100 pair
Blank	HC1300W	HC1300G	100 pair
External cover cap	White	Grey	Package
CEMUX LOGO	HC1311W	HC1311G	100 pair
Blank	HC1310W	HC1310G	100 pair

Side square rail



NL	Screw-in		10mm dowel		Package
	White	Grey	White	Grey	
270	HF130270W	HF130270G	HF130270WD	HF130270GD	20 pair
300	HF130300W	HF130300G	HF130300WD	HF130300GD	20 pair
350	HF130350W	HF130350G	HF130350WD	HF130350GD	20 pair
400	HF130400W	HF130400G	HF130400WD	HF130400GD	20 pair
450	HF130450W	HF130450G	HF130450WD	HF130450GD	20 pair
500	HF130500W	HF130500G	HF130500WD	HF130500GD	20 pair
550	HF130550W	HF130550G	HF130550WD	HF130550GD	20 pair

Plastic rear bracket



White	Grey	Package
HBH20W	HBH20G	100 pair

- * Free fixing positioning at any height to the wooden back panel
- * Assembling with side square rail

H box

Industrail package

Front bracket-H84 & H116



H	Screw-in	10mm dowel	Package
84 & 116	HF131200S	HF131200DS	200 pair

Front bracket-H167 & H199



H	Screw-in	10mm dowel	Package
167 & 199	HF131400S	HF131400DS	50 pair

Front panel fixing position support



H84 & H116	Package
HFP0100	200 pair
H167 & H199	Package
HFP0300	100 pair

H box

Industrail package

Steel back panel



H	White	Grey	Package
84	HP130068W	HP130068G	20 pcs
116	HP130100W	HP130100G	20 pcs
167	HP130151W	HP130151G	20 pcs
199	HP130183W	HP130183G	20 pcs

* Widths is from 300-1200mm; according to request

* Widths is LW-87mm

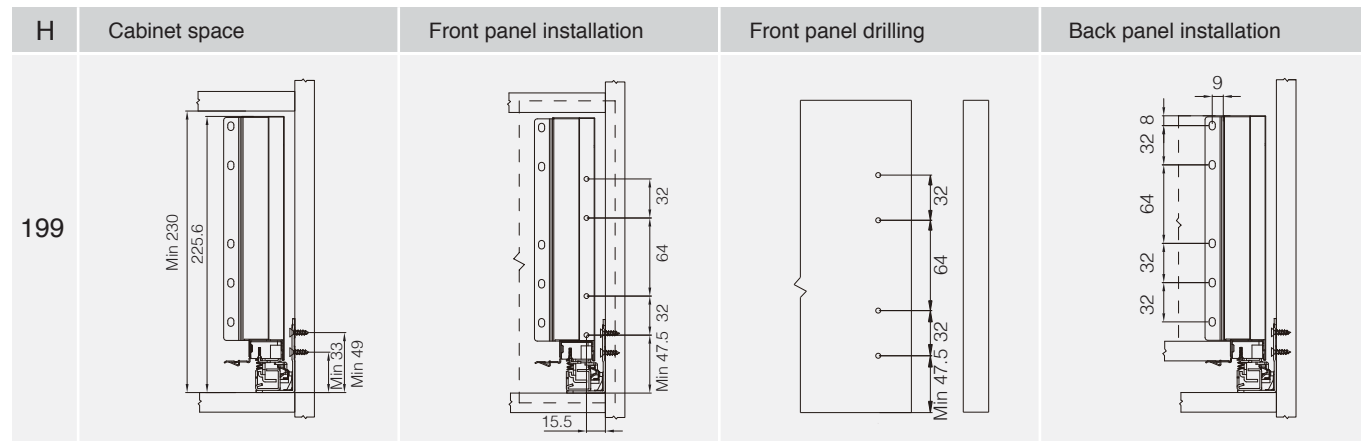
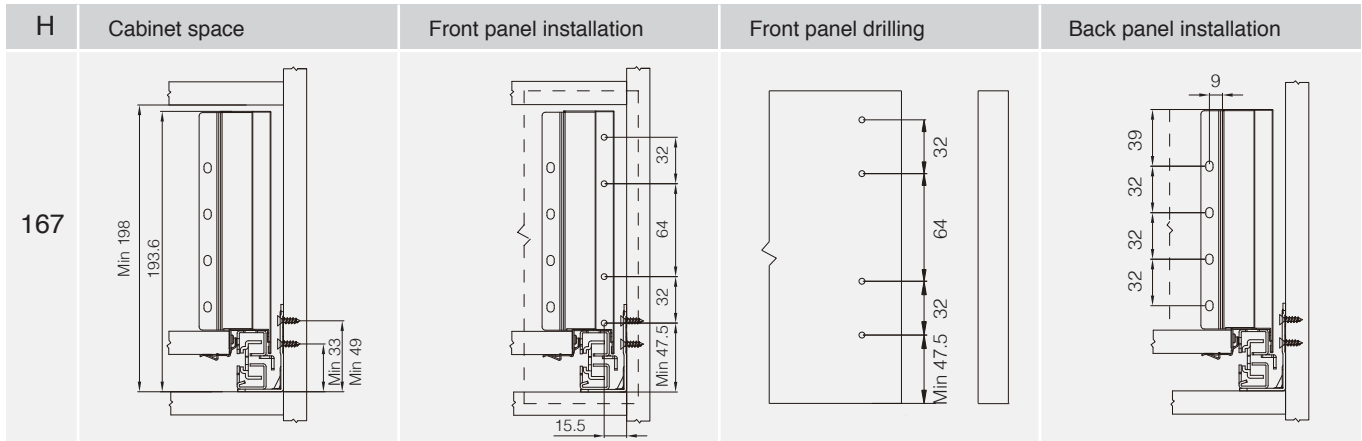
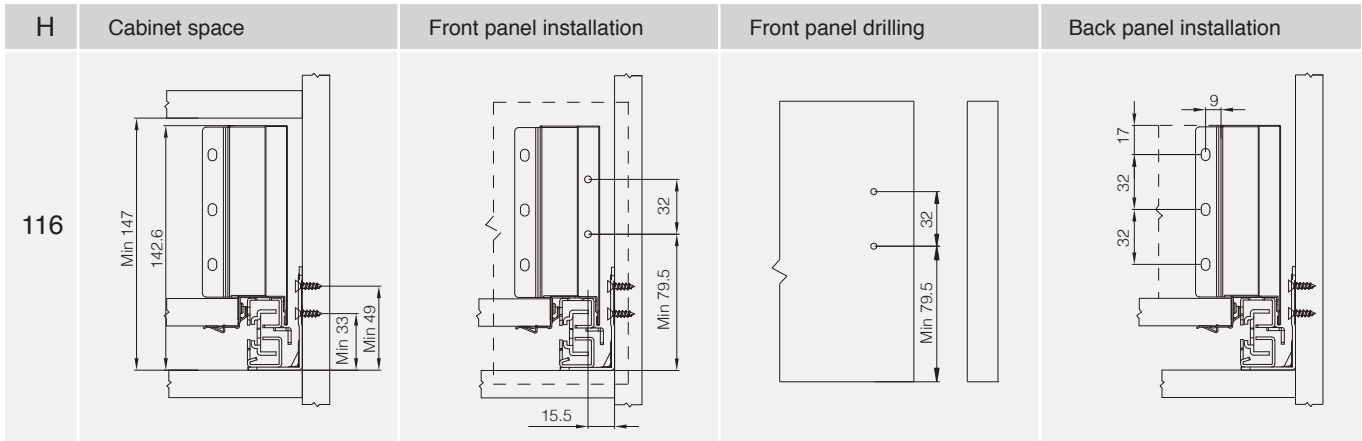
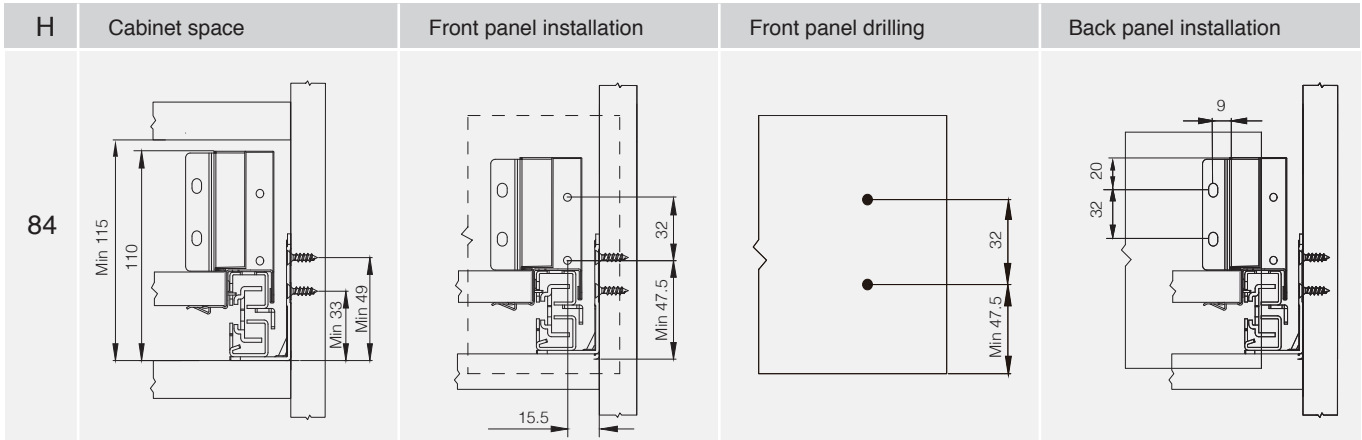
Divider 25mm



Grey	Package
HS25G	50 pair

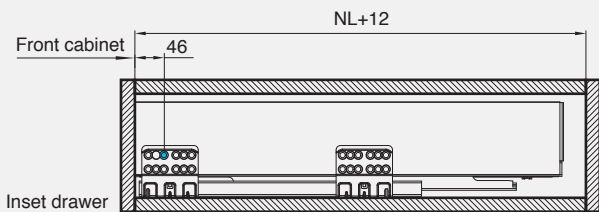
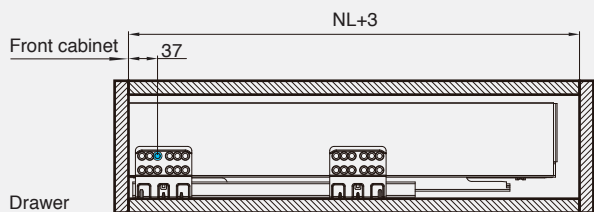
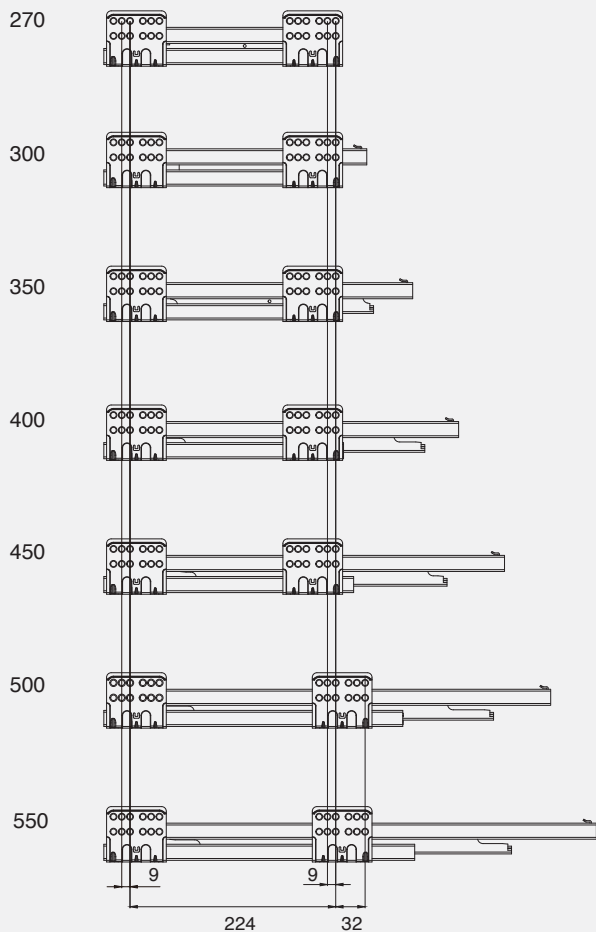
* Save hinge height

Technical information - How to confirm the hole position

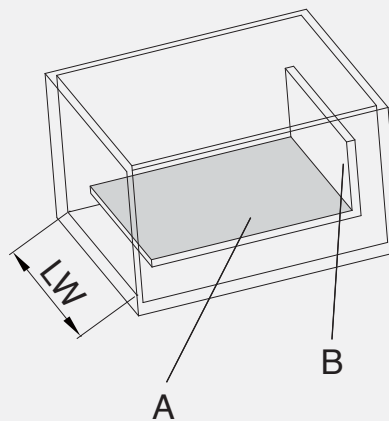


Technical information - How to confirm the slide hole position & cutting dimensions

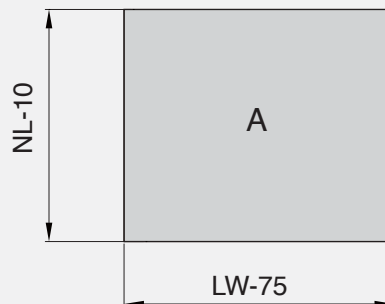
Fixing positions for drawer slides



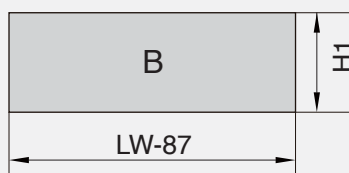
Cutting dimensions



Bottom panel cutting dimension



Back panel cutting dimension



H	H1
84	68
116	100
167	151
199	183

Legend

LW Internal cabinet width

L Length

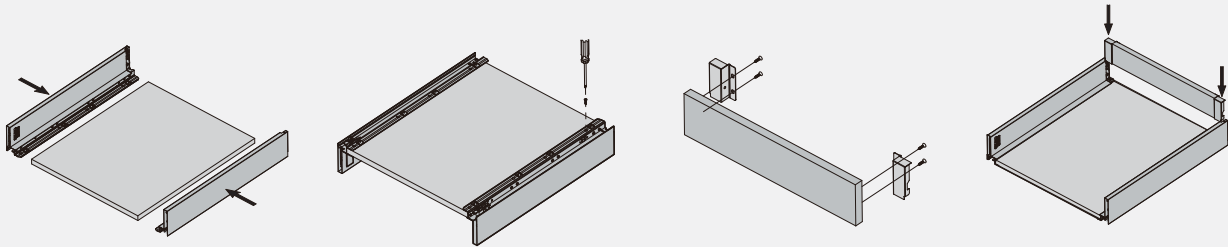
NL Nominal length

KB Cabinet width

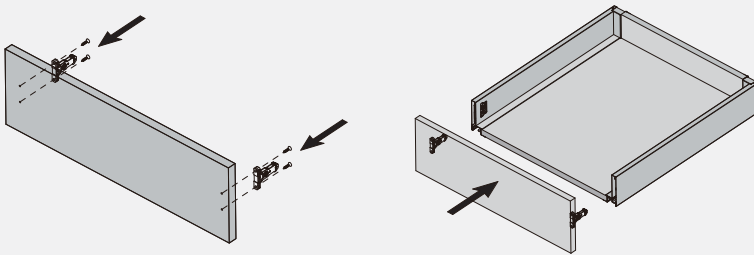
H box

Installation information

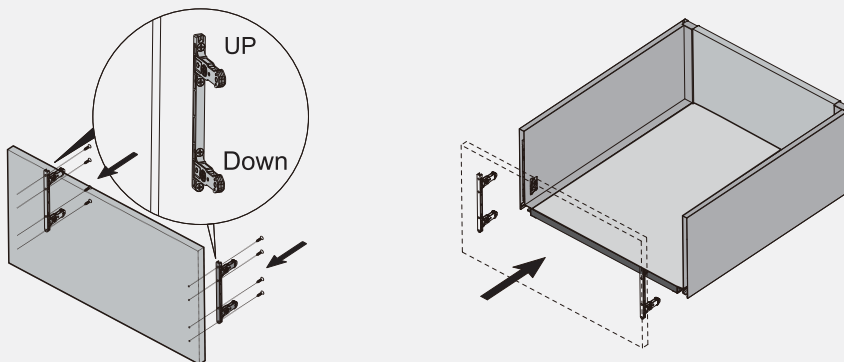
Install drawer



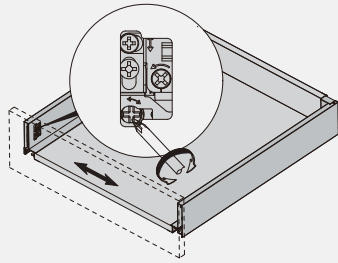
Install H84 & H116 panel



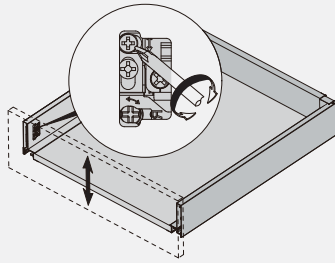
Install H167 & H199 panel



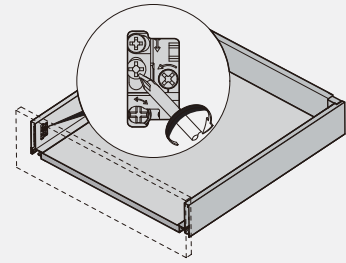
Adjustment



Left/right adjustment $\pm 1.5\text{mm}$

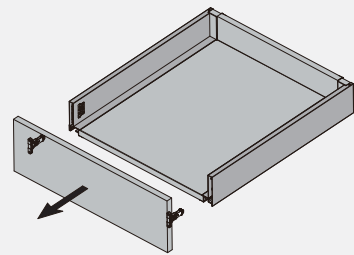
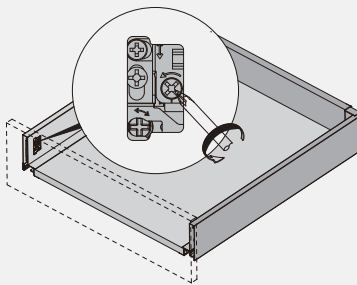
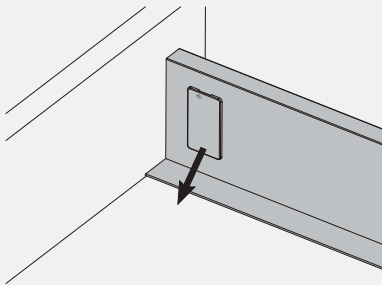


Up/down adjustment $\pm 2\text{mm}$

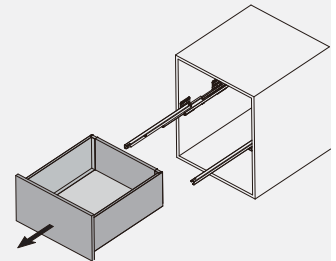
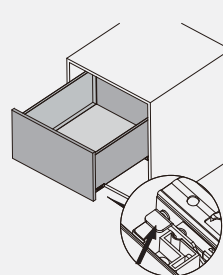
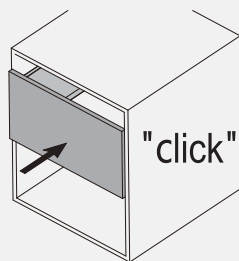
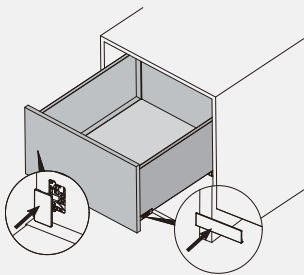


Lock

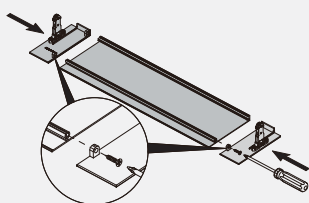
Lock and remove panel



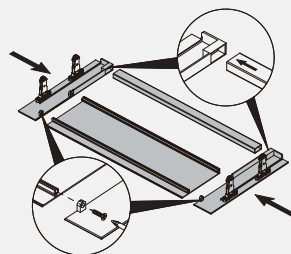
Install and remove the drawer



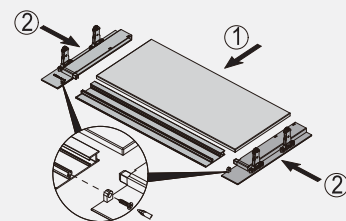
Install inner drawer front panel



H84 height



H167&H199 height



H167&H199 height

**MAX SPACE OF DRAWER
AND VARIETY OF MOTION
- F BOX**

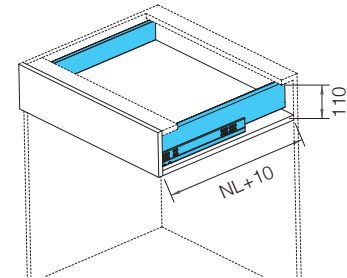


F box - 83mm height

Drawer H83; Soft-close; 3D adjustment



- Slim wall
- Soft-close
- Full extension
- 83 mm drawer height
- ±2mm up & down adjustment;
- ±1.5mm left & right adjustment
- 3mm depth adjustment
- Length from 300-550mm
- Loading capacity is 35 KG



Kit package

Components	NL	White	Grey	Package
	300	F5101-300W	F5101-300G	6 sets
	350	F5101-350W	F5101-350G	6 sets
	400	F5101-400W	F5101-400G	6 sets
	450	F5101-450W	F5101-450G	6 sets
	500	F5101-500W	F5101-500G	6 sets
	550	F5101-550W	F5101-550G	6 sets

* If customer need 10mm dowel on the front bracket, plus DS on the code; Example: F5101-300W to F5101DS-300W

Industrial package

Drawer side	NL	White		Grey		Package
		Left slide	Right slide	Left slide	Right slide	
	300	F510300WL	F510300WR	F510300GL	F510300GR	20 pcs
	350	F510350WL	F510350WR	F510350GL	F510350GR	20 pcs
	400	F510400WL	F510400WR	F510400GL	F510400GR	20 pcs
	450	F510450WL	F510450WR	F510450GL	F510450GR	20 pcs
	500	F510500WL	F510500WR	F510500GL	F510500GR	20 pcs
	550	F510550WL	F510550WR	F510550GL	F510550GR	20 pcs

Drawer slide	NL	Left slide	Right slide	Package
	300	R213300SL	R213300SR	20 pcs
	350	R213350SL	R213350SR	20 pcs
	400	R213400SL	R213400SR	20 pcs
	450	R213450SL	R213450SR	20 pcs
	500	R213500SL	R213500SR	20 pcs
	550	R213550SL	R213550SR	20 pcs

Front bracket	Screw-on	10mm dowel	Package
	F13510	F13510DS	400 pcs

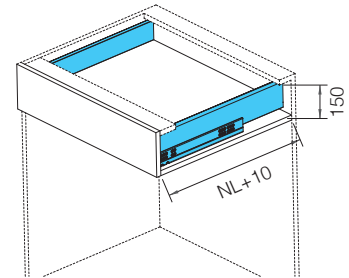
Cover caps	White	Grey	Package
	FC51W	FC51G	400 pcs

F box - 117mm height

Drawer H117; Soft-close; 3D adjustment



- Slim wall
- Soft-close
- Full extension
- 117 mm drawer height
- ± 2 mm up & down adjustment;
- ± 1.5 mm left & right adjustment
- 3mm depth adjustment
- Length from 300-550mm
- Loading capacity is 35 KG



Kit package

Components	NL	White	Grey	Package
	300	F5102-300W	F5102-300G	6 sets
	350	F5102-350W	F5102-350G	6 sets
	400	F5102-400W	F5102-400G	6 sets
	450	F5102-450W	F5102-450G	6 sets
	500	F5102-500W	F5102-500G	6 sets
	550	F5102-550W	F5102-550G	6 sets

* If customer need 10mm dowel on the front bracket, plus DS on the code; Example: F5102-300W to F5102DS-300W

Industrial package

Drawer side	NL	White		Grey		Package
		Left slide	Right slide	Left slide	Right slide	
	300	F520300WL	F520300WR	F520300GL	F520300GR	20 pcs
	350	F520350WL	F520350WR	F520350GL	F520350GR	20 pcs
	400	F520400WL	F520400WR	F520400GL	F520400GR	20 pcs
	450	F520450WL	F520450WR	F520450GL	F520450GR	20 pcs
	500	F520500WL	F520500WR	F520500GL	F520500GR	20 pcs
	550	F520550WL	F520550WR	F520550GL	F520550GR	20 pcs

Drawer slide	NL	Left slide	Right slide	Package
	300	R213300SL	R213300SR	20 pcs
	350	R213350SL	R213350SR	20 pcs
	400	R213400SL	R213400SR	20 pcs
	450	R213450SL	R213450SR	20 pcs
	500	R213500SL	R213500SR	20 pcs
	550	R213550SL	R213550SR	20 pcs

Front bracket	Screw-on	10mm dowel	Package
	F13520	F13520DS	400 pcs

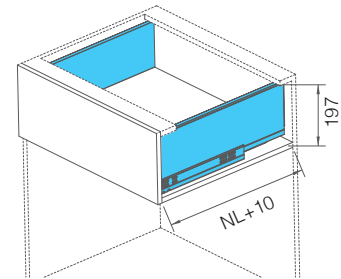
Cover caps	White	Grey	Package
	FC51W	FC51G	400 pcs

F box - 164mm height

Drawer H164; Soft-close; 3D adjustment



- Slim wall
- Soft-close
- Full extension
- 164 mm drawer height
- ±2mm up & down adjustment;
- ±1.5mm left & right adjustment
- 3mm depth adjustment
- Length from 300-550mm
- Loading capacity is 35 KG



Kit package

Components	NL	White	Grey	Package
	300	F5103-300W	F5103-300G	6 sets
	350	F5103-350W	F5103-350G	6 sets
	400	F5103-400W	F5103-400G	6 sets
	450	F5103-450W	F5103-450G	6 sets
	500	F5103-500W	F5103-500G	6 sets
	550	F5103-550W	F5103-550G	6 sets

* If customer need 10mm dowel on the front bracket, plus DS on the code; Example: F5103-300W to F5103DS-300W

Industrial package

Drawer side	NL	White		Grey		Package
		Left slide	Right slide	Left slide	Right slide	
	300	F530300WL	F530300WR	F530300GL	F530300GR	20 pcs
	350	F530350WL	F530350WR	F530350GL	F530350GR	20 pcs
	400	F530400WL	F530400WR	F530400GL	F530400GR	20 pcs
	450	F530450WL	F530450WR	F530450GL	F530450GR	20 pcs
	500	F530500WL	F530500WR	F530500GL	F530500GR	20 pcs
	550	F530550WL	F530550WR	F530550GL	F530550GR	20 pcs

Drawer slide	NL	Left slide	Right slide	Package
	300	R213300SL	R213300SR	20 pcs
	350	R213350SL	R213350SR	20 pcs
	400	R213400SL	R213400SR	20 pcs
	450	R213450SL	R213450SR	20 pcs
	500	R213500SL	R213500SR	20 pcs
	550	R213550SL	R213550SR	20 pcs

Front bracket	Screw-on	10mm dowel	Package
	F13530	F13530DS	200 pcs

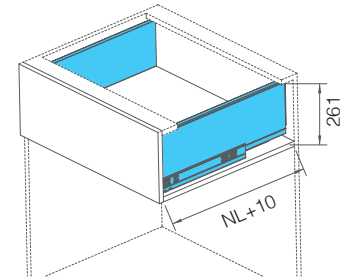
Cover caps	White	Grey	Package
	FC51W	FC51G	400 pcs

F box - 228mm height

Drawer H228; Soft-close; 3D adjustment



- Slim wall
- Soft-close
- Full extension
- 228 mm drawer height
- ± 2 mm up & down adjustment;
- ± 1.5 mm left & right adjustment
- 3mm depth adjustment
- Length from 300-550mm
- Loading capacity is 35 KG



Kit package

Components	NL	White	Grey	Package
	300	F5104-300W	F5104-300G	6 sets
	350	F5104-350W	F5104-350G	6 sets
	400	F5104-400W	F5104-400G	6 sets
	450	F5104-450W	F5104-450G	6 sets
	500	F5104-500W	F5104-500G	6 sets
	550	F5104-550W	F5104-550G	6 sets

* If customer need 10mm dowel on the front bracket, plus DS on the code; Example: F5104-300W to F5104DS-300W

Industrial package

Drawer side	NL	White		Grey		Package
		Left slide	Right slide	Left slide	Right slide	
	300	F540300WL	F540300WR	F540300GL	F540300GR	20 pcs
	350	F540350WL	F540350WR	F540350GL	F540350GR	20 pcs
	400	F540400WL	F540400WR	F540400GL	F540400GR	20 pcs
	450	F540450WL	F540450WR	F540450GL	F540450GR	20 pcs
	500	F540500WL	F540500WR	F540500GL	F540500GR	20 pcs
	550	F540550WL	F540550WR	F540550GL	F540550GR	20 pcs

Drawer slide	NL	Left slide	Right slide	Package
	300	R213300SL	R213300SR	20 pcs
	350	R213350SL	R213350SR	20 pcs
	400	R213400SL	R213400SR	20 pcs
	450	R213450SL	R213450SR	20 pcs
	500	R213500SL	R213500SR	20 pcs
	550	R213550SL	R213550SR	20 pcs

Front bracket	Screw-on	10mm dowel	Package
	F13540	F13540DS	200 pcs

Cover caps	White	Grey	Package
	FC51W	FC51G	400 pcs

F box - Handle-free solution

Push-open mechanism; Synchronisation rod

Push-open mechanism



- Push-open mechanism
- Fit up to soft-closing slide (R213 series)
- Easy installation

NL	Item No.	Package
350	RA80-350	10 sets
400	RA80-400	10 sets
450	RA80-450	10 sets
500	RA80-500	10 sets
550	RA80-550	10 sets

Synchronisation rod



- Synchronisation rod
- Standard length is 1000mm
- Customized : Internal width - 330mm

Item No.	Package
R1131000	10 sets

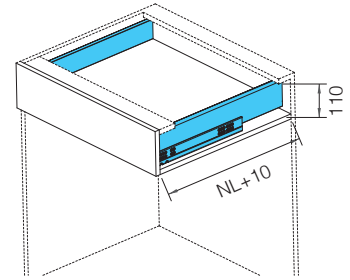


F box - 83mm height

Drawer H83; Push-open; 2D adjustment



- Slim wall
- Push-open
- Full extension
- 83mm drawer height
- ±2mm up & down adjustment;
- ±1.5mm left & right adjustment
- Length from 300-550mm
- Loading capacity is 35 KG



Kit package

Components	NL	White	Grey	Package
	300	F5201-300W	F5201-300G	6 sets
	350	F5201-350W	F5201-350G	6 sets
	400	F5201-400W	F5201-400G	6 sets
	450	F5201-450W	F5201-450G	6 sets
	500	F5201-500W	F5201-500G	6 sets
	550	F5201-550W	F5201-550G	6 sets

* If customer need 10mm dowel on the front bracket, plus DS on the code; Example: F5101-300W to F5101DS-300W

Industrial package

Drawer side	NL	White		Grey		Package
		Left slide	Right slide	Left slide	Right slide	
	300	F510300WL	F510300WR	F510300GL	F510300GR	20 pcs
	350	F510350WL	F510350WR	F510350GL	F510350GR	20 pcs
	400	F510400WL	F510400WR	F510400GL	F510400GR	20 pcs
	450	F510450WL	F510450WR	F510450GL	F510450GR	20 pcs
	500	F510500WL	F510500WR	F510500GL	F510500GR	20 pcs
	550	F510550WL	F510550WR	F510550GL	F510550GR	20 pcs

Drawer slide	NL	Left slide	Right slide	Package
	300	R312300SL	R312300SR	20 pcs
	350	R312350SL	R312350SR	20 pcs
	400	R312400SL	R312400SR	20 pcs
	450	R312450SL	R312450SR	20 pcs
	500	R312500SL	R312500SR	20 pcs
	550	R312550SL	R312550SR	20 pcs

Front bracket	Screw-on	10mm dowel	Package
	F13510	F13510DS	400 pcs

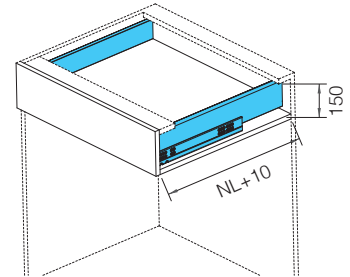
Cover caps	White	Grey	Package
	FC51W	FC51G	400 pcs

F box - 117mm height

Drawer H117; Push-open; 2D adjustment



- Slim wall
- Push-open
- Full extension
- 117mm drawer height
- ±2mm up & down adjustment;
- ±1.5mm left & right adjustment
- Length from 300-550mm
- Loading capacity is 35 KG



Kit package

Components	NL	White	Grey	Package
	300	F5202-300W	F5202-300G	6 sets
	350	F5202-350W	F5202-350G	6 sets
	400	F5202-400W	F5202-400G	6 sets
	450	F5202-450W	F5202-450G	6 sets
	500	F5202-500W	F5202-500G	6 sets
	550	F5202-550W	F5202-550G	6 sets

* If customer need 10mm dowel on the front bracket, plus DS on the code; Example: F5202-300W to F5202DS-300W

Industrial package

Drawer side	NL	White		Grey		Package
		Left slide	Right slide	Left slide	Right slide	
	300	F520300WL	F520300WR	F520300GL	F520300GR	20 pcs
	350	F520350WL	F520350WR	F520350GL	F520350GR	20 pcs
	400	F520400WL	F520400WR	F520400GL	F520400GR	20 pcs
	450	F520450WL	F520450WR	F520450GL	F520450GR	20 pcs
	500	F520500WL	F520500WR	F520500GL	F520500GR	20 pcs
	550	F520550WL	F520550WR	F520550GL	F520550GR	20 pcs

Drawer slide	NL	Left slide	Right slide	Package
	300	R312300SL	R312300SR	20 pcs
	350	R312350SL	R312350SR	20 pcs
	400	R312400SL	R312400SR	20 pcs
	450	R312450SL	R312450SR	20 pcs
	500	R312500SL	R312500SR	20 pcs
	550	R312550SL	R312550SR	20 pcs

Front bracket	Screw-on	10mm dowel	Package
	F13520	F13520DS	400 pcs

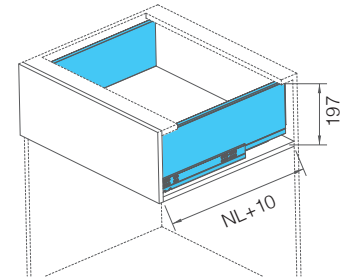
Cover caps	White	Grey	Package
	FC51W	FC51G	400 pcs

F box - 164mm height

Drawer H164; Push-open; 2D adjustment



- Slim wall
- Push-open
- Full extension
- 164mm drawer height
- ± 2 mm up & down adjustment;
- ± 1.5 mm left & right adjustment
- Length from 300-550mm
- Loading capacity is 35 KG



Kit package

Components	NL	White	Grey	Package
	300	F5203-300W	F5203-300G	6 sets
	350	F5203-350W	F5203-350G	6 sets
	400	F5203-400W	F5203-400G	6 sets
	450	F5203-450W	F5203-450G	6 sets
	500	F5203-500W	F5203-500G	6 sets
	550	F5203-550W	F5203-550G	6 sets

* If customer need 10mm dowel on the front bracket, plus DS on the code; Example: F5203-300W to F5203DS-300W

Industrial package

Drawer side	NL	White		Grey		Package
		Left slide	Right slide	Left slide	Right slide	
	300	F530300WL	F530300WR	F530300GL	F530300GR	20 pcs
	350	F530350WL	F530350WR	F530350GL	F530350GR	20 pcs
	400	F530400WL	F530400WR	F530400GL	F530400GR	20 pcs
	450	F530450WL	F530450WR	F530450GL	F530450GR	20 pcs
	500	F530500WL	F530500WR	F530500GL	F530500GR	20 pcs
	550	F530550WL	F530550WR	F530550GL	F530550GR	20 pcs

Drawer slide	NL	Left slide	Right slide	Package
	300	R312300SL	R312300SR	20 pcs
	350	R312350SL	R312350SR	20 pcs
	400	R312400SL	R312400SR	20 pcs
	450	R312450SL	R312450SR	20 pcs
	500	R312500SL	R312500SR	20 pcs
	550	R312550SL	R312550SR	20 pcs

Front bracket	Screw-on	10mm dowel	Package
	F13530	F13530DS	200 pcs

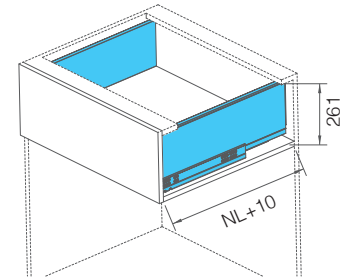
Cover caps	White	Grey	Package
	FC51W	FC51G	400 pcs

F box - 228mm height

Drawer H228; Push-open; 2D adjustment



- Slim wall
- Push-open
- Full extension
- 228mm drawer height
- ±2mm up & down adjustment;
- ±1.5mm left & right adjustment
- Length from 300-550mm
- Loading capacity is 35 KG



Kit package

Components	NL	White	Grey	Package
	300	F5204-300W	F5204-300G	6 sets
	350	F5204-350W	F5204-350G	6 sets
	400	F5204-400W	F5204-400G	6 sets
	450	F5204-450W	F5204-450G	6 sets
	500	F5204-500W	F5204-500G	6 sets
	550	F5204-550W	F5204-550G	6 sets

* If customer need 10mm dowel on the front bracket, plus DS on the code; Example: F5204-300W to F5204DS-300W

Industrial package

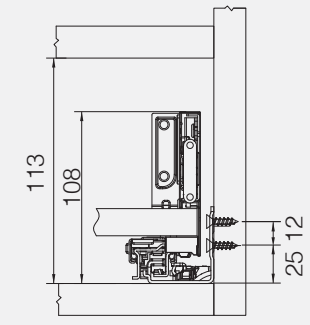
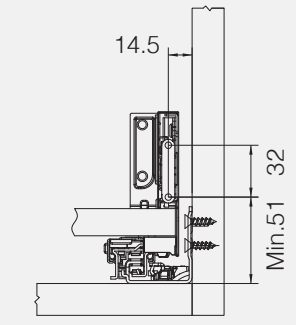
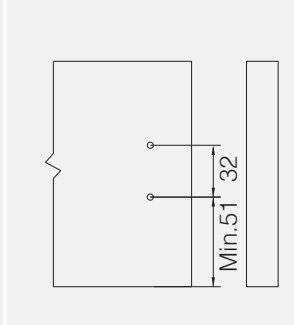
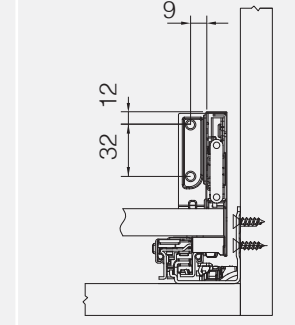
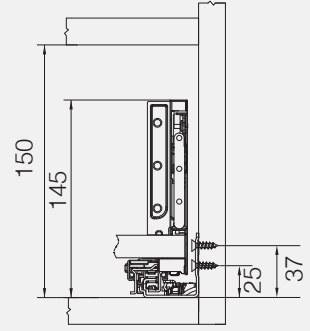
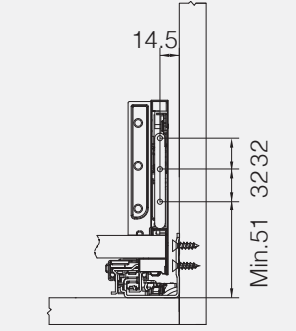
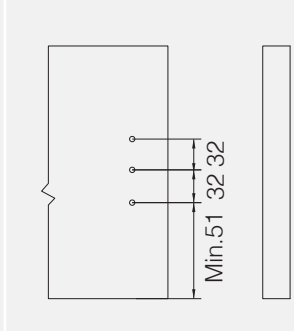
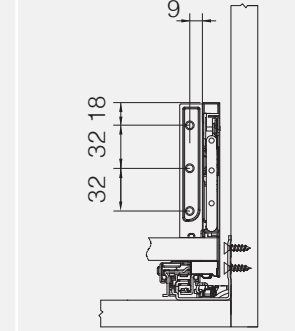
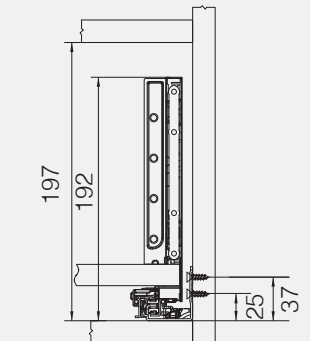
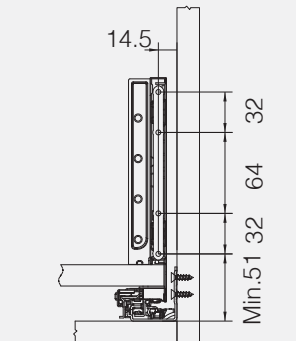
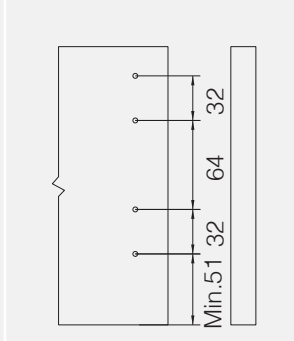
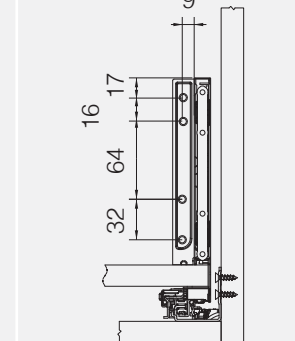
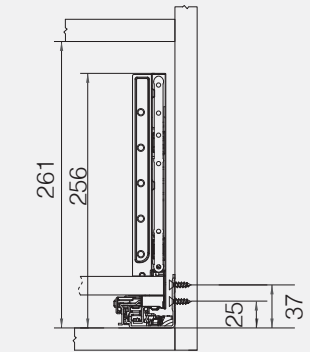
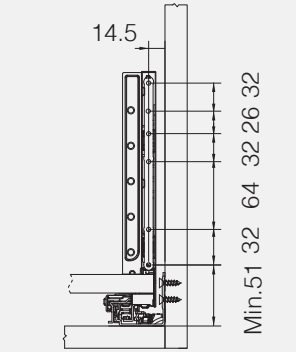
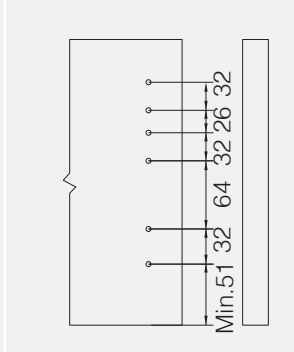
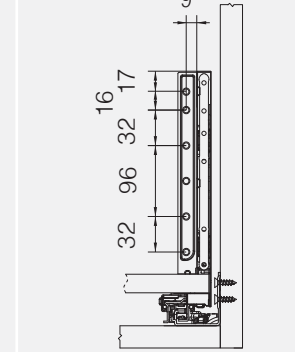
Drawer side	NL	White		Grey		Package
		Left slide	Right slide	Left slide	Right slide	
	300	F540300WL	F540300WR	F540300GL	F540300GR	20 pcs
	350	F540350WL	F540350WR	F540350GL	F540350GR	20 pcs
	400	F540400WL	F540400WR	F540400GL	F540400GR	20 pcs
	450	F540450WL	F540450WR	F540450GL	F540450GR	20 pcs
	500	F540500WL	F540500WR	F540500GL	F540500GR	20 pcs
	550	F540550WL	F540550WR	F540550GL	F540550GR	20 pcs

Drawer slide	NL	Left slide	Right slide	Package
	300	R312300SL	R312300SR	20 pcs
	350	R312350SL	R312350SR	20 pcs
	400	R312400SL	R312400SR	20 pcs
	450	R312450SL	R312450SR	20 pcs
	500	R312500SL	R312500SR	20 pcs
	550	R312550SL	R312550SR	20 pcs

Front bracket	Screw-on	10mm dowel	Package
	F13540	F13540DS	200 pcs

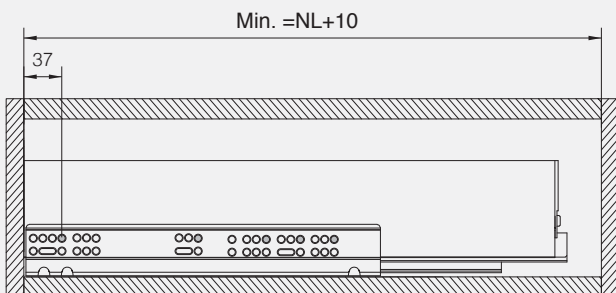
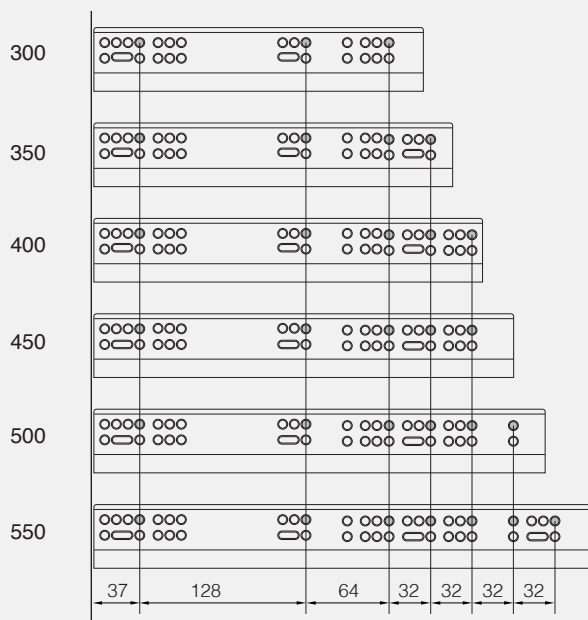
Cover caps	White	Grey	Package
	FC51W	FC51G	400 pcs

Technical information - How to confirm the hole position

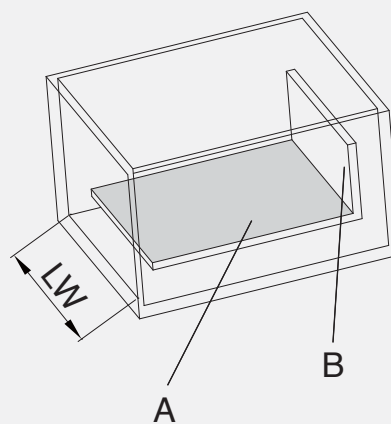
H	Cabinet space	Front panel installation	Front panel drilling	Back panel installation
84				
117				
164				
228				

Technical information - How to confirm the slide hole position & cutting dimensions

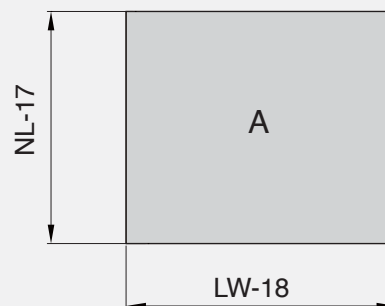
Fixing positions for drawer slides



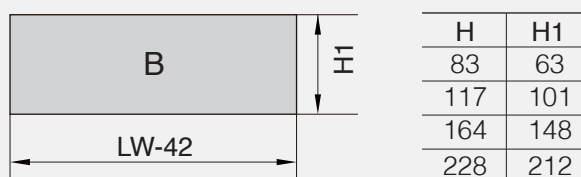
Cutting dimensions for 16mm MDF



Bottom panel cutting dimension



Back panel cutting dimension



* Front panel recommend

Width $\leq 1200\text{mm}$
Height $\leq 400\text{mm}$

Legend

LW Internal cabinet width L Length
NL Nominal length KB Cabinet width

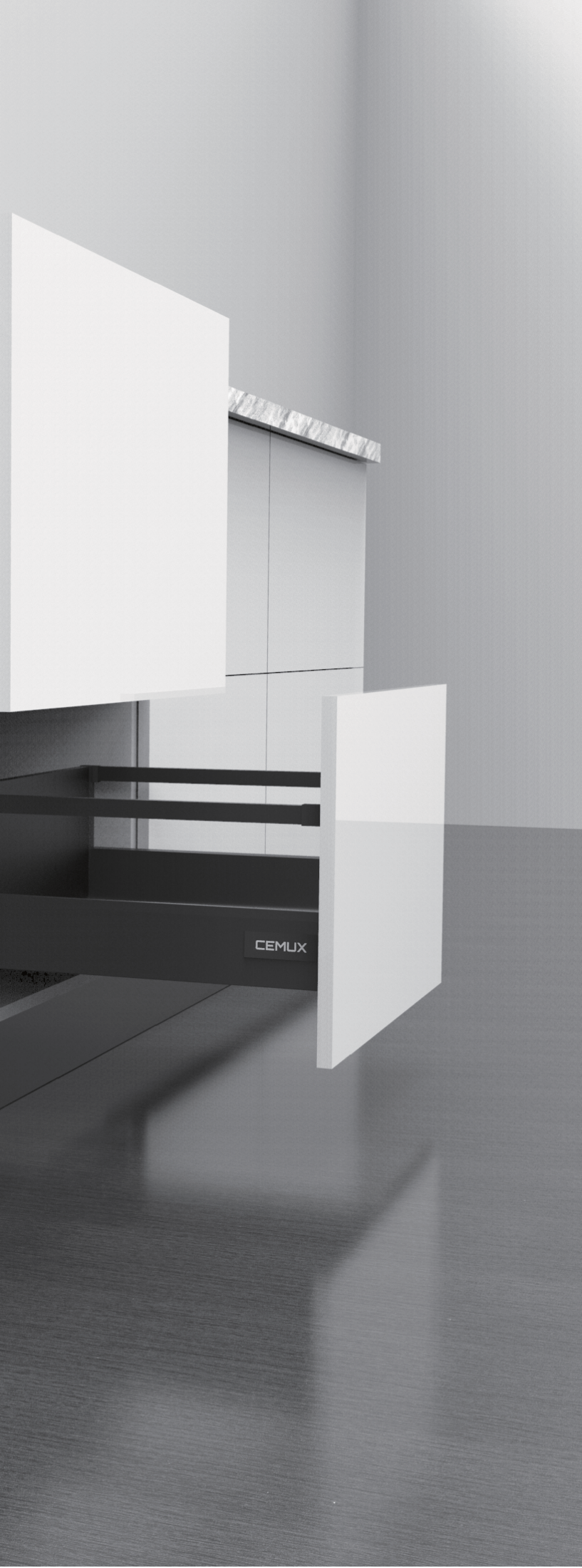


CEMUX

CEMUX

CEMUX

CEMUX



**DOUBLE WALL
DRAWER
BOX FROM
CEMUX - A BOX**

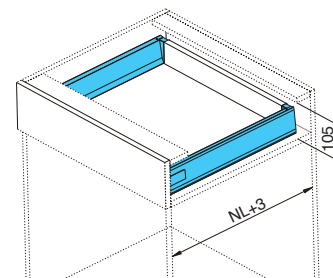
LIVE YOUR LIFE | CEMUX.CO.UK

A box-H84

Double wall drawer side - A3201



- Double wall
- Soft-close
- Full extension
- 84 mm drawer height
- ± 2 mm up & down adjustment;
- ± 1.5 mm left & right adjustment
- Length from 270-550mm
- Cycles with loading 40kg is 100,000
- Loading capacity is 40kg



Components	NL	Soft-close		Push-open		Package
		White	Grey	White	Grey	
	270	A3201-270W	A3201-270G	A3201-270PW	A3201-270PG	6 sets
	300	A3201-300W	A3201-300G	A3201-300PW	A3201-300PG	6 sets
	350	A3201-350W	A3201-350G	A3201-350PW	A3201-350PG	6 sets
	400	A3201-400W	A3201-400G	A3201-400PW	A3201-400PG	6 sets
	450	A3201-450W	A3201-450G	A3201-450PW	A3201-450PG	6 sets
	500	A3201-500W	A3201-500G	A3201-500PW	A3201-500PG	6 sets
	550	A3201-550W	A3201-550G	A3201-550PW	A3201-550PG	6 sets

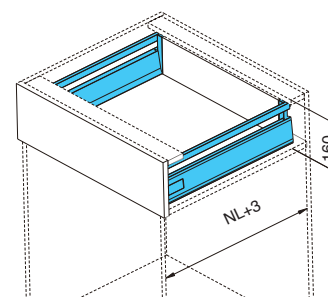
* One set included one pair of slides, sides, rear brackets, front brackets and cover caps

A box-H135

Double wall drawer side with square rail - A3202



- Double wall
- Soft-close
- Full extension
- 135 mm drawer height
- ± 2 mm up & down adjustment;
- ± 1.5 mm left & right adjustment
- Length from 270-550mm
- Cycles with loading 40kg is 100,000
- Loading capacity is 40KG



Components	NL	Soft-close		Push-open		Package
		White	Grey	White	Grey	
	270	A3202-270W	A3202-270G	A3202-270PW	A3202-270PG	6 sets
	300	A3202-300W	A3202-300G	A3202-300PW	A3202-300PG	6 sets
	350	A3202-350W	A3202-350G	A3202-350PW	A3202-350PG	6 sets
	400	A3202-400W	A3202-400G	A3202-400PW	A3202-400PG	6 sets
	450	A3202-450W	A3202-450G	A3202-450PW	A3202-450PG	6 sets
	500	A3202-500W	A3202-500G	A3202-500PW	A3202-500PG	6 sets
	550	A3202-550W	A3202-550G	A3202-550PW	A3202-550PG	6 sets

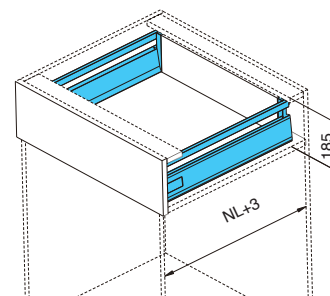
* One set included one pair of slides, sides, rear brackets, front brackets, side rail and cover caps

A box-H167

Double wall drawer side with square rail - A3203



- Double wall
- Soft-close
- Full extension
- 167 mm drawer height
- ± 2 mm up & down adjustment;
- ± 1.5 mm left & right adjustment
- Length from 270-550mm
- Cycles with loading 40kg is 100,000
- Loading capacity is 40KG



Components	NL	Soft-close		Push-open		Package
		White	Grey	White	Grey	
	270	A3203-270W	A3203-270G	A3203-270PW	A3203-270PG	6 sets
	300	A3203-300W	A3203-300G	A3203-300PW	A3203-300PG	6 sets
	350	A3203-350W	A3203-350G	A3203-350PW	A3203-350PG	6 sets
	400	A3203-400W	A3203-400G	A3203-400PW	A3203-400PG	6 sets
	450	A3203-450W	A3203-450G	A3203-450PW	A3203-450PG	6 sets
	500	A3203-500W	A3203-500G	A3203-500PW	A3203-500PG	6 sets
	550	A3203-550W	A3203-550G	A3203-550PW	A3203-550PG	6 sets

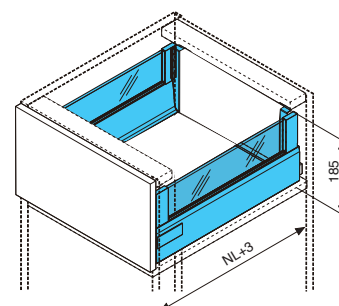
* One set included one pair of slides, sides, rear brackets, front brackets, side rails and cover caps

A box-H167

Double wall drawer side with glass panel - A3243



- Double wall
- Soft-close
- Full extension
- 167 mm drawer height
- ± 2 mm up & down adjustment;
- ± 1.5 mm left & right adjustment
- Length from 350-550mm
- Cycles with loading 40kg is 100,000
- Loading capacity is 40KG



Components	NL	Soft-close		Push-open		Package
		White	Grey	White	Grey	
	350	A3243-350W	A3243-350G	A3243-350PW	A3243-350PG	4 sets
	400	A3243-400W	A3243-400G	A3243-400PW	A3243-400PG	4 sets
	450	A3243-450W	A3243-450G	A3243-450PW	A3243-450PG	4 sets
	500	A3243-500W	A3243-500G	A3243-500PW	A3243-500PG	4 sets
	550	A3243-550W	A3243-550G	A3243-550PW	A3243-550PG	4 sets

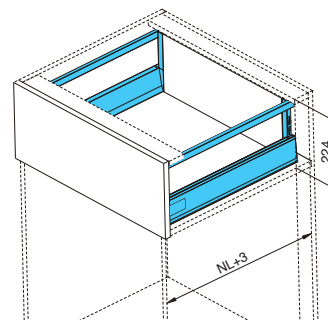
* One set included one pair of slides, sides, rear brackets, front brackets, side glasses and cover caps

A box-H199

Double wall drawer side with square rail - A3204



- Double wall
- Soft-close
- Full extension
- 199 mm drawer height
- ± 2 mm up & down adjustment;
- ± 1.5 mm left & right adjustment
- Length from 270-550mm
- Cycles with loading 40kg is 100,000
- Loading capacity is 40KG



Components	NL	Soft-close		Push-open		Package
		White	Grey	White	Grey	
	270	A3204-270W	A3204-270G	A3204-270PW	A3204-270PG	6 sets
	300	A3204-300W	A3204-300G	A3204-300PW	A3204-300PG	6 sets
	350	A3204-350W	A3204-350G	A3204-350PW	A3204-350PG	6 sets
	400	A3204-400W	A3204-400G	A3204-400PW	A3204-400PG	6 sets
	450	A3204-450W	A3204-450G	A3204-450PW	A3204-450PG	6 sets
	500	A3204-500W	A3204-500G	A3204-500PW	A3204-500PG	6 sets
	550	A3204-550W	A3204-550G	A3204-550PW	A3204-550PG	6 sets

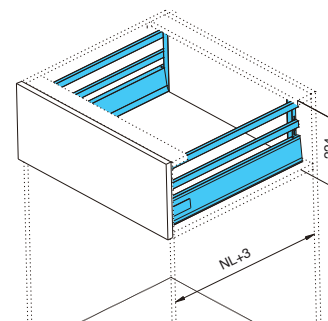
* One set included one pair of slides, sides, rear brackets, front brackets, side rails and cover caps

A box-H199

Double wall drawer side with double square rail - A3214



- Double wall
- Soft-close
- Full extension
- 199 mm drawer height
- ± 2 mm up & down adjustment;
- ± 1.5 mm left & right adjustment
- Length from 270-550mm
- Cycles with loading 40kg is 100,000
- Loading capacity is 40KG



Components	NL	Soft-close		Push-open		Package
		White	Grey	White	Grey	
	270	A3214-270W	A3214-270G	A3214-270PW	A3214-270PG	6 sets
	300	A3214-300W	A3214-300G	A3214-300PW	A3214-300PG	6 sets
	350	A3214-350W	A3214-350G	A3214-350PW	A3214-350PG	6 sets
	400	A3214-400W	A3214-400G	A3214-400PW	A3214-400PG	6 sets
	450	A3214-450W	A3214-450G	A3214-450PW	A3214-450PG	6 sets
	500	A3214-500W	A3214-500G	A3214-500PW	A3214-500PG	6 sets
	550	A3214-550W	A3214-550G	A3214-550PW	A3214-550PG	6 sets

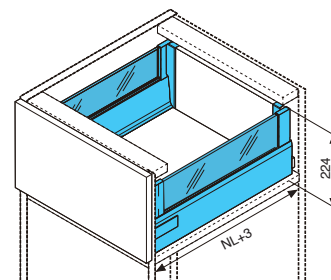
* One set included one pair of slides, sides, rear brackets, front brackets, cover caps and two pairs of side rails

A box-H199

Double wall drawer side with glass panel - A3244



- Double wall
- Soft-close
- Full extension
- 199 mm drawer height
- ± 2 mm up & down adjustment;
- ± 1.5 mm left & right adjustment
- Length from 350-550mm
- Cycles with loading 40kg is 100,000
- Loading capacity is 40KG



Components	NL	Soft-close		Push-open		Package
		White	Grey	White	Grey	
	350	A3244-350W	A3244-350G	A3244-350PW	A3244-350PG	4 sets
	400	A3244-400W	A3244-400G	A3244-400PW	A3244-400PG	4 sets
	450	A3244-450W	A3244-450G	A3244-450PW	A3244-450PG	4 sets
	500	A3244-500W	A3244-500G	A3244-500PW	A3244-500PG	4 sets
	550	A3244-550W	A3244-550G	A3244-550PW	A3244-550PG	4 sets

* One set included one pair of slides, sides, rear brackets, front brackets, side glasses and cover caps

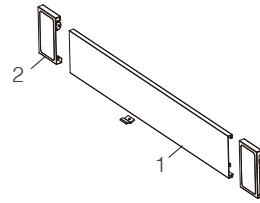


INSET DRAWER ACCESSORIES

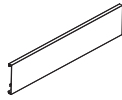


A box-H84

Inset drawer accessories

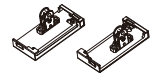


1. Front panel - normal aluminum
* DIY cut : Length = LW-90



L	White	Grey	Package
600	AL320600W	AL320600G	20 pcs
1200	AL321200W	AL321200G	20 pcs
2000	AL322000W	AL322000G	20 pcs

2. Inset drawer front bracket left/right

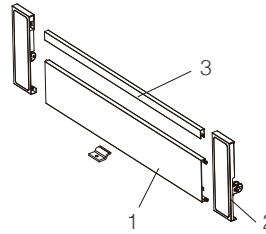


	White	Grey	Package
	AH320101W	AH320101G	50 sets

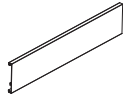


A box-H167

Inset drawer - Front panel and rail



1. Front panel - normal aluminum
* DIY cut : Length = LW-90



L	White	Grey	Package
600	AL320600W	AL320600G	20 pcs
1200	AL321200W	AL321200G	20 pcs
2000	AL322000W	AL322000G	20 pcs

2. Inset drawer front bracket left/right
(for inset drawer H167 with square rail)



	White	Grey	Package
	AF320301W	AF320301G	20 sets

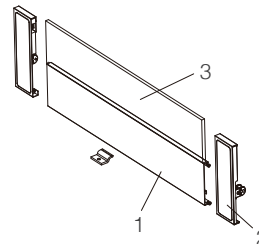
3. Front square rail
* DIY cut : Length = LW-92



L	White	Grey	Package
600	HF320600W	HF320600G	50 pcs
1200	HF321200W	HF321200G	50 pcs
2000	HF322000W	HF322000G	50 pcs

A box-H167

Inset drawer - Front panel and extended panel



1. Front panel - normal aluminum
* DIY cut : Length = LW-90



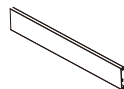
L	White	Grey	Package
600	AL320600W	AL320600G	20 pcs
1200	AL321200W	AL321200G	20 pcs
2000	AL322000W	AL322000G	20 pcs

2. Inset drawer front bracket left/right
(for inset drawer H167 with extended panel)



	White	Grey	Package
	AB320305W	AB320305G	20 sets

- 3.1. Front extended panel for H167
* DIY cut : Length = LW-98



L	White	Grey	Package
600	AL1510600W	AL1510600G	20 pcs
1200	AL1511200W	AL1511200G	20 pcs
2000	AL1512000W	AL1512000G	20 pcs

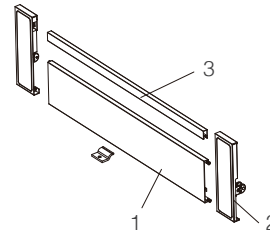
- *3.2. Front extended glass panel for H167



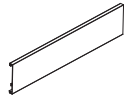
KB	Frosted	Transparent	Package
600	AB1510480F	AB1510480T	20 pcs
800	AB1510680F	AB1510680T	20 pcs
900	AB1510780F	AB1510780T	20 pcs

A box-H199

Inset drawer - Front panel and rail



1. Front panel - normal aluminum
* DIY cut : Length = LW-90



L	White	Grey	Package
600	AL320600W	AL320600G	20 pcs
1200	AL321200W	AL321200G	20 pcs
2000	AL322000W	AL322000G	20 pcs

2. Inset drawer front bracket left/right
(for inset drawer H199 with square rail)



	White	Grey	Package
	AF320401W	AF320401G	20 sets

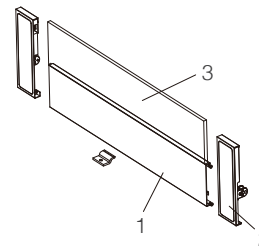
3. Front square rail
* DIY cut : Length = LW-92



L	White	Grey	Package
600	HF320600W	HF320600G	50 pcs
1200	HF321200W	HF321200G	50 pcs
2000	HF322000W	HF322000G	50 pcs

A box-H199

Inset drawer - Front panel and extended panel



1. Front panel - normal aluminum
* DIY cut : Length = LW-90



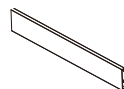
L	White	Grey	Package
600	AL320600W	AL320600G	20 pcs
1200	AL321200W	AL321200G	20 pcs
2000	AL322000W	AL322000G	20 pcs

2. Inset drawer front bracket left/right
(for inset drawer H199 with extended panel)



	White	Grey	Package
	AB320405W	AB320405G	20 sets

3.1. Front extended panel for H199
* DIY cut : Length = LW-98



L	White	Grey	Package
600	AL1830600W	AL1830600G	20 pcs
1200	AL1831200W	AL1831200G	20 pcs
2000	AL1832000W	AL1832000G	20 pcs

*3.2. Front extended glass panel for H199



KB	Frosted	Transparent	Package
600	AB1830480F	AB1830480T	20 pcs
800	AB1830680F	AB1830680T	20 pcs
900	AB1830780F	AB1830780T	20 pcs

A box

Industrail package

Drawer side H84



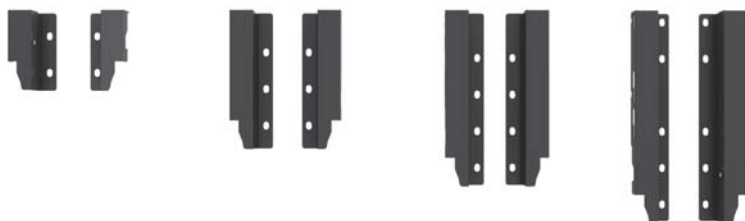
NL	Left side		Right side		Package
	White	Grey	White	Grey	
270	AD321270WL	AD321270GL	AD321270WR	AD321270GR	20 pcs
300	AD321300WL	AD321300GL	AD321300WR	AD321300GR	20 pcs
350	AD321350WL	AD321350GL	AD321350WR	AD321350GR	20 pcs
400	AD321400WL	AD321400GL	AD321400WR	AD321400GR	20 pcs
450	AD321450WL	AD321450GL	AD321450WR	AD321450GR	20 pcs
500	AD321500WL	AD321500GL	AD321500WR	AD321500GR	20 pcs
550	AD321550WL	AD321550GL	AD321550WR	AD321550GR	20 pcs

Drawer slide



NL	Left side		Right side		Package
	Soft-close	Push-open	Soft-close	Push-open	
270	AS322270L	AP322270L	AS322270R	AP322270R	20 pcs
300	AS322300L	AP322300L	AS322300R	AP322300R	20 pcs
350	AS322350L	AP322350L	AS322350R	AP322350R	20 pcs
400	AS322400L	AP322400L	AS322400R	AP322400R	20 pcs
450	AS322450L	AP322450L	AS322450R	AP322450R	20 pcs
500	AS322500L	AP322500L	AS322500R	AP322500R	20 pcs
550	AS322550L	AP322550L	AS322550R	AP322550R	20 pcs

Rear bracket



H	White	Grey	Package
84	AR320168W	AR320168G	100 pair
116	AR3202119W	AR3202119G	50 pair
167	AR3203151W	AR3203151G	50 pair
199	AR3204183W	AR3204183G	50 pair

Front bracket



H	Screw-in	10mm dowel	Package
-	AF201001	AF320001DS	100 pair

* Fixing with $\phi 4 \times 15$ mm screw
(screw are not included in screw-in type)

Cover caps



Cover cap	White	Grey	Package
CEMUX LOGO	AC320101W	AC320101G	100 pair
Blank	AC320100W	AC320100G	100 pair

A box

Industrail package

Add-on square rail



NL	Screw-in		10mm dowel		Package
	White	Grey	White	Grey	
270	AF320270W	AF320270G	AF320270WD	AF320270GD	20 pair
300	AF320300W	AF320300G	AF320300WD	AF320300GD	20 pair
350	AF320350W	AF320350G	AF320350WD	AF320350GD	20 pair
400	AF320400W	AF320400G	AF320400WD	AF320400GD	20 pair
450	AF320450W	AF320450G	AF320450WD	AF320450GD	20 pair
500	AF320500W	AF320500G	AF320500WD	AF320500GD	20 pair
550	AF320550W	AF320550G	AF320550WD	AF320550GD	20 pair

* Fixing with $\phi 3.5 \times 16$ mm screw

Add-on round rail



NL	Screw-in		10mm dowel		Package
	White	Grey	White	Grey	
270	AY320270W	AY320270G	AY320270WD	AY320270GD	20 pair
300	AY320300W	AY320300G	AY320300WD	AY320300GD	20 pair
350	AY320350W	AY320350G	AY320350WD	AY320350GD	20 pair
400	AY320400W	AY320400G	AY320400WD	AY320400GD	20 pair
450	AY320450W	AY320450G	AY320450WD	AY320450GD	20 pair
500	AY320500W	AY320500G	AY320500WD	AY320500GD	20 pair
550	AY320550W	AY320550G	AY320550WD	AY320550GD	20 pair

* Fixing with $\phi 3.5 \times 16$ mm screw

Add-on rail plastic rear brackets



H	White	Grey	Package
-	ABH20G	ABH20W	100 pair

* It can achieve any drawer height according to needs with add-on rail

Add-on glass



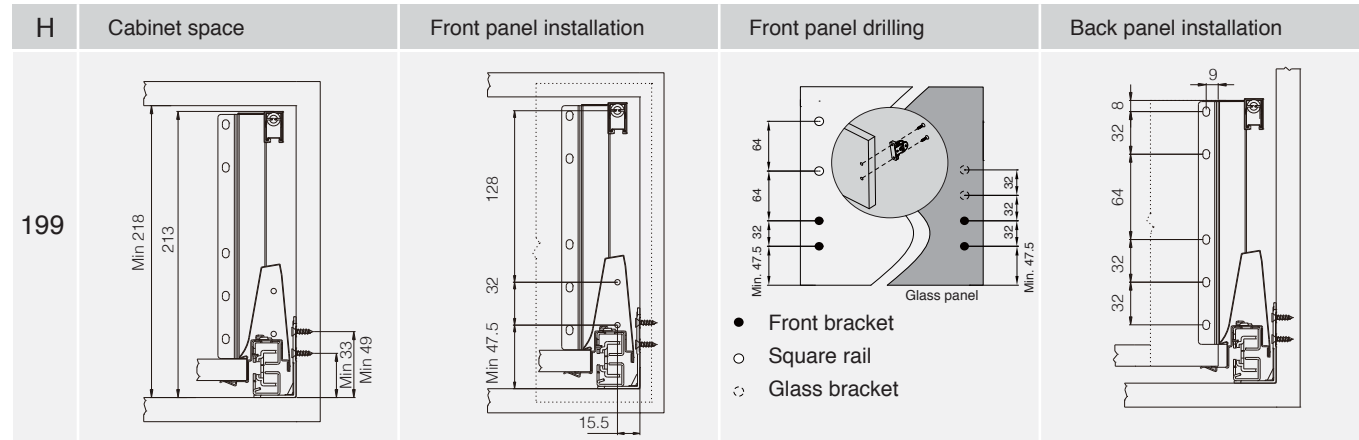
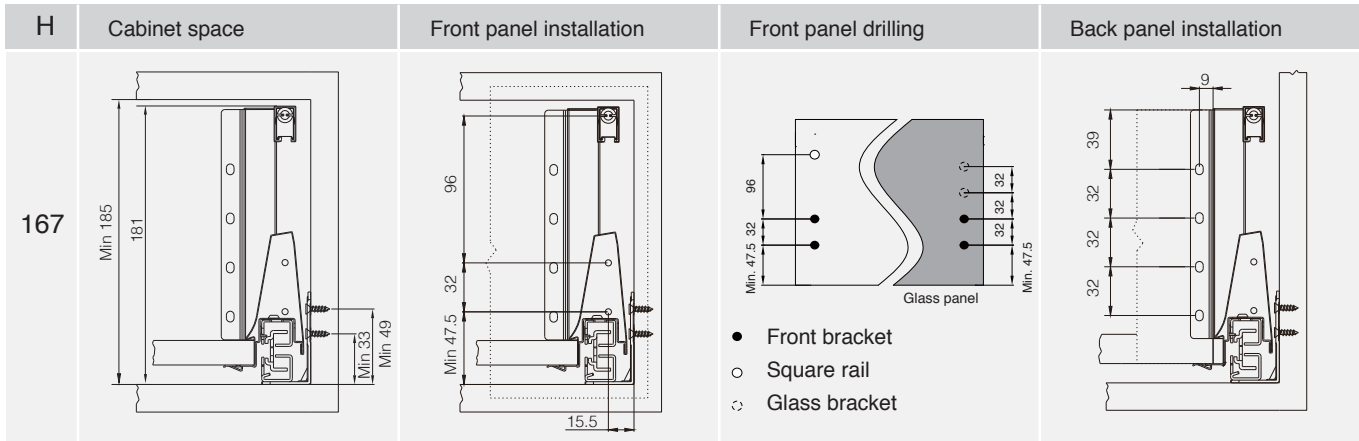
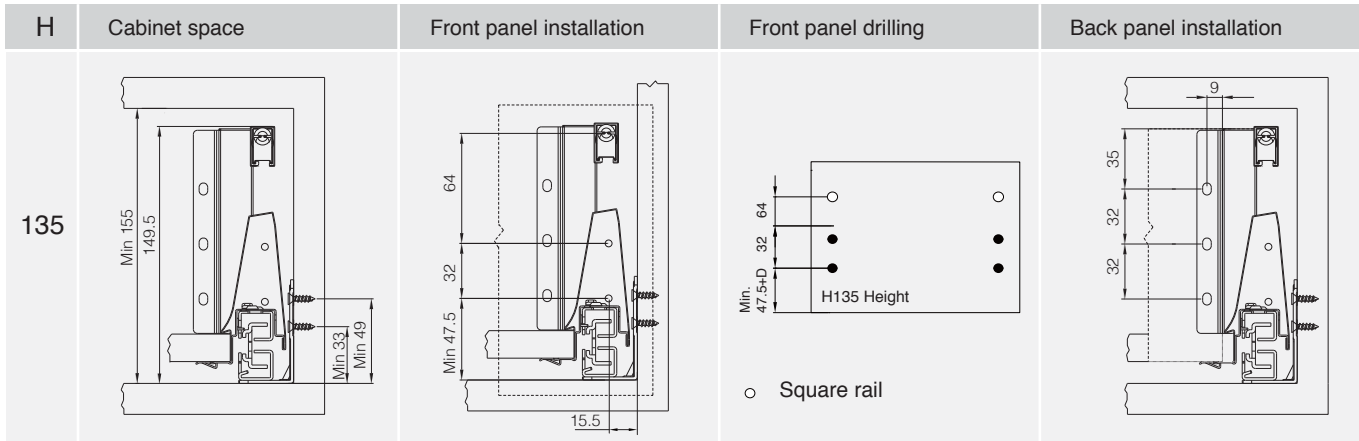
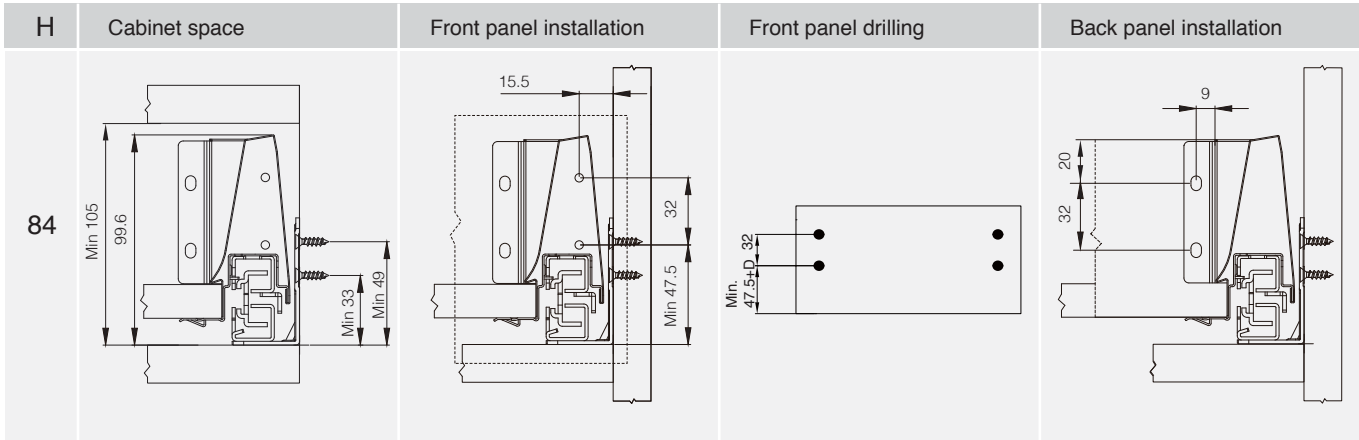
NL	8mm glass side for H167	8mm glass side for H199	Package
350	AB1518350F	AB1838350F	10 pair
400	AB1518400F	AB1838400F	10 pair
450	AB1518450F	AB1838450F	10 pair
500	AB1518500F	AB1838500F	10 pair
550	AB1518550F	AB1838550F	10 pair

Add-on glass brackets



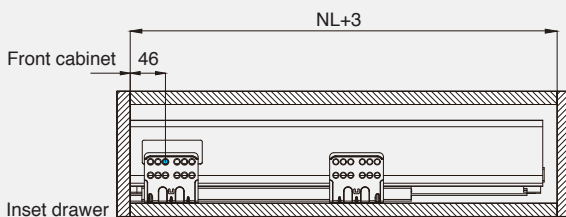
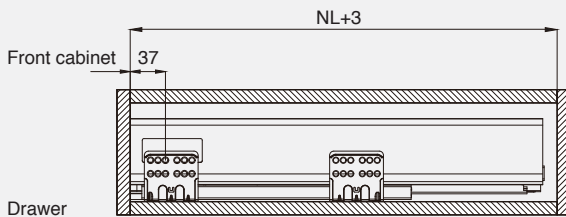
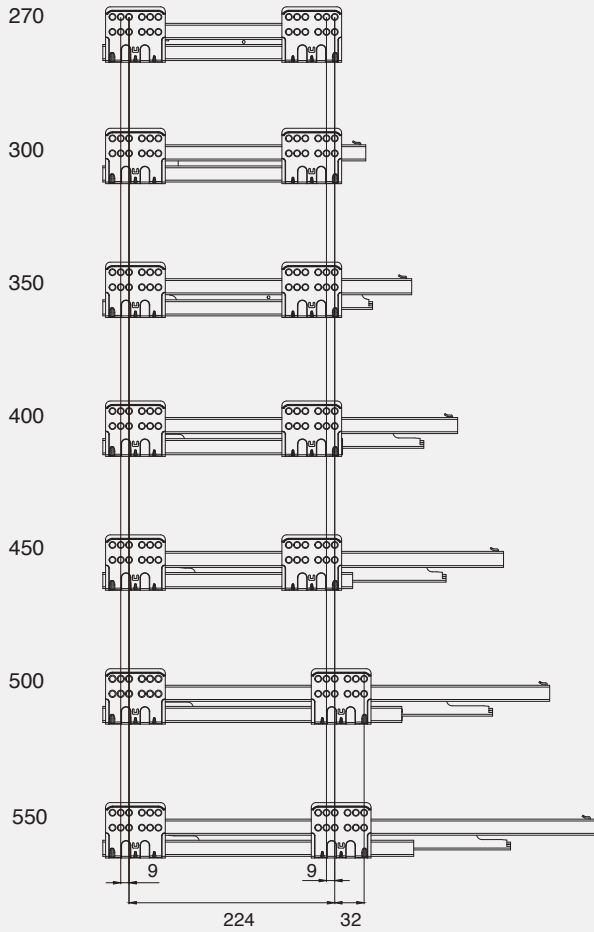
H	White	Grey	Package
167	AB1518W	AB1518G	50 pair
199	AB1838W	AB1838G	50 pair

Technical information - How to confirm the hole position

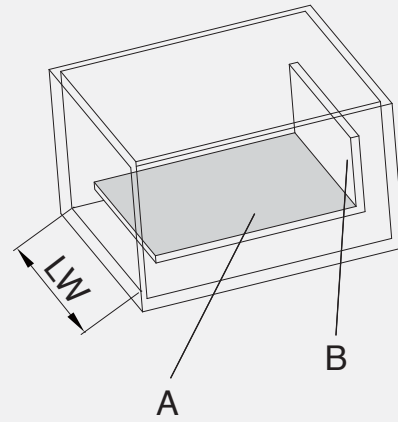


Technical information - How to confirm the slide hole position & cutting dimensions

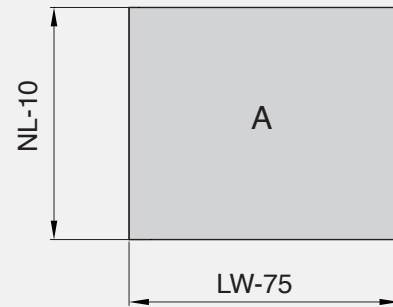
Fixing positions for drawer slides



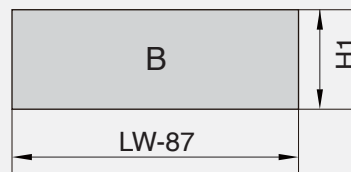
Cutting dimensions for 16mm MDF



Bottom panel cutting dimension



Back panel cutting dimension



H	H1
84	68
135	119
167	151
199	183

* Front panel recommend

Width $\leq 1200\text{mm}$
Height $\leq 400\text{mm}$

Legend

LW Internal cabinet width

L Length

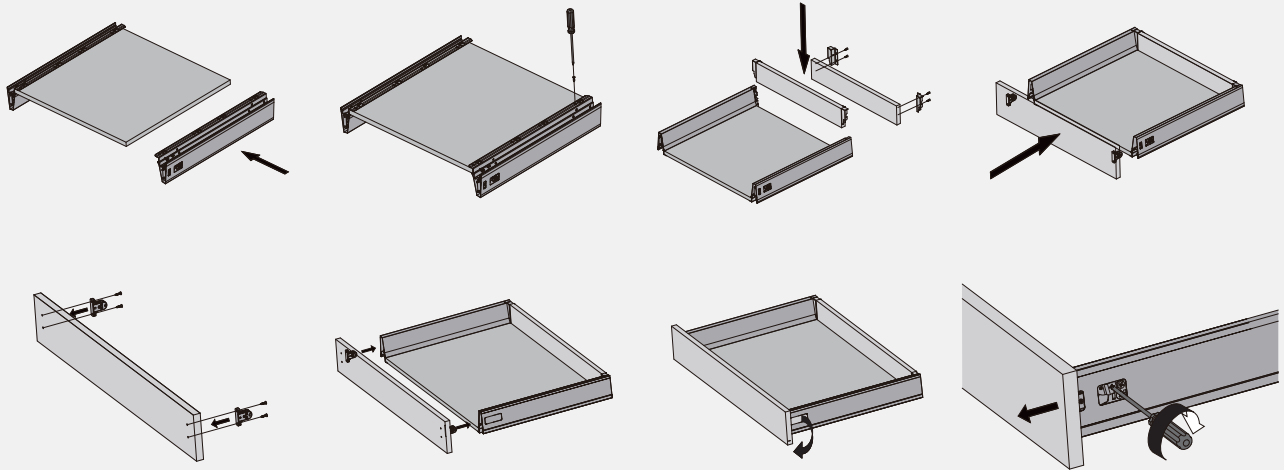
NL Nominal length

KB Cabinet width

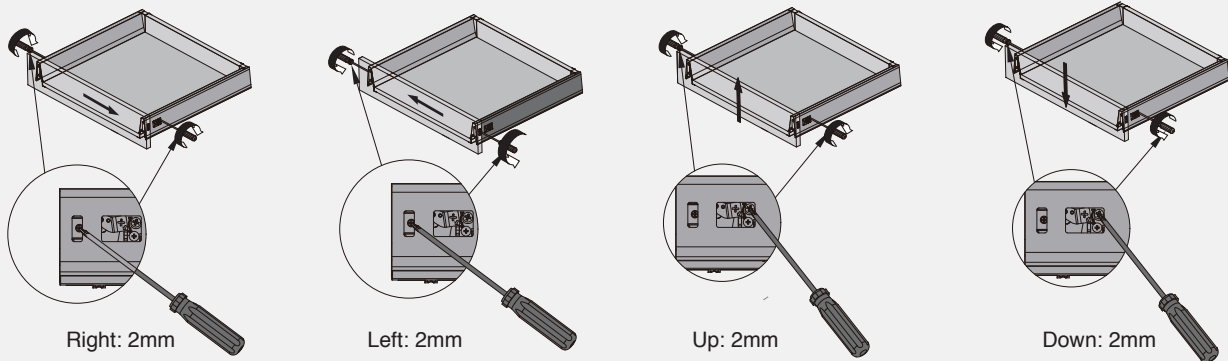
A box - Contempo drawer H84

Installation information

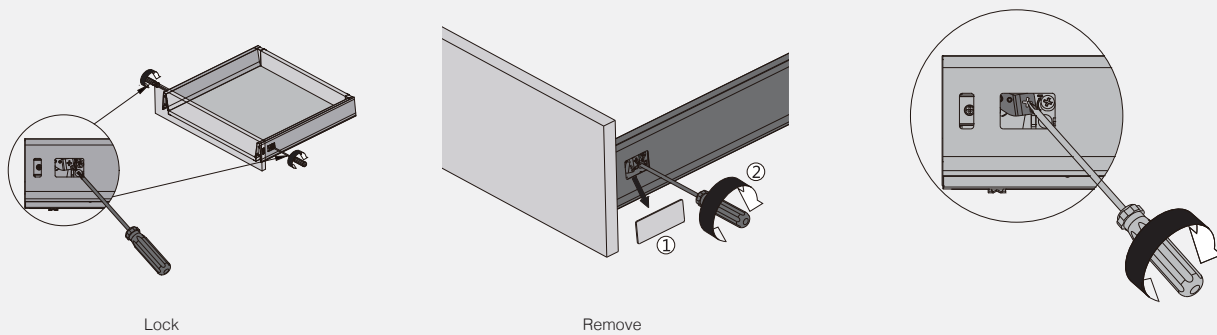
Install drawer



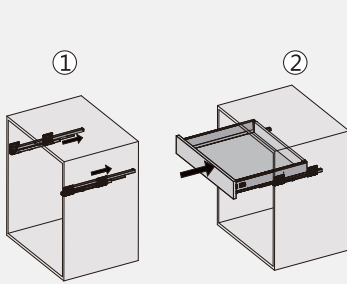
Adjustment



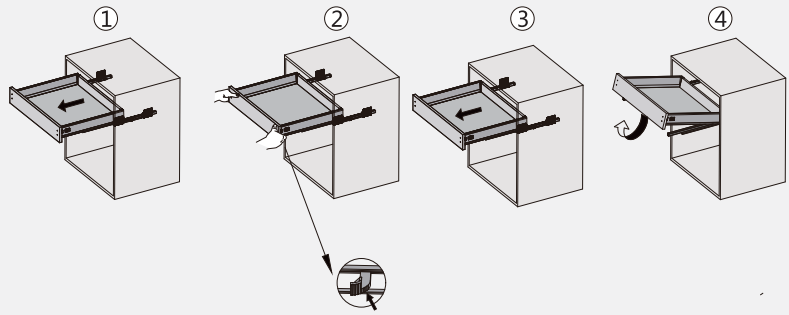
Lock and remove front panel



Lock and remove drawer on runners

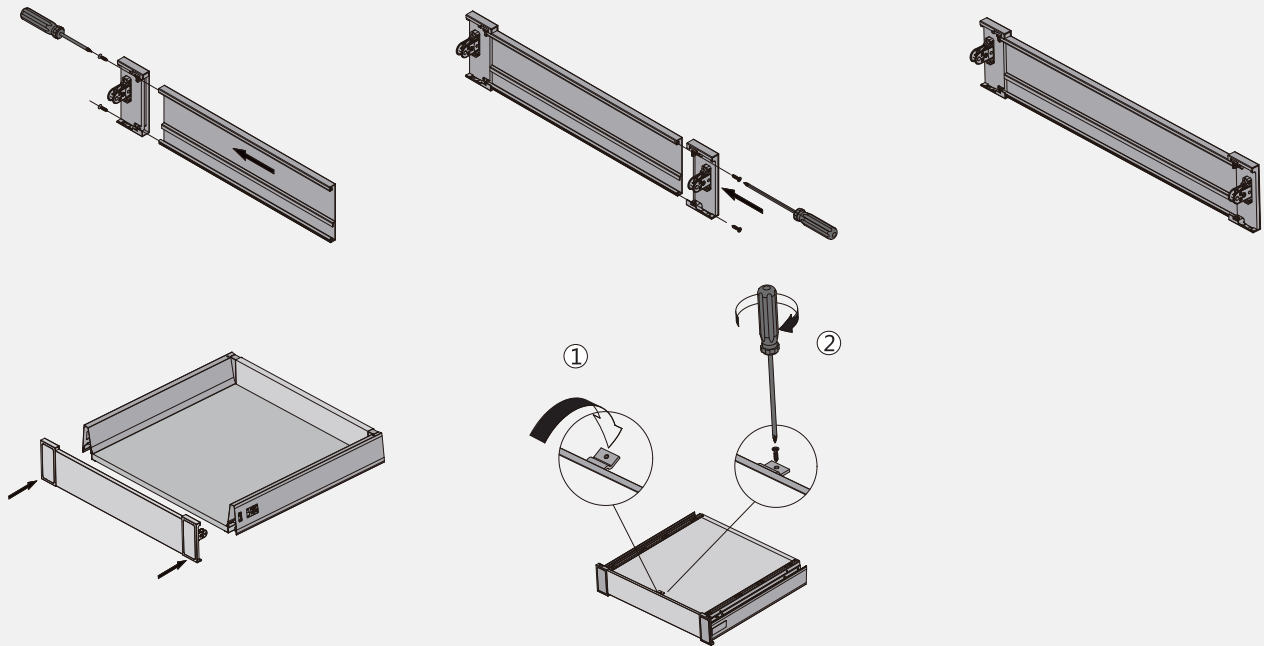


Install



Remove

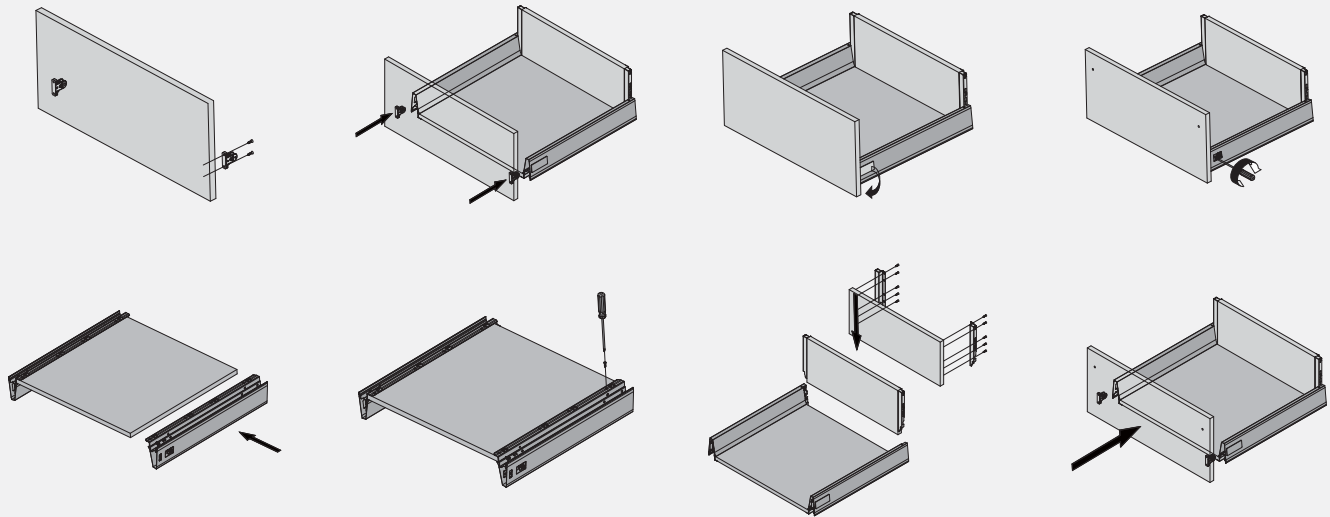
Install inset drawer front panel



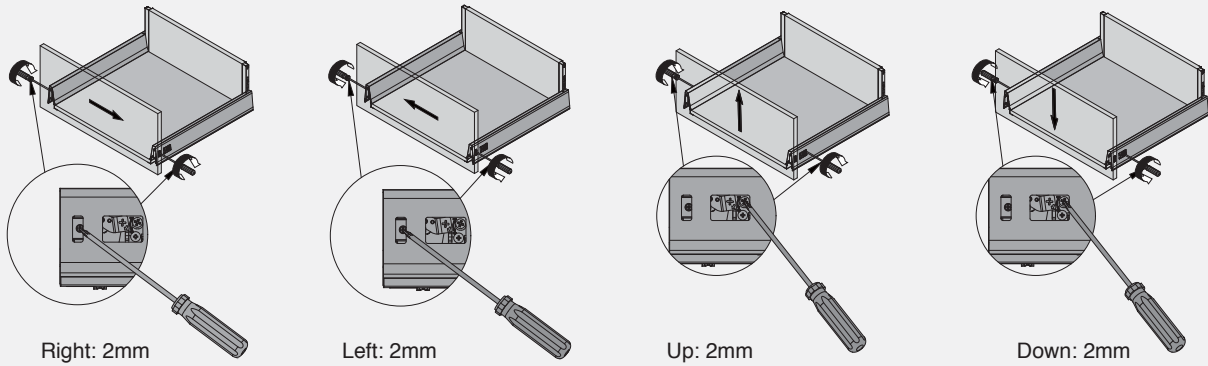
A box - Contempo drawer H135; H167 & H199

Installation information

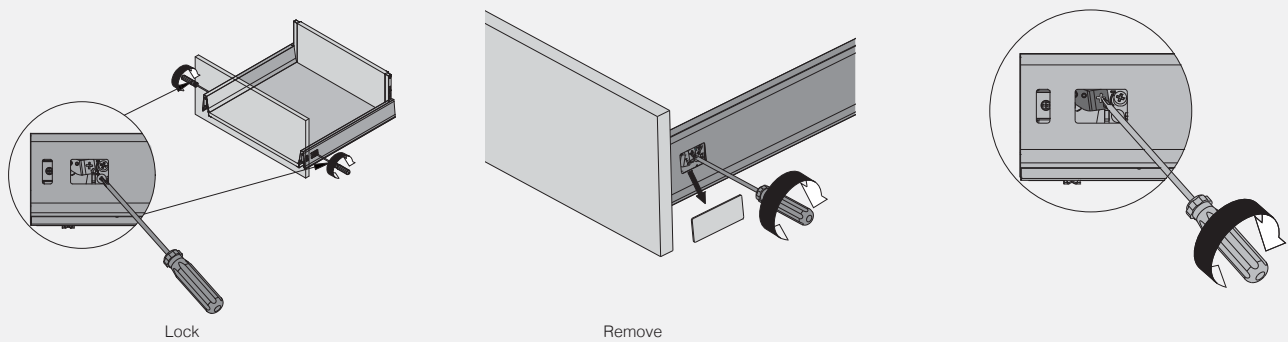
Install drawer



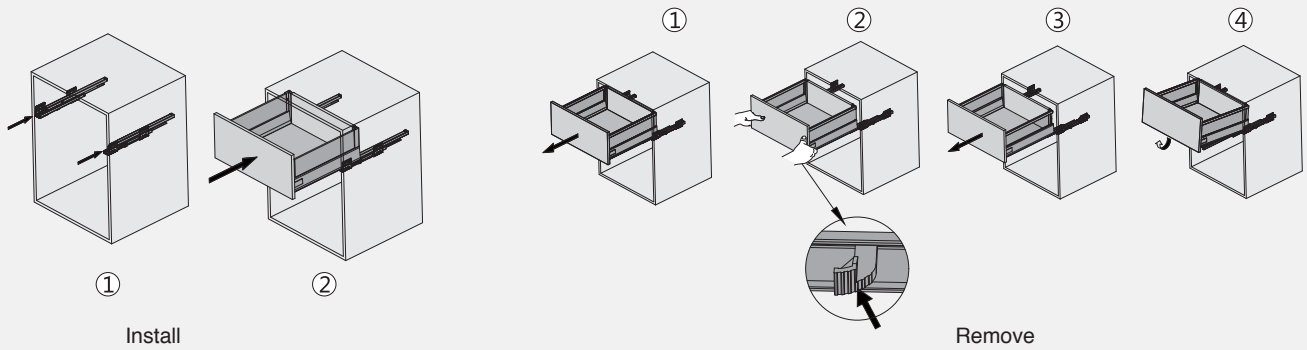
Adjustment



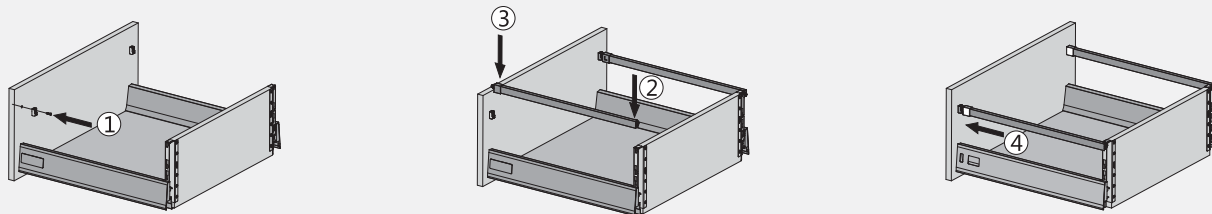
Lock and remove panel



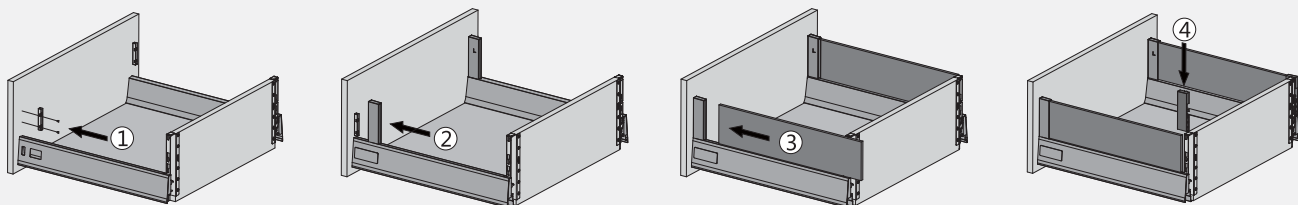
Lock and remove drawer on runners

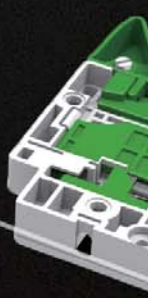
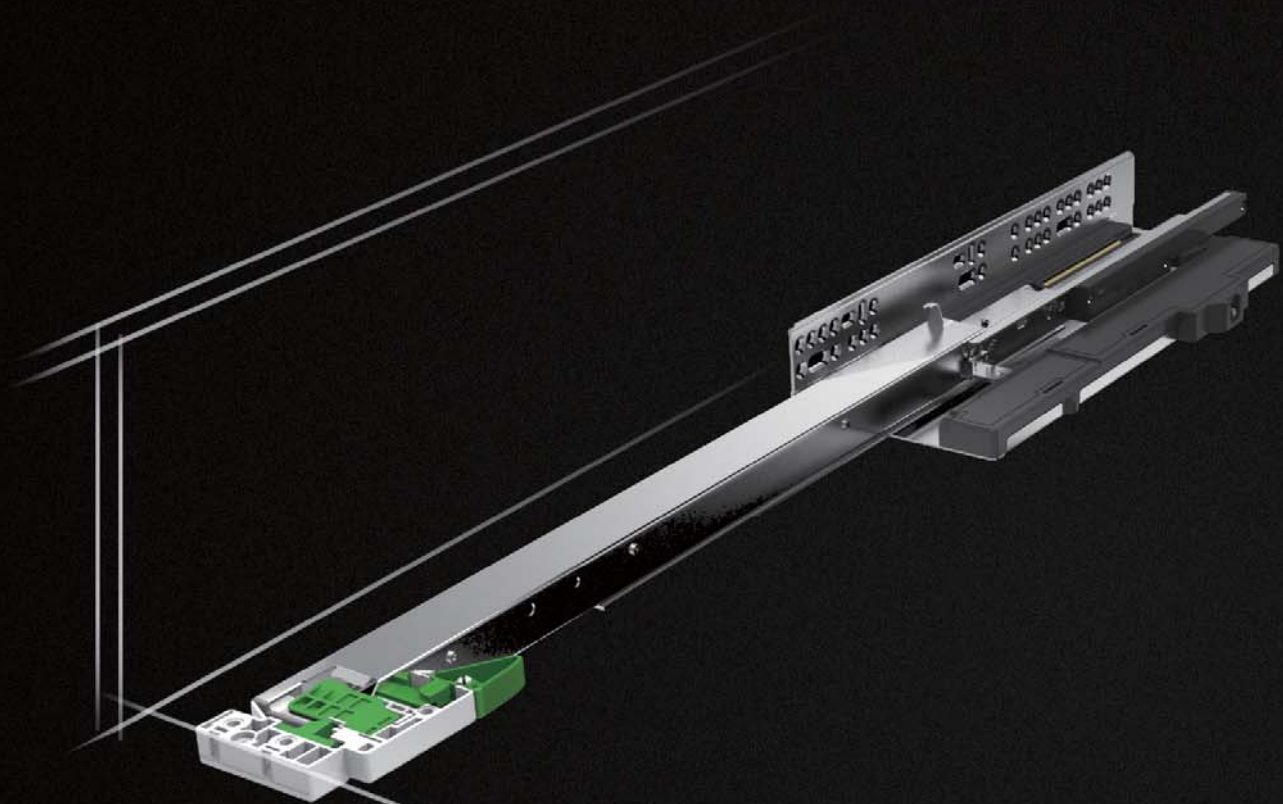


Install drawer side with square rail



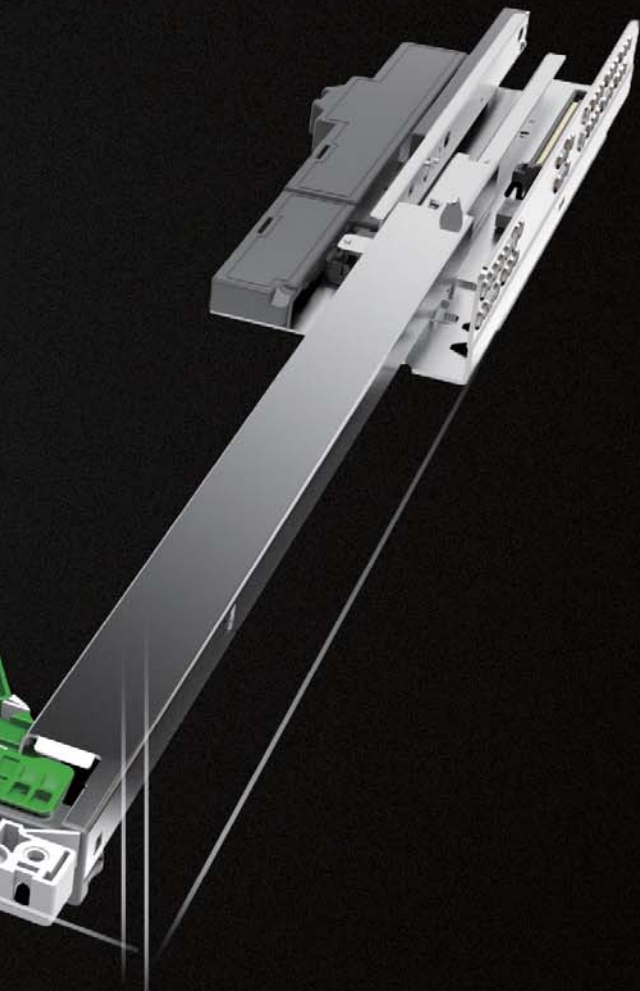
Install drawer side with glass panel





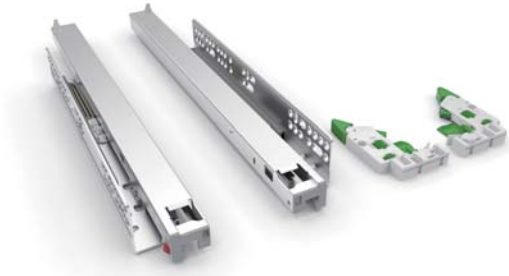
CEMUX

**PERFECT MOTION
UNDERMOUNTING
SLIDES -
R DRAWER SLIDES**



R drawer slide - R213 (Synchronised motion)

Soft-close; Full extension; 3-D adjustment; 16/18mm drawer



- Soft-close
- Full extension
- Galvanized sheet
- Loading capacity is 25 KG
- Length from 270-600mm
- 1-3mm height adjustment
- ±2mm right/left adjustment
- 1-5mm depth adjustment on slide

NL	Item No.	Package	Remark
270	R213-270	10 sets	Package includes A. Left & right drawer slide B. Locking devices
300	R213-300	10 sets	
350	R213-350	10 sets	
400	R213-400	10 sets	
450	R213-450	10 sets	
500	R213-500	10 sets	
550	R213-550	10 sets	
600	R213-600	10 sets	

* For 18mm drawer, please change code R213 to R223

Push-open mechanism - Soft-close & push open motion



- Push-open mechanism
- Fit up to soft-closing slide (R213 series)
- Easy installation

NL	Item No.	Package
350	RA80-350	10 sets
400	RA80-400	10 sets
450	RA80-450	10 sets
500	RA80-500	10 sets
550	RA80-550	10 sets

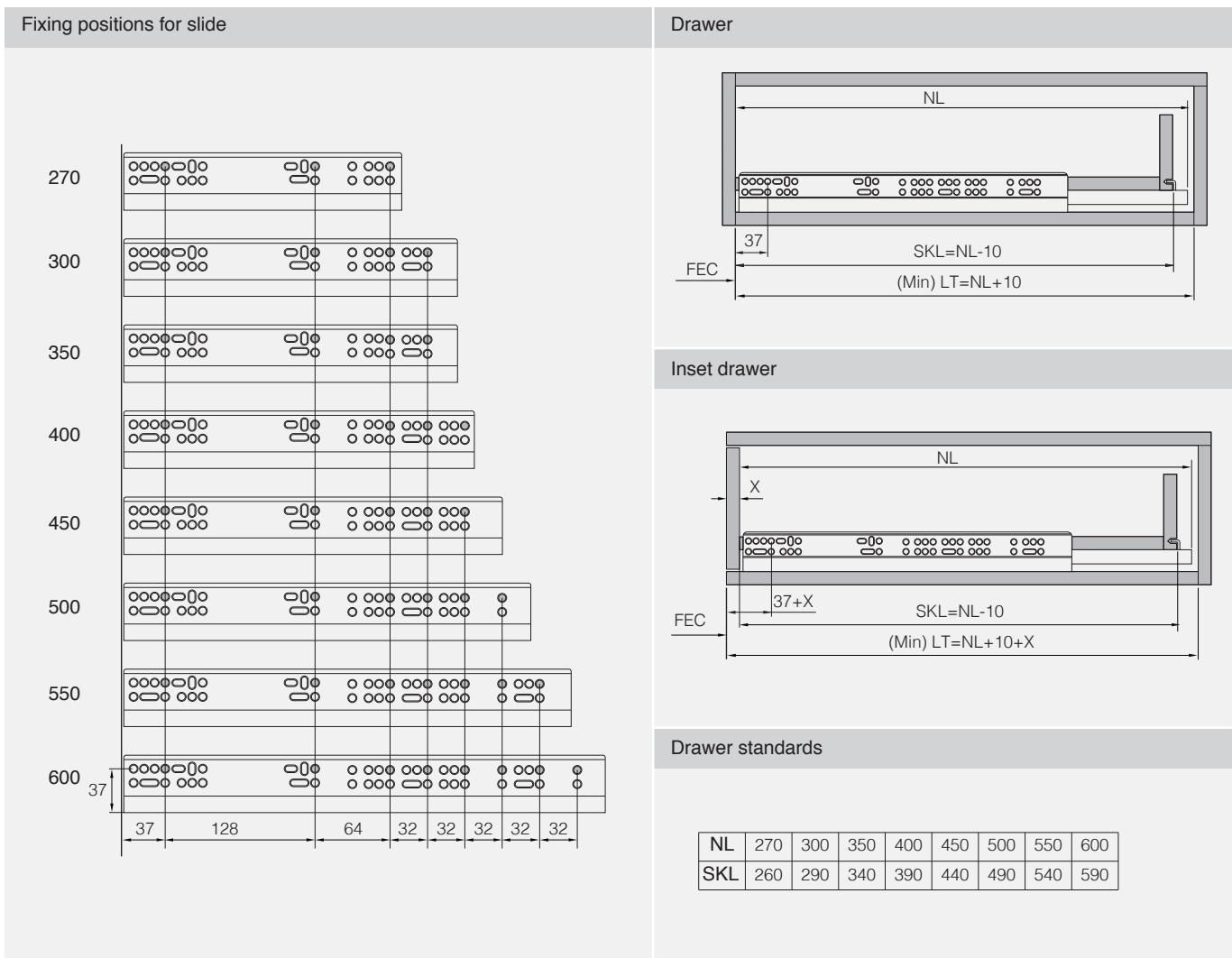
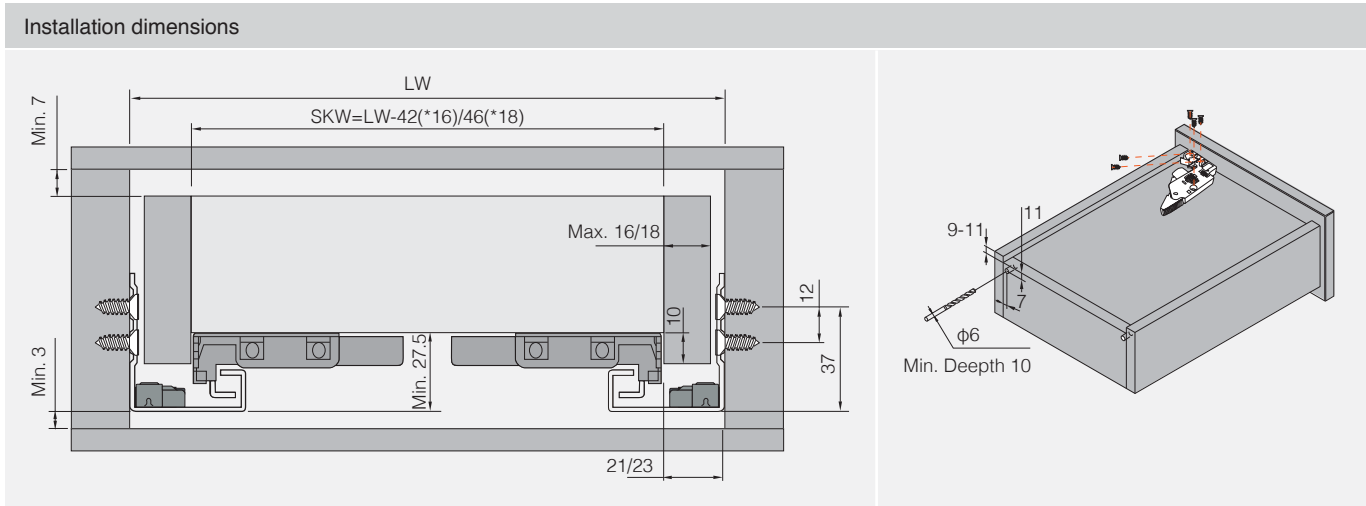
Synchronisation rod



- Synchronisation rod
- Standard length is 1000mm
- Customized : Internal width - 330mm

Item No.	Package
R1131000	10 sets

Technical information



Legend

LW	Internal cabinet width	L	Length	SKL	Length of drawer	X	Thickness of door
NL	Nominal length	KB	Cabinet width	LT	Minimum installation depth	FEC	Front edge of cabinet

R drawer slide - R312 (Synchronised motion)

Push-open; Full extension; 2-D adjustment; 16/18mm drawer

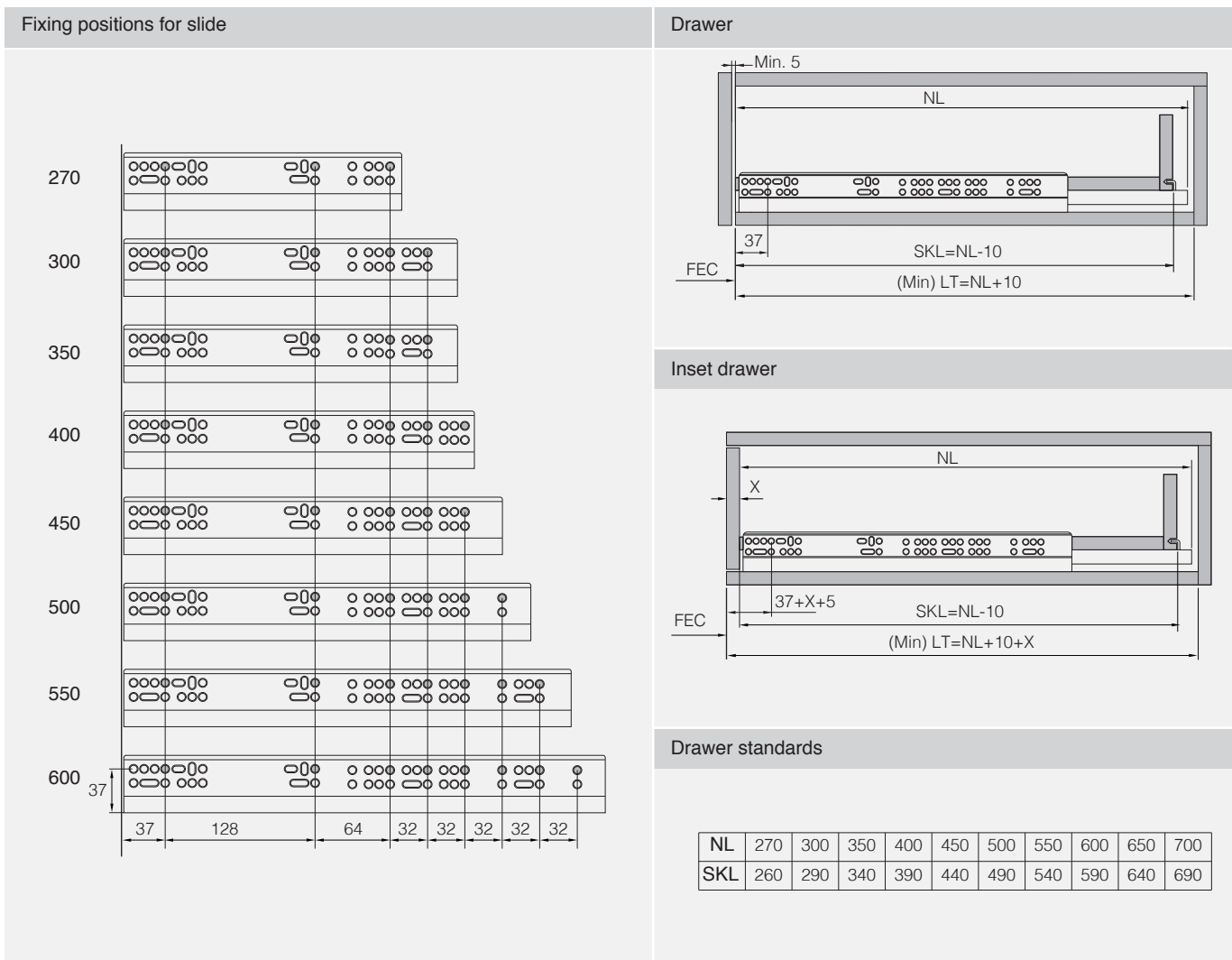
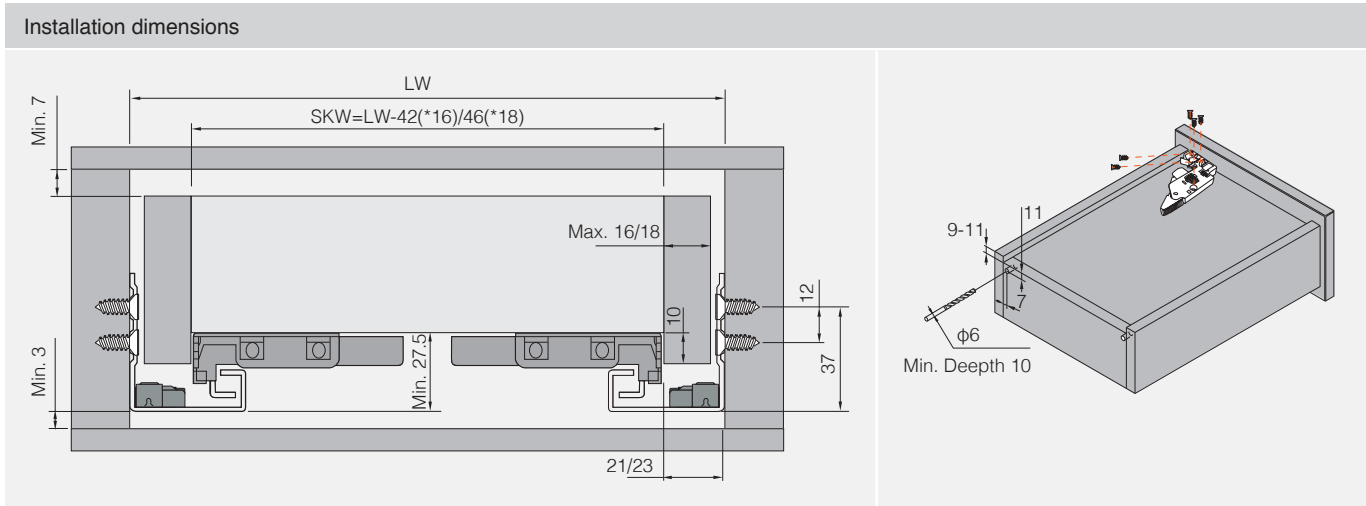


- Push-open
- Full extension
- Galvanized sheet
- Loading capacity is 25 KG
- Length from 270-600mm
- 1-3mm height adjustment
- ± 2 mm right/left adjustment

NL	Item No.	Package	Remark
270	R312-270	10 sets	Package includes A. Left & right drawer slide B. Locking devices
300	R312-300	10 sets	
350	R312-350	10 sets	
400	R312-400	10 sets	
450	R312-450	10 sets	
500	R312-500	10 sets	
550	R312-550	10 sets	
600	R312-600	10 sets	

* For 18mm drawer, please change code R312 to R322

Technical information



Legend

LW	Internal cabinet width	L	Length	SKL	Length of drawer	X	Thickness of door
NL	Nominal length	KB	Cabinet width	LT	Minimum installation depth	FEC	Front edge of cabinet

R drawer slide - R502

Soft-close; Single extension; 2-D adjustment; 16mm/18mm drawer

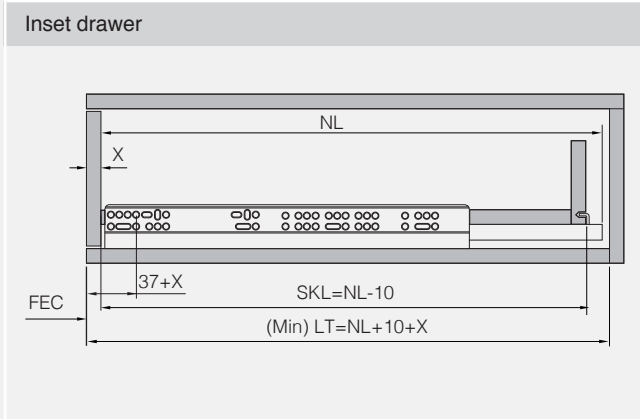
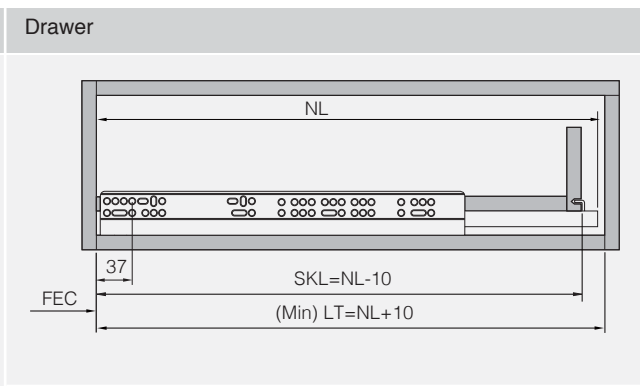
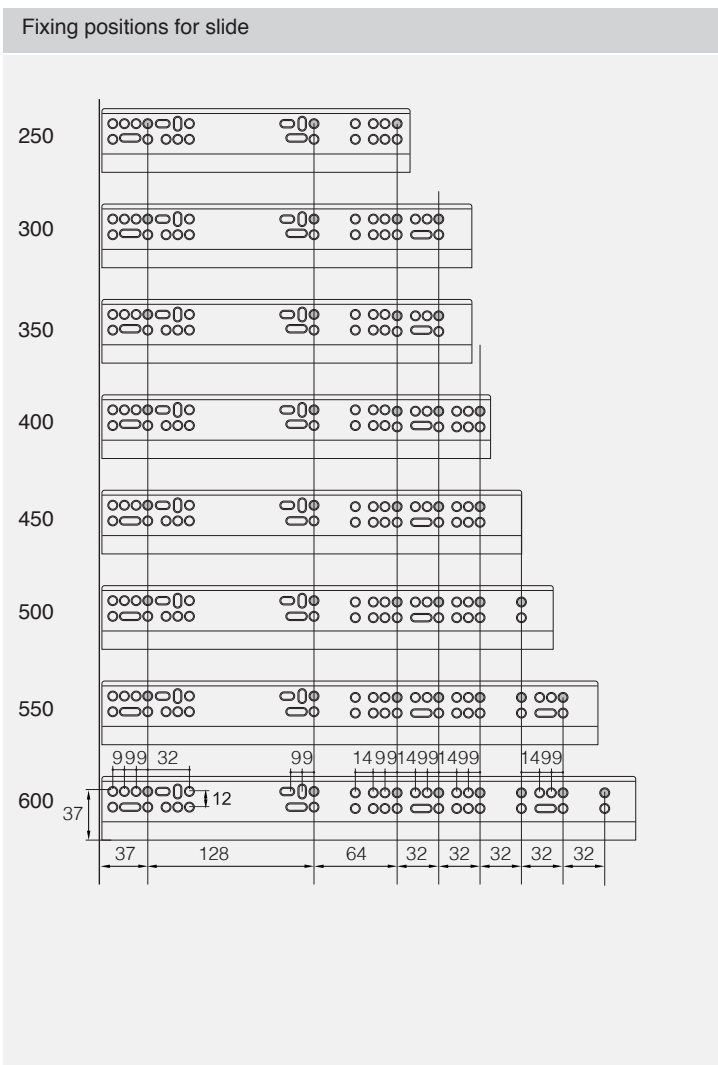
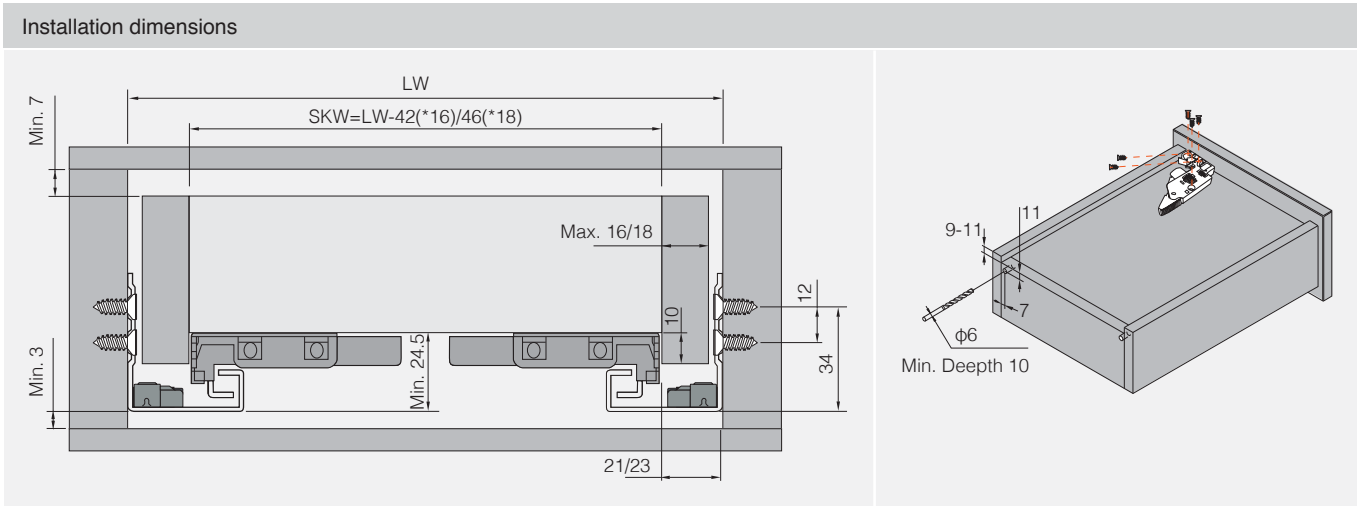


- Soft-close
- Single extension
- Galvanized sheet
- Loading capacity is 25 KG
- Length from 250-600mm
- 1-3mm height adjustment
- ± 2 mm right/left adjustment

NL	Item No.	Package	Remark
250	R502-250	10 sets	Package includes A. Left & right drawer slide B. Locking devices
300	R502-300	10 sets	
350	R502-350	10 sets	
400	R502-400	10 sets	
450	R502-450	10 sets	
500	R502-500	10 sets	
550	R502-550	10 sets	
600	R502-600	10 sets	

* For 18mm drawer, please change code R502 to R512

Technical information



Drawer standards

NL	250	300	350	400	450	500	550	600
SKL	240	290	340	390	440	490	540	590

Legend

LW	Internal cabinet width	L	Length	SKL	Length of drawer	X	Thickness of door
NL	Nominal length	KB	Cabinet width	LT	Minimum installation depth	FEC	Front edge of cabinet

R drawer slide - R602

Push-open; Single extension; 2-D adjustment; 16mm drawer

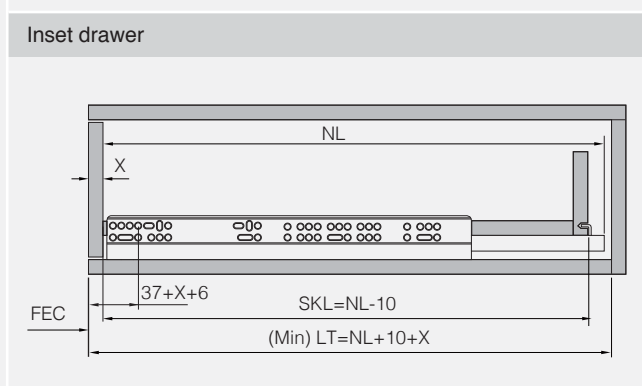
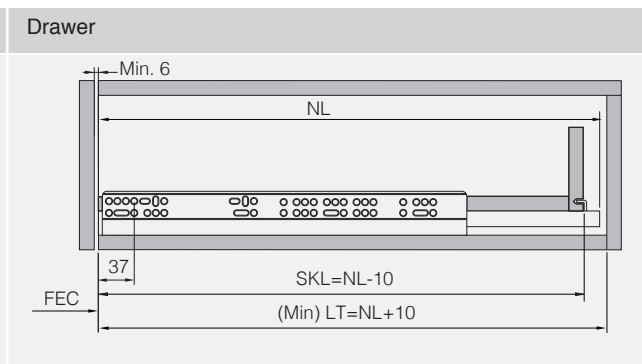
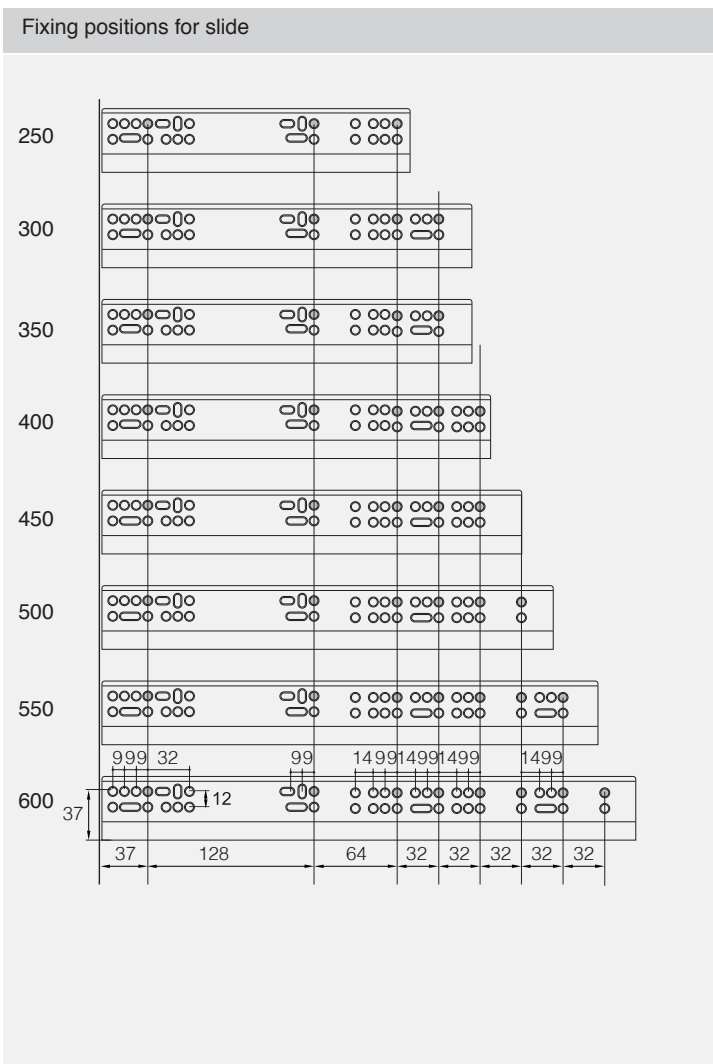
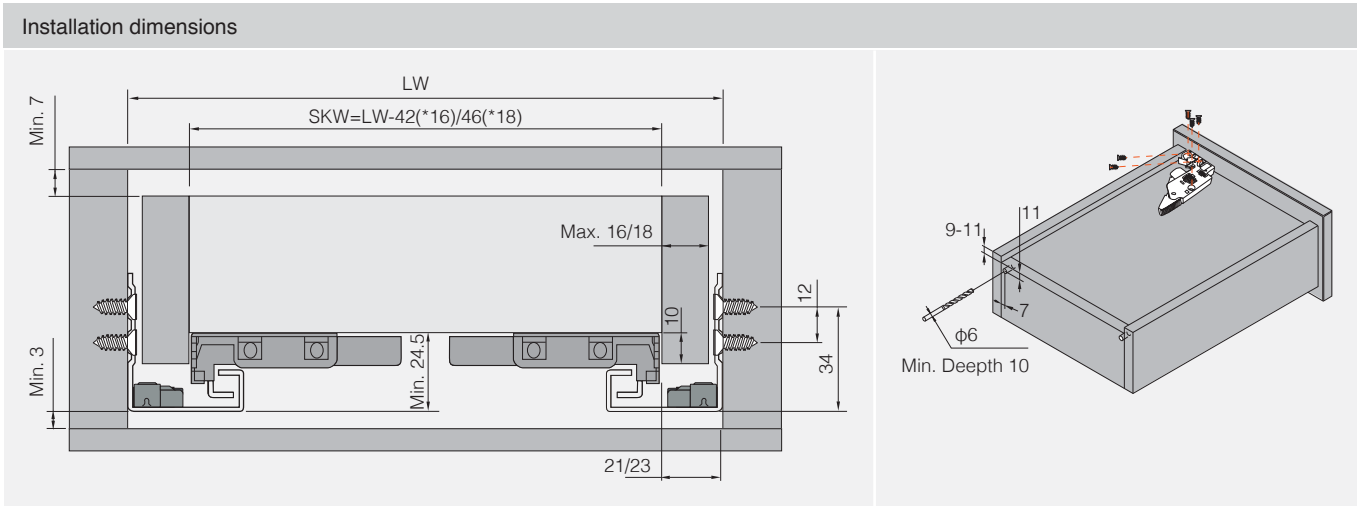


- Push-open
- Single extension
- Galvanized sheet
- Loading capacity is 25 KG
- Length from 250-550mm
- 1-3mm height adjustment
- ± 2 mm right/left adjustment

NL	Item No.	Package	Remark
250	R602-250	10 sets	Package include A. Left & right drawer slide B. Locking devices
300	R602-300	10 sets	
350	R602-350	10 sets	
400	R602-400	10 sets	
450	R602-450	10 sets	
500	R602-500	10 sets	
550	R602-550	10 sets	
600	R602-600	10 sets	

* For 18mm drawer, please change code R602 to R612

Technical information



Drawer standards







NL	250	300	350	400	450	500	550	600
SKL	240	290	340	390	440	490	540	590

Legend

LW	Internal cabinet width	L	Length	SKL	Length of drawer	X	Thickness of door
NL	Nominal length	KB	Cabinet width	LT	Minimum installation depth	FEC	Front edge of cabinet

**MORE FUNCTIONALITY
BALL BEARING
RUNNERS - BB DRAWER
SLIDES**



	Description	Item No.
	<p>Soft-close & Push-open</p> <p>Full extension; 45mm; 1.5x1.2x1.2</p>	<p>BB01</p>
	<p>Soft-close</p> <p>Full extension; 45mm; 1.5x1.2x1.2</p>	<p>BB02</p>
	<p>Push-open</p> <p>Full extension; 45mm; 1.5x1.2x1.2</p>	<p>BB03</p>
	<p>General motion</p> <p>Full extension; 45mm; 1.5x1.2x1.2</p>	<p>BB04</p>
	<p>Soft-close</p> <p>Full extension; 45mm; 1.2x1.0x1.0</p>	<p>BB12</p>
	<p>General motion</p> <p>Full extension; 45mm; 1.2x1.0x1.0</p>	<p>BB14</p>

BB drawer slide - BB01

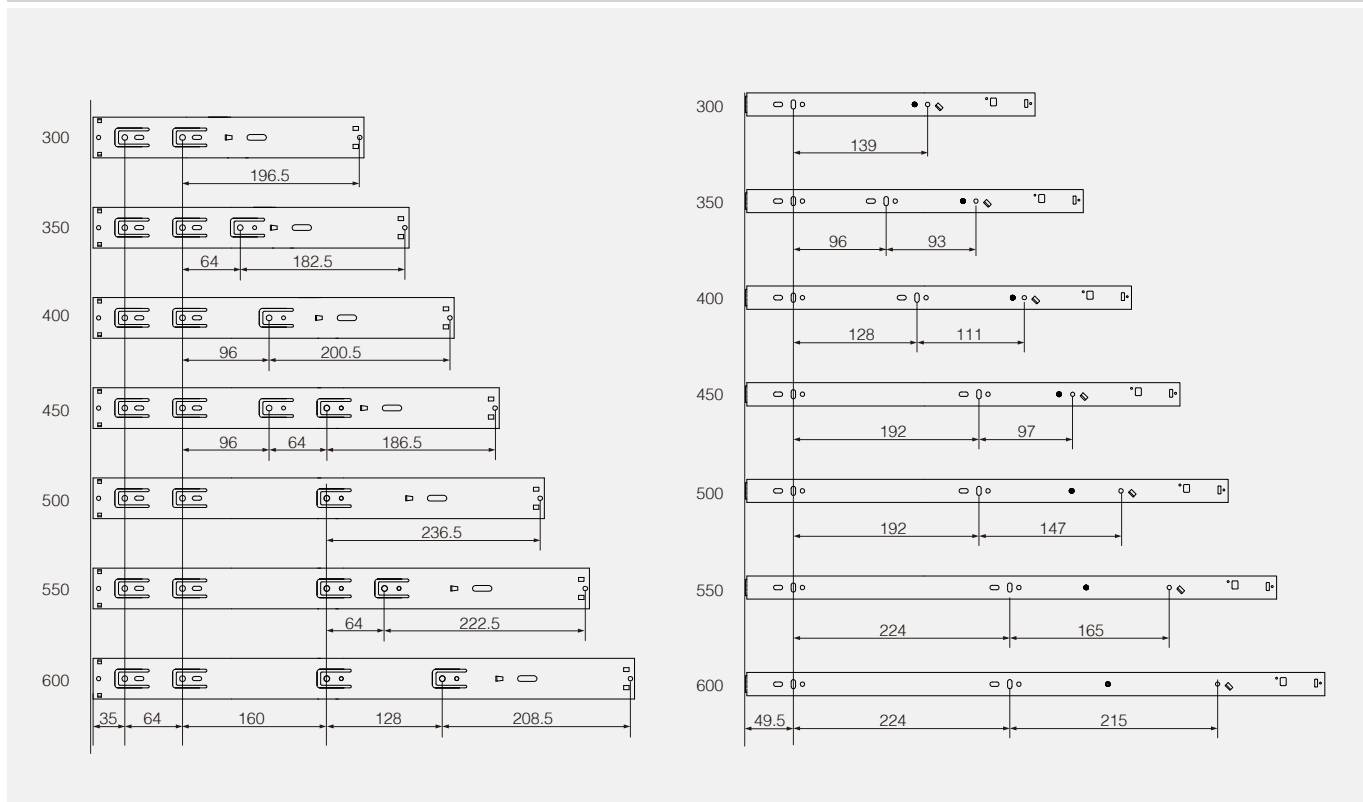
45mm; Full extension; Soft-close & push-open



- Material: cold-rolled steel
- Slide width: 45mm
- Slide thickness: 12.7mm
- Max load: 45 KG
- Length from 300-600mm
- Material thickness: 1.5x1.2x1.2mm
- Min internal depth: NL+10mm

NL	Item No.	Package	Remark
300	BB01-300	10 sets	Package includes * Left & right drawer slide
350	BB01-350	10 sets	
400	BB01-400	10 sets	
450	BB01-450	10 sets	
500	BB01-500	10 sets	
550	BB01-550	10 sets	
600	BB01-600	10 sets	

Installation dimensions



BB drawer slide - BB02

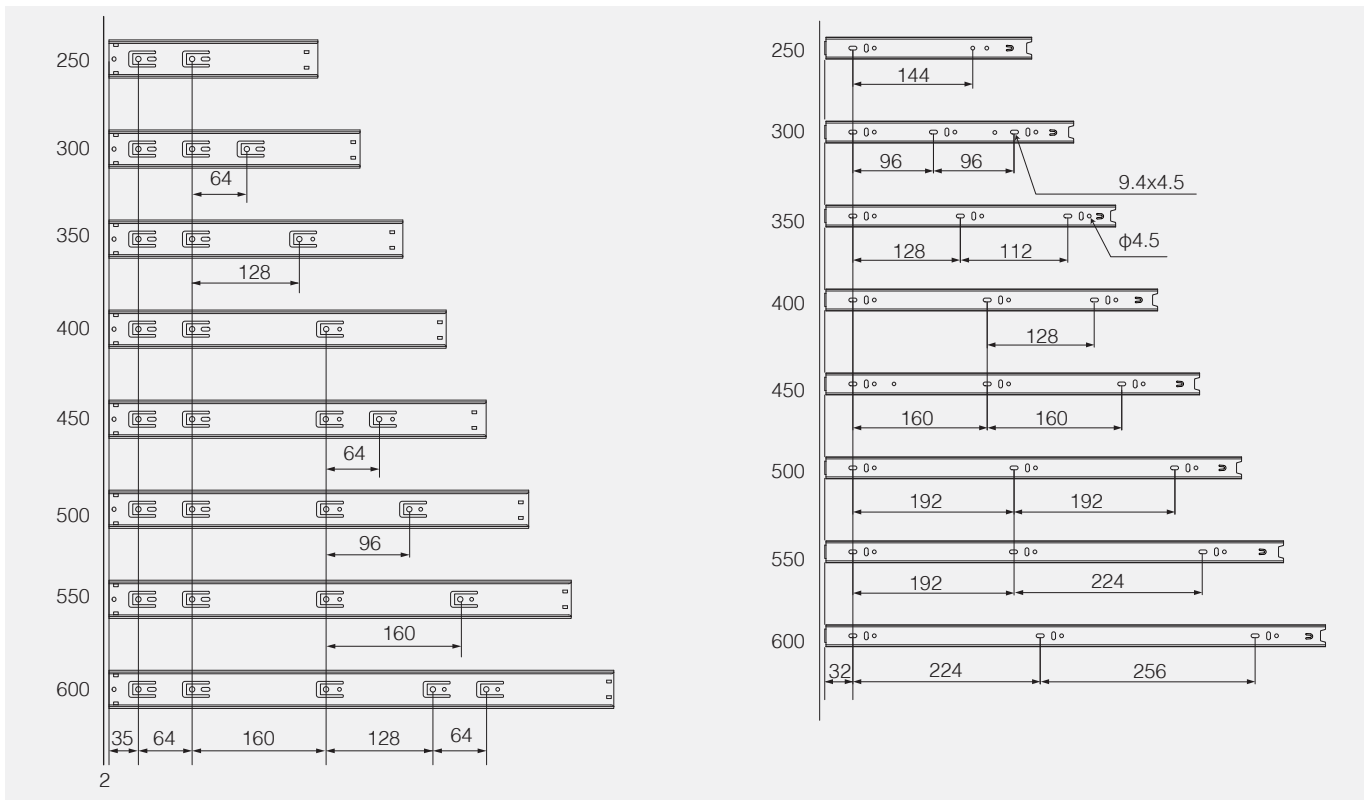
45mm; Full extension; Soft-close



- Material: cold-rolled steel
- Slide width: 45mm
- Slide thickness: 12.7mm
- Max load: 45 KG
- Length from 250-700mm
- Material thickness: 1.5x1.2x1.2mm
- Min internal depth: NL+10mm

NL	Item No.	Package	Remark
250	BB02-250	10 sets	Package includes * Left & right drawer slide
300	BB02-300	10 sets	
350	BB02-350	10 sets	
400	BB02-400	10 sets	
450	BB02-450	10 sets	
500	BB02-500	10 sets	
550	BB02-550	10 sets	
600	BB02-600	10 sets	
650	BB02-650	10 sets	
700	BB02-700	10 sets	

Installation dimensions



BB drawer slide - BB03

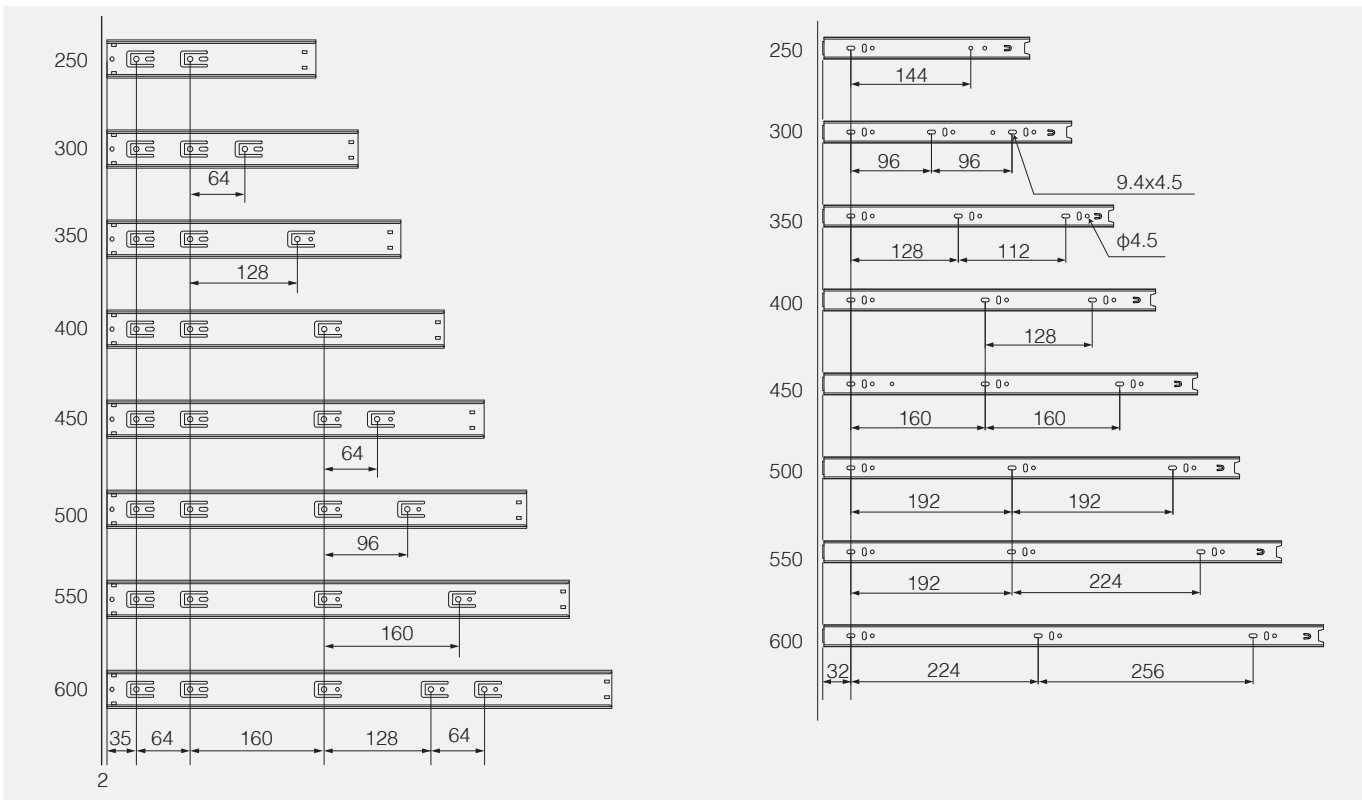
45mm; Full extension; Push-open



- Material: cold-rolled steel
- Slide width: 45mm
- Slide thickness: 12.7mm
- Max load: 45 KG
- Length from 250-750mm
- Material thickness: 1.5x1.2x1.2mm
- Min internal depth: NL+10mm

NL	Item No.	Package	Remark
250	BB03-250	10 sets	Package includes * Left & right drawer slide
300	BB03-300	10 sets	
350	BB03-350	10 sets	
400	BB03-400	10 sets	
450	BB03-450	10 sets	
500	BB03-500	10 sets	
550	BB03-550	10 sets	
600	BB03-600	10 sets	
650	BB03-650	10 sets	
700	BB03-700	10 sets	

Installation dimensions



BB drawer slide - BB04

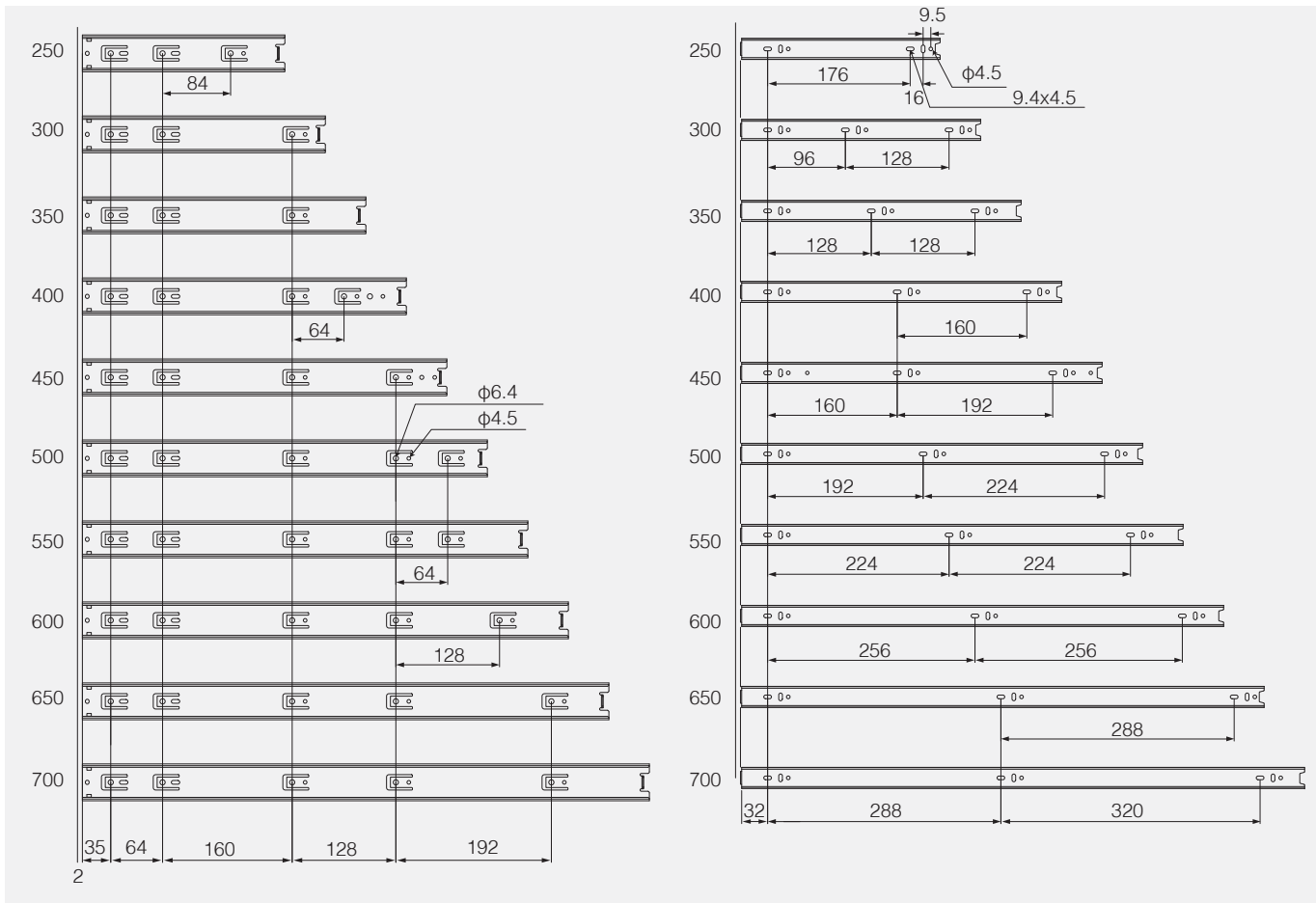
45mm; Full extension;



- Material: cold-rolled steel
- Slide width: 45mm
- Slide thickness: 12.7mm
- Max load: 45 KG
- Length from 250-750mm
- Material thickness: 1.5x1.2x1.2mm
- Min internal depth: NL+10mm

NL	Item No.	Package	Remark
250	BB04-250	10 sets	Package includes * Left & right drawer slide
300	BB04-300	10 sets	
350	BB04-350	10 sets	
400	BB04-400	10 sets	
450	BB04-450	10 sets	
500	BB04-500	10 sets	
550	BB04-550	10 sets	
600	BB04-600	10 sets	
650	BB04-650	10 sets	
700	BB04-700	10 sets	

Installation dimensions



BB drawer slide - BB12

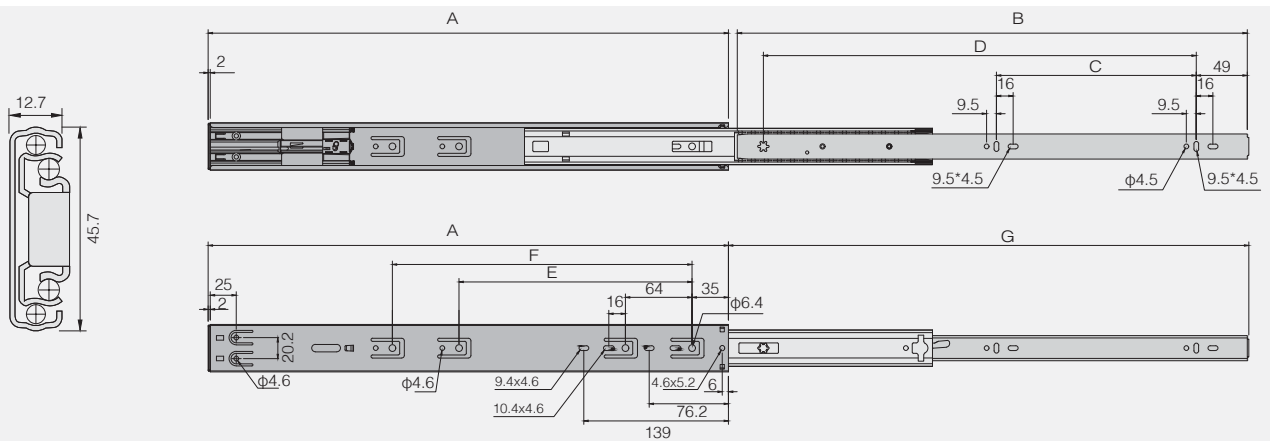
45mm; Full extension; Soft-close; 1.2x1.0x1.0



- Material: cold-rolled steel
- Slide width: 45mm
- Slide thickness: 12.7mm
- Max load: 35 KG
- Length from 250-600mm
- Material thickness: 1.2x1.0x1.0mm
- Min internal depth: NL+10mm

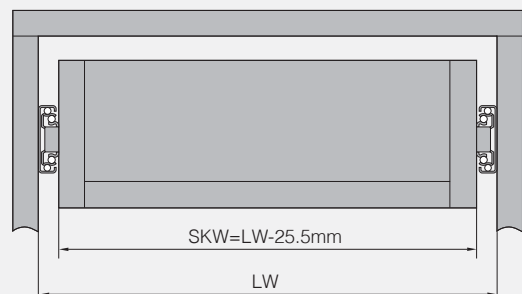
NL	Item No.	Package	Remark
250	BB12-250	15 sets	Package includes * Left & right drawer slide
300	BB12-300	15 sets	
350	BB12-350	15 sets	
400	BB12-400	15 sets	
450	BB12-450	15 sets	
500	BB12-500	15 sets	
550	BB12-550	15 sets	
600	BB12-600	15 sets	

Installation dimensions



Size	A	B	C	D	E	F	G
250mm	250	240		160			190
300mm	300	290	64	224			255
350mm	350	340	96	256	128		340
400mm	400	390	128	320	192		400
450mm	450	440	160	352	224		450
500mm	500	490	192	416	256		500
550mm	550	540	224	448	224	320	550
600mm	600	590	224	612	224	352	600

Drawer dimension



BB drawer slide - BB14

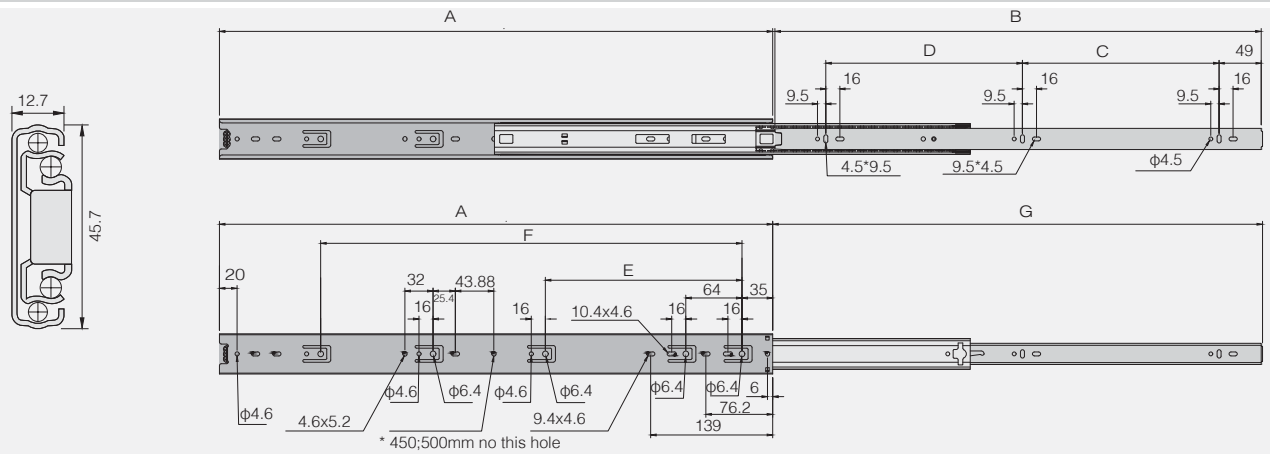
45mm; Full extension; 1.2x1.0x1.0



- Material: cold-rolled steel
- Slide width: 45mm
- Slide thickness: 12.7mm
- Max load: 35 KG
- Length from 250-600mm
- Material thickness: 1.2x1.0x1.0mm
- Min internal depth: NL+10mm

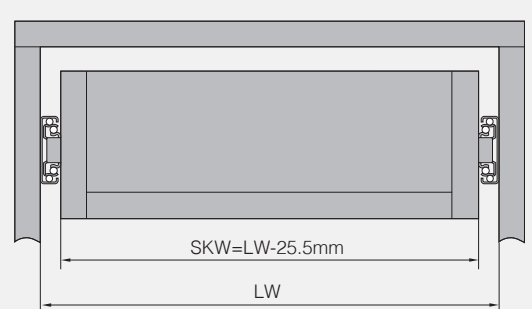
NL	Item No.	Package	Remark
250	BB14-250	15 sets	Package includes * Left & right drawer slide
300	BB14-300	15 sets	
350	BB14-350	15 sets	
400	BB14-400	15 sets	
450	BB14-450	15 sets	
500	BB14-500	15 sets	
550	BB14-550	15 sets	
600	BB14-600	15 sets	

Installation dimensions



Size	A	B	C	D	E	F	G
250mm	250	245	133.5		160		250
300mm	300	295	174.5	128	224		300
350mm	350	345	96	128	224		350
400mm	400	395	128	160	224	228	400
450mm	450	445	160	292	224		450
500mm	500	495	192	224	224	416	500
550mm	550	545	224	224	224	416	550
600mm	600	595	256	256	224	480	600

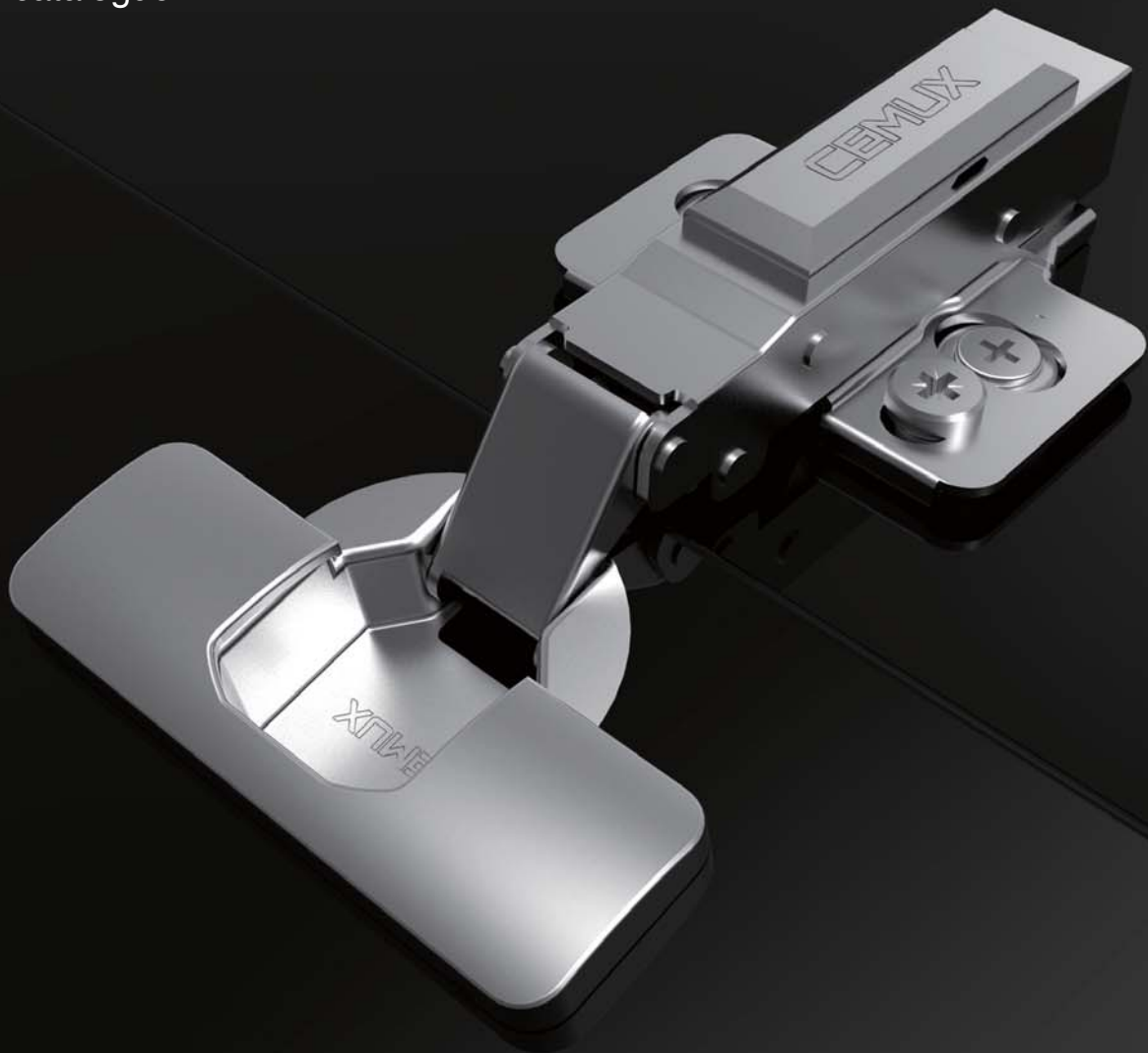
Drawer dimension



CEMUX

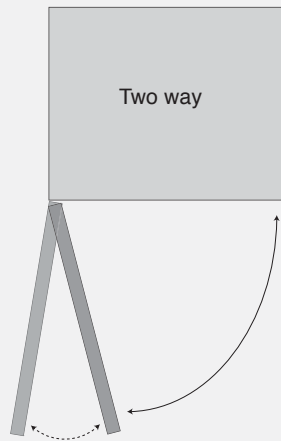
CONCEALED HINGE SYSTEM FROM CEMUX - V HINGE

V hinge catalogue



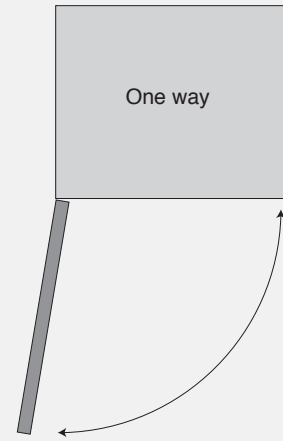
LIVE YOUR LIFE | CEMUX.CO.UK

Opening



Two way

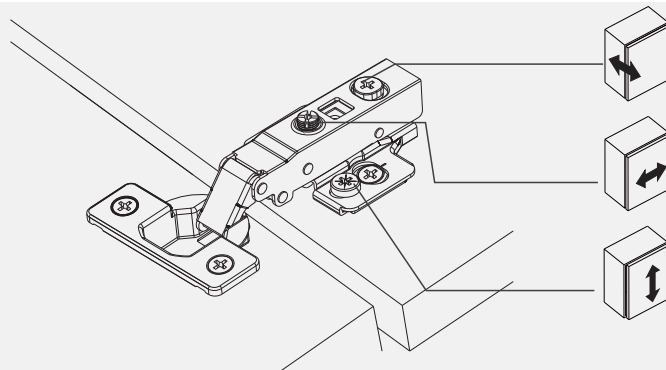
Within a certain range, the door panel can be moved at any position



One way

Door panel only can be full open position

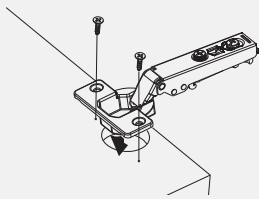
Adjustment



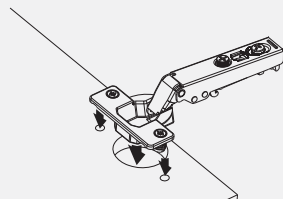
Cam adjustment

Semi-automatic screw can make 5mm depth adjustment without removing panel by hand

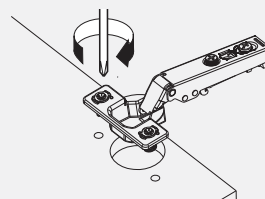
Hinge cup assembly



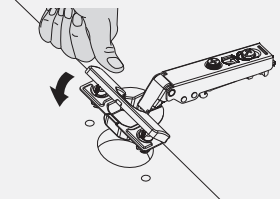
Wooden screw: 4x16mm
Pre-mounted euro screw: 6.3x14mm



Pre-mounted $\phi 8/10$ mm
press in dowel with tool

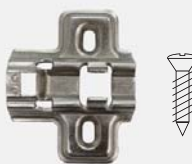


Pre-mounted $\phi 8/10$ mm
expando dowel



Impresso $\phi 8/10$ mm
expando dowel

Hinge plate assembly



Wooden screw: 4x16mm



Pre-mounted euro screw



Pre-mounted $\phi 5$ mm expando dowel

V Hinge system

Contents

Grace black							
Item No.	Degree	Opening		Closing		Cam	Special
		Two way	One way	Soft-close	Non Soft-close		
H97	105		●	●	●	●	
H82	105		●	●	●	●	Aluminium
H84	95		●	●		●	Thick door

Clip on							
Item No.	Degree	Opening		Closing		Cam	Special
		Two way	One way	Soft-close	Non Soft-close		
V17	105	●		●	●	●	
V27	105	●		●	●	●	
V18	105		●	●	●	●	
V96	165	●		●	●	●	
H88	105	●		●	●	●	
H89	105		●	●	●	●	
H72	105		●	●	●		
H96	155	●		●	●	●	
H94	95	●		●	●		Thick door
H93	120	●		●	●		
H45	45		●	●	●	●	
H90	90		●	●	●	●	
H17	135	●			●		
H92	105	●		●	●		Aluminium
H52	105		●	●	●	●	Aluminium

V Hinge system
Contents

Slide on							
Item No.	Degree	Opening		Closing		Cam	Special
		Two way	One way	Soft-close	Non Soft-close		
H55	105		●	●			
H11	105	●			●		
H18	165		●		●		
H15	45	●			●		
H25	90	●			●		
H35	135	●			●		
H20	105		●		●		Aluminium

Hinge item no.

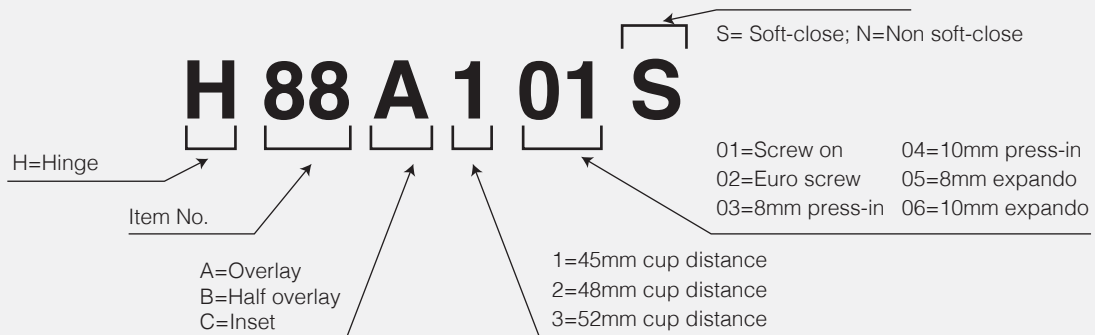
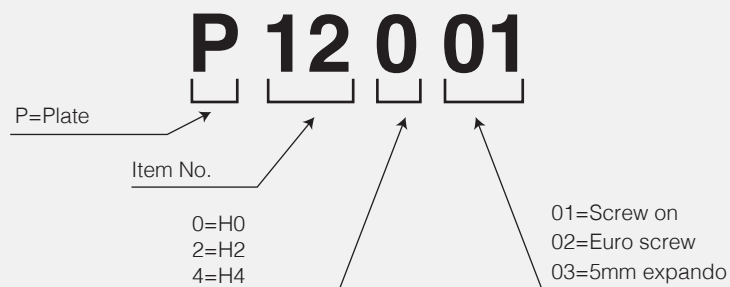


Plate item no.



**New design
- Grace Black
with in-line plate**

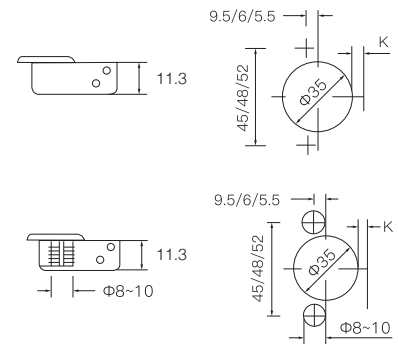


V Hinge system

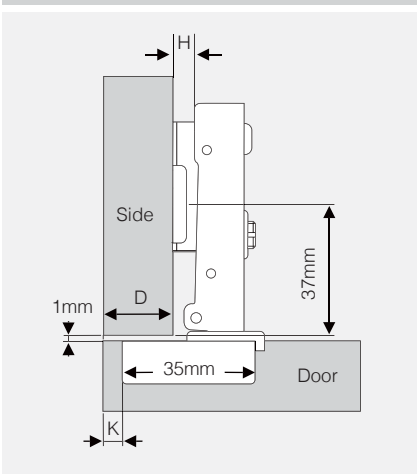
H97-105°; Clip-on; One way; Cam adjustment; Soft-close



- Installation: Clip-on
- Opening degree: 105°
- Cup diameter: 35mm
- Cup depth: 11.3mm
- Cup distance: 45/48/52mm
- Door thickness: 14-22mm

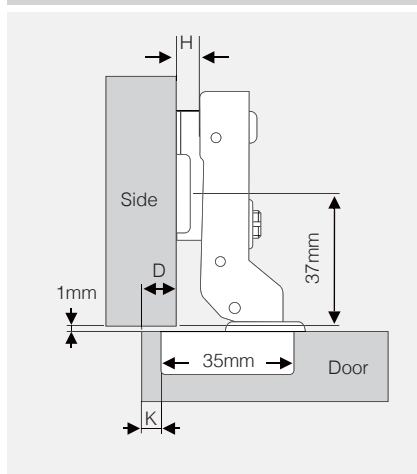


Overlay



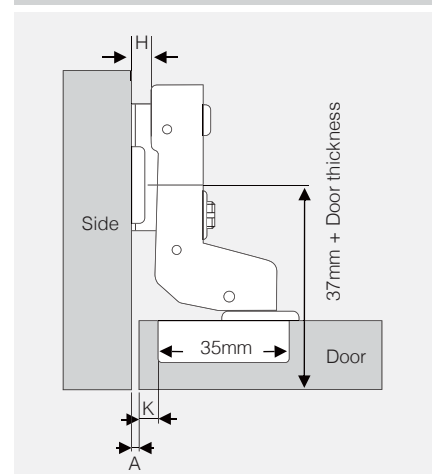
		K-Cup distance				
		3	4	5	6	7
D-Door overlay	21.0					0
	20.0				0	
	19.0			0		
	18.0		0			
	17.0	0				
		H-Mounting plate height				

Half overlay



		K-Cup distance				
		3	4	5	6	7
D-Door overlay	12.0					0
	11.0				0	
	10.0			0		
	9.0		0			
	8.0	0				
		H-Mounting plate height				

Inset



		K-Cup distance				
		3	4	5	6	7
A-Door reveal	4.0					
	3.0					
	2.0					
	1.0	0				
	0.0		0			
	-1.0			0		
	-2.0				0	
	-3.0					0
-4.0						
		H-Mounting plate height				

Cup assembly	Item No.
Screw on	H97A101S
Euro screw	H97A102S
φ8 press-in	H97A103S
φ10 press-in	H97A104S
φ8 expando	H97A105S
φ10 expando	H97A106S

Cup assembly	Item No.
Screw on	H97B101S
Euro screw	H97B102S
φ8 press-in	H97B103S
φ10 press-in	H97B104S
φ8 expando	H97B105S
φ10 expando	H97B106S

Cup assembly	Item No.
Screw on	H97C101S
Euro screw	H97C102S
φ8 press-in	H97C103S
φ10 press-in	H97C104S
φ8 expando	H97C105S
φ10 expando	H97C106S

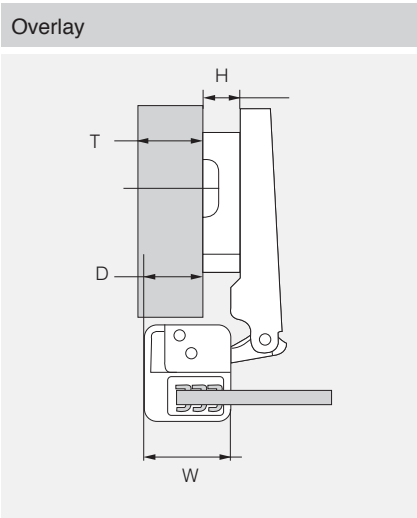
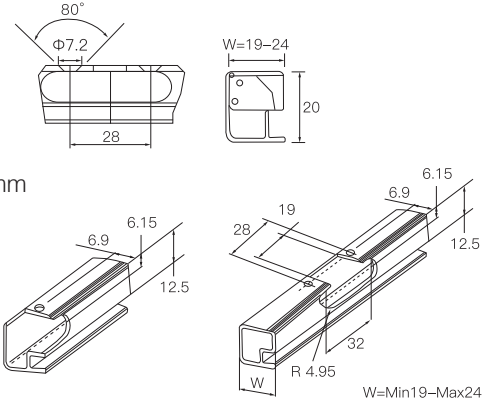
* Standard cup distance is 45mm; if 48mm, please change code Hxxx1xxx to Hxxx2xxx; 52mm change to Hxxx3xxxS
 * Non soft-close change code HxxxxxxS to HxxxxxxN

V Hinge system

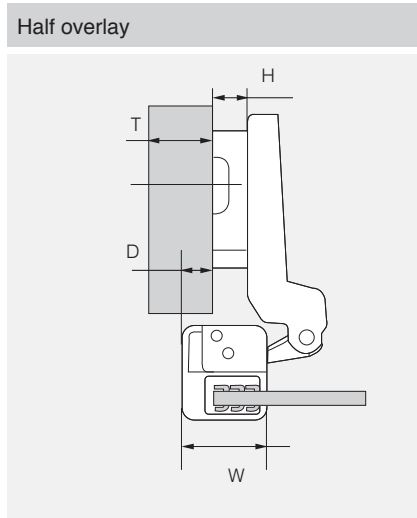
H82-105°; Aluminum frame door; Clip-on; One way; Cam adjustment; Soft-close



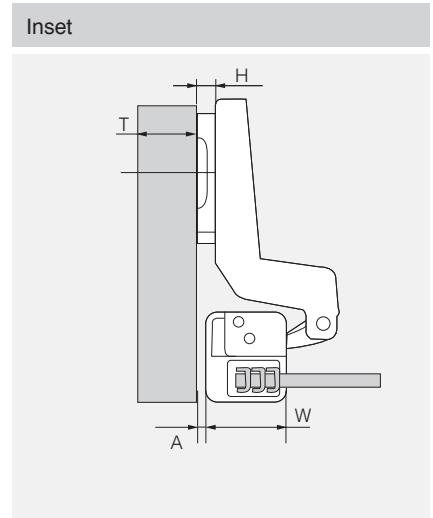
- Installation: Clip-on
- Opening degree: 105°
- Cup distance: 28mm
- Aluminum frame width: 19-24mm



		W-Width of aluminum frame					
		19	20	21	22	23	24
D-Door overlay	22.0						0
	21.0					0	
	20.0				0		
	19.0			0			
	18.0	0					
	17.0	0					
		H-Mounting plate height					



		W-Width of aluminum frame					
		19	20	21	22	23	24
D-Door overlay	13.0						0
	12.0					0	
	11.0				0		
	10.0			0			
	9.0	0					
	8.0	0					
		H-Mounting plate height					



		K-Cup distance					
		19	20	21	22	23	24
A-Door reveal	1.0	0					
	0.0		0				
	-1.0			0			
	-2.0				0		
	-3.0					0	
	-4.0						0
		H-Mounting plate height					

Cup assembly	Item No.
Screw on	H82A101S
Euro screw	H82A102S
φ8 press-in	H82A103S
φ10 press-in	H82A104S
φ8 expando	H82A105S
φ10 expando	H82A106S

Cup assembly	Item No.
Screw on	H82B101S
Euro screw	H82B102S
φ8 press-in	H82B103S
φ10 press-in	H82B104S
φ8 expando	H82B105S
φ10 expando	H82B106S

Cup assembly	Item No.
Screw on	H82C101S
Euro screw	H82C102S
φ8 press-in	H82C103S
φ10 press-in	H82C104S
φ8 expando	H82C105S
φ10 expando	H82C106S

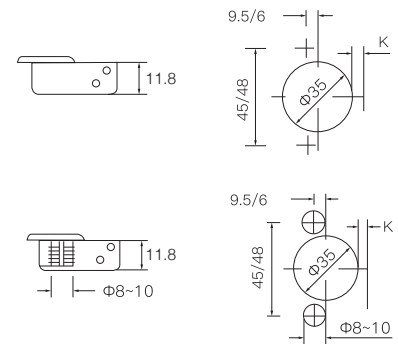
* Non soft-close change code HxxxxxS to HxxxxxN

V Hinge system

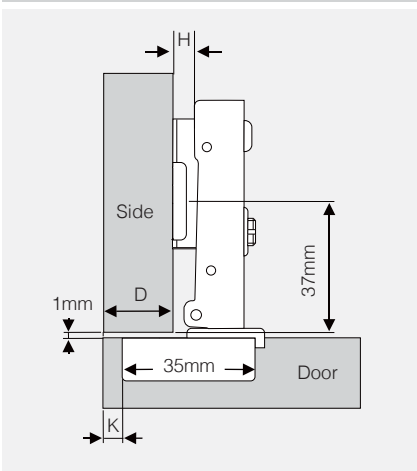
H84-95°; Thick door; Clip-on; One way; Cam adjustment; Soft-close



- Installation: Clip-on
- Opening degree: 95°
- Cup diameter: 35mm
- Cup depth: 11.8mm
- Cup distance: 45/48mm
- Door thickness: 15-30mm

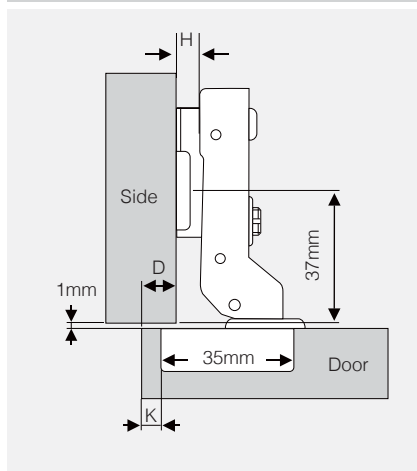


Overlay



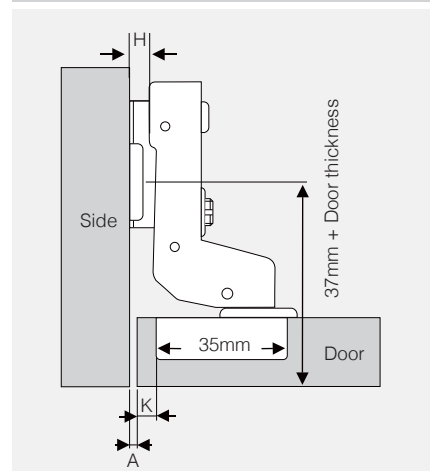
		K-Cup distance					
		3	4	5	6	7	8
D-Door overlay	21.0						0
	20.0					0	
	19.0				0		
	18.0			0			
	17.0		0				
	16.0	0					
		H-Mounting plate height					

Half overlay



		K-Cup distance					
		3	4	5	6	7	8
D-Door overlay	12.0						0
	11.0					0	
	10.0				0		
	9.0			0			
	8.0		0				
	7.0	0					
		H-Mounting plate height					

Inset



		K-Cup distance					
		3	4	5	6	7	8
A-Door reveal	2.5	0					
	1.5		0				
	0.5			0			
	-0.5				0		
	-1.5					0	
	-2.5						0
		H-Mounting plate height					

Cup assembly	Item No.
Screw on	H84A101S
Euro screw	H84A102S
φ8 press-in	H84A103S
φ10 press-in	H84A104S
φ8 expando	H84A105S
φ10 expando	H84A106S

Cup assembly	Item No.
Screw on	H84B101S
Euro screw	H84B102S
φ8 press-in	H84B103S
φ10 press-in	H84B104S
φ8 expando	H84B105S
φ10 expando	H84B106S

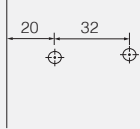
Cup assembly	Item No.
Screw on	H84C101S
Euro screw	H84C102S
φ8 press-in	H84C103S
φ10 press-in	H84C104S
φ8 expando	H84C105S
φ10 expando	H84C106S

* Standard cup distance is 45mm; if 48mm, please change code Hxxx1xxx to Hxxx2xxx; 52mm change to Hxxx3xxS
 * Non soft-close change code HxxxxxxS to HxxxxxxN

V Hinge system

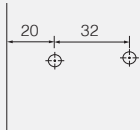
Hinge plate for Grace black

In-line plate - P13



Assembly	H=0
	Item No.
Screw on	P13001

In-line plate - P15 * Only for H84-95° hinge



Assembly	H=0
	Item No.
Screw on	P15001

Hinge arm cover



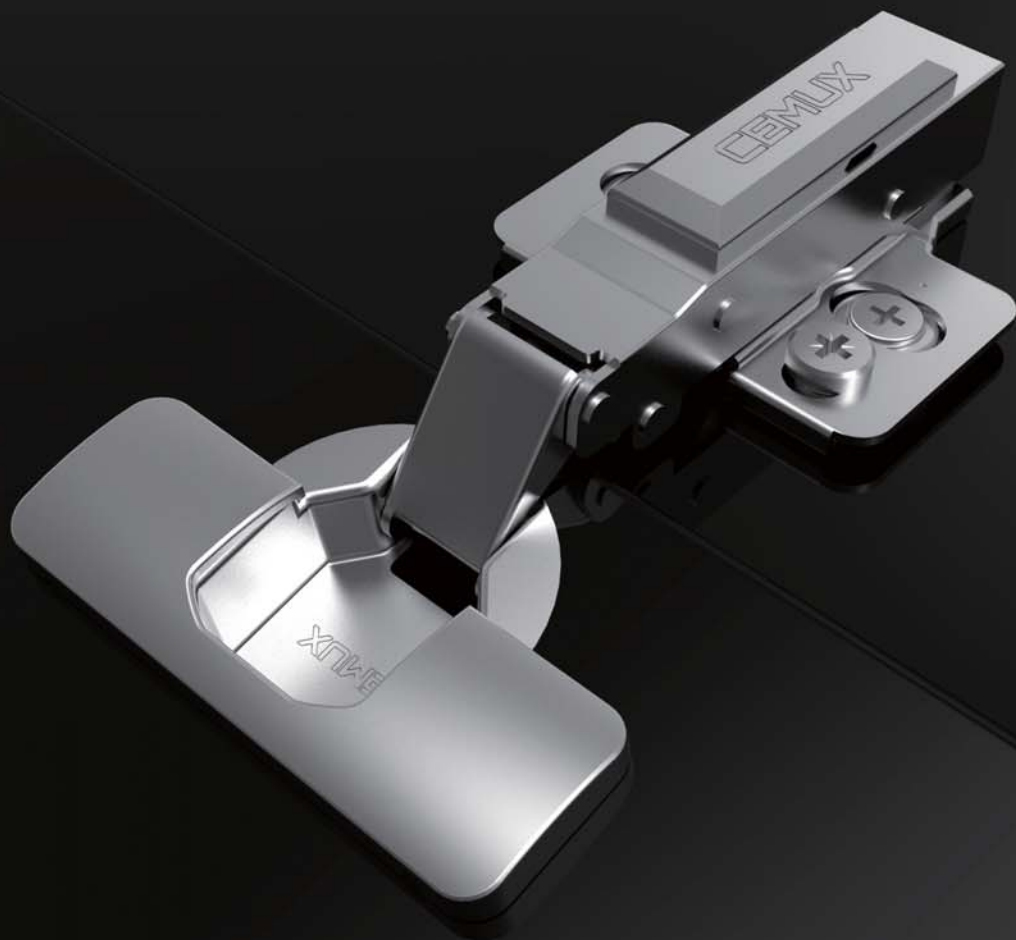
Hinge arm cover	Item No.
With Cemux logo	HAC11
Without Cemux logo	HAC12

Hinge cup cover



Hinge cup cover	Item No.
	HCC11

Clip-on soft close

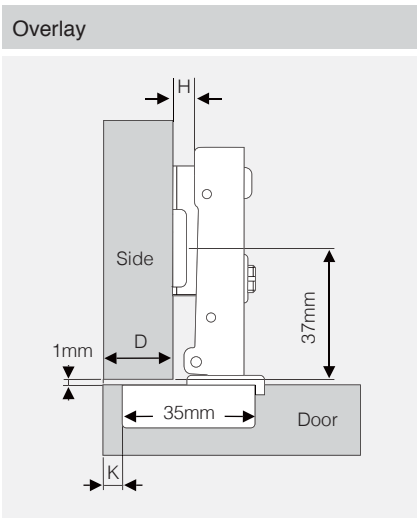
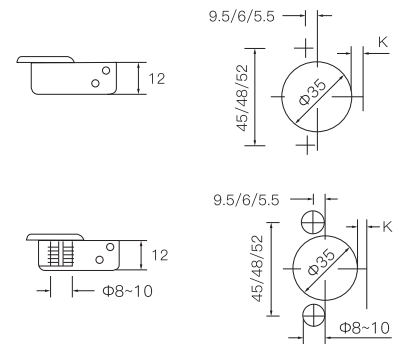


V Hinge system

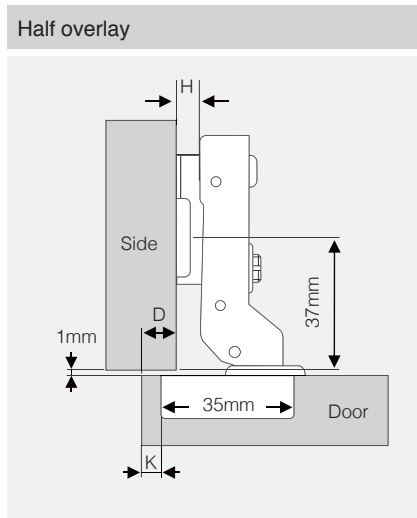
V17-105°; Clip-on; Two way; Cam adjustment; Soft-close



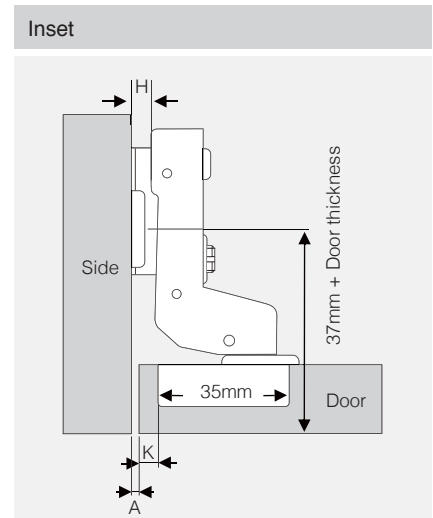
- Installation: Clip-on
- Opening degree: 105°
- Cup diameter: 35mm
- Cup depth: 12mm
- Cup distance: 45/48/52mm
- Door thickness: 14-22mm



		K-Cup distance				
		3	4	5	6	7
D-Door overlay	21.0					0
	20.0				0	
	19.0			0		2
	18.0		0		2	
	17.0	0		2		4
	16.0		2		4	
	15.0	2		4		
	14.0		4			
13.0	4					
		H-Mounting plate height				



		K-Cup distance				
		3	4	5	6	7
D-Door overlay	11.0					0
	10.0				0	
	9.0			0		2
	8.0		0		2	
	7.0	0		2		4
	6.0		2		4	
	5.0	2		4		
	4.0		4			
3.0	4					
		H-Mounting plate height				



		K-Cup distance				
		3	4	5	6	7
A-Door reveal	5.0	4				
	4.0		4			
	3.0	2		4		
	2.0		2		4	
	1.0	0		2		4
	0.0		0		2	
	-1.0			0		2
	-2.0				0	
-3.0					0	
		H-Mounting plate height				

Cup assembly	Item No.
Screw on	V17A101S
Euro screw	V17A102S
φ8 press-in	V17A103S
φ10 press-in	V17A104S
φ8 expando	V17A105S
φ10 expando	V17A106S
φ8 Impresso	V17A107S
φ10 Impresso	V17A108S

Cup assembly	Item No.
Screw on	V17B101S
Euro screw	V17B102S
φ8 press-in	V17B103S
φ10 press-in	V17B104S
φ8 expando	V17B105S
φ10 expando	V17B106S
φ8 Impresso	V17B107S
φ10 Impresso	V17B108S

Cup assembly	Item No.
Screw on	V17C101S
Euro screw	V17C102S
φ8 press-in	V17C103S
φ10 press-in	V17C104S
φ8 expando	V17C105S
φ10 expando	V17C106S
φ8 Impresso	V17C107S
φ10 Impresso	V17C108S

* Standard cup distance is 45mm; if 48mm, please change code Vxxx1xxx to Vxxx2xxx; 52mm change to Vxxx3xxxS

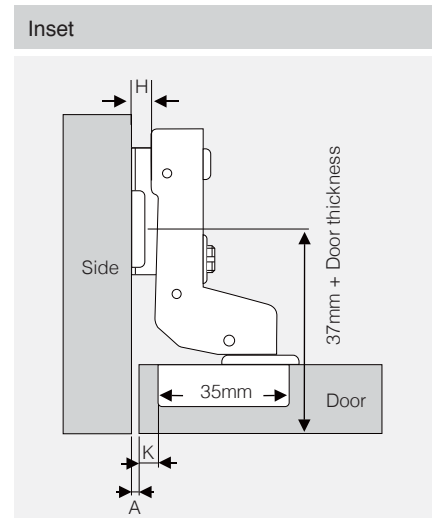
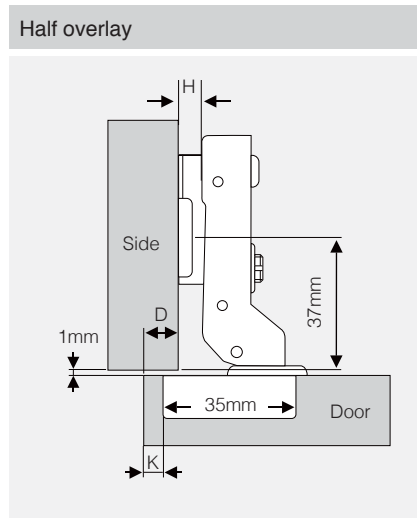
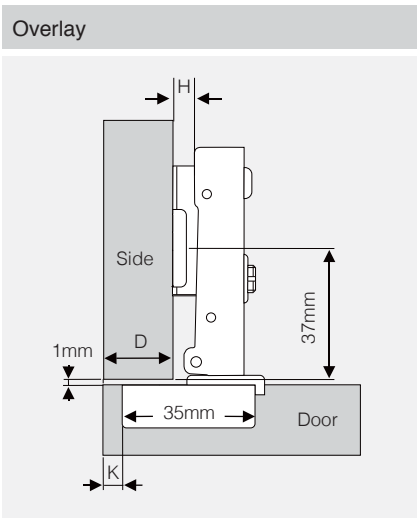
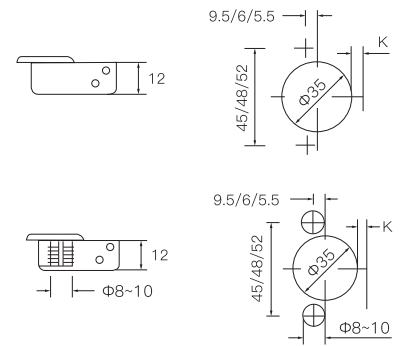
* Non soft-close change code VxxxxxS to VxxxxxN

V Hinge system

V27-105°; Clip-on; Two way; Cam adjustment; Soft-close



- Installation: Clip-on
- Opening degree: 105°
- Cup diameter: 35mm
- Cup depth: 12mm
- Cup distance: 45/48/52mm
- Door thickness: 14-22mm



		K-Cup distance				
		3	4	5	6	7
D-Door overlay	21.0					0
	20.0				0	
	19.0			0		2
	18.0		0		2	
	17.0	0		2		4
	16.0		2		4	
	15.0	2		4		
	14.0		4			
13.0	4					
		H-Mounting plate height				

		K-Cup distance				
		3	4	5	6	7
D-Door overlay	11.0					0
	10.0				0	
	9.0			0		2
	8.0		0		2	
	7.0	0		2		4
	6.0		2		4	
	5.0	2		4		
	4.0		4			
3.0	4					
		H-Mounting plate height				

		K-Cup distance				
		3	4	5	6	7
A-Door reveal	5.0	4				
	4.0		4			
	3.0	2		4		
	2.0		2		4	
	1.0	0		2		4
	0.0		0		2	
	-1.0			0		2
	-2.0				0	
-3.0					0	
		H-Mounting plate height				

Cup assembly	Item No.
Screw on	V27A101S
Euro screw	V27A102S
φ8 press-in	V27A103S
φ10 press-in	V27A104S
φ8 expando	V27A105S
φ10 expando	V27A106S
φ8 Impresso	V27A107S
φ10 Impresso	V27A108S

Cup assembly	Item No.
Screw on	V27B101S
Euro screw	V27B102S
φ8 press-in	V27B103S
φ10 press-in	V27B104S
φ8 expando	V27B105S
φ10 expando	V27B106S
φ8 Impresso	V27B107S
φ10 Impresso	V27B108S

Cup assembly	Item No.
Screw on	V27C101S
Euro screw	V27C102S
φ8 press-in	V27C103S
φ10 press-in	V27C104S
φ8 expando	V27C105S
φ10 expando	V27C106S
φ8 Impresso	V27C107S
φ10 Impresso	V27C108S

* Standard cup distance is 45mm; if 48mm, please change code Vxxx1xxx to Vxxx2xxx; 52mm change to Vxxx3xxxS

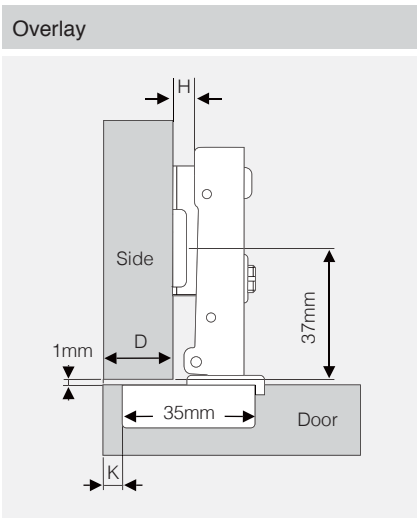
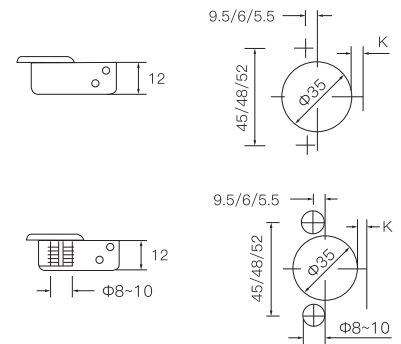
* Non soft-close change code VxxxxxS to VxxxxxN

V Hinge system

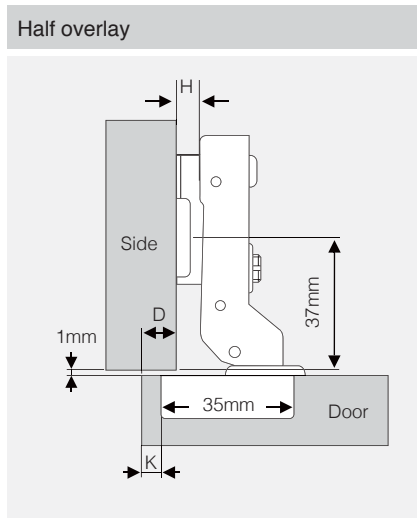
V18-105°; Clip-on; One way; Cam adjustment; Soft-close



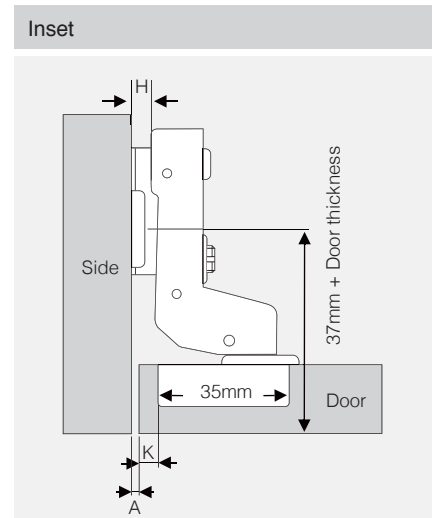
- Installation: Clip-on
- Opening degree: 105°
- Cup diameter: 35mm
- Cup depth: 12mm
- Cup distance: 45/48/52mm
- Door thickness: 14-22mm



		K-Cup distance				
		3	4	5	6	7
D-Door overlay	21.0					0
	20.0				0	
	19.0			0		2
	18.0		0		2	
	17.0	0		2		4
	16.0		2		4	
	15.0	2		4		
	14.0		4			
13.0	4					
		H-Mounting plate height				



		K-Cup distance				
		3	4	5	6	7
D-Door overlay	11.0					0
	10.0				0	
	9.0			0		2
	8.0		0		2	
	7.0	0		2		4
	6.0		2		4	
	5.0	2		4		
	4.0		4			
3.0	4					
		H-Mounting plate height				



		K-Cup distance				
		3	4	5	6	7
A-Door reveal	5.0	4				
	4.0		4			
	3.0	2		4		
	2.0		2		4	
	1.0	0		2		4
	0.0		0		2	
	-1.0			0		2
	-2.0				0	
-3.0					0	
		H-Mounting plate height				

Cup assembly	Item No.
Screw on	V18A101S
Euro screw	V18A102S
φ8 press-in	V18A103S
φ10 press-in	V18A104S
φ8 expando	V18A105S
φ10 expando	V18A106S
φ8 Impresso	V18A107S
φ10 Impresso	V18A108S

Cup assembly	Item No.
Screw on	V18B101S
Euro screw	V18B102S
φ8 press-in	V18B103S
φ10 press-in	V18B104S
φ8 expando	V18B105S
φ10 expando	V18B106S
φ8 Impresso	V18B107S
φ10 Impresso	V18B108S

Cup assembly	Item No.
Screw on	V18C101S
Euro screw	V18C102S
φ8 press-in	V18C103S
φ10 press-in	V18C104S
φ8 expando	V18C105S
φ10 expando	V18C106S
φ8 Impresso	V18C107S
φ10 Impresso	V18C108S

* Standard cup distance is 45mm; if 48mm, please change code Vxxx1xxx to Vxxx2xxx; 52mm change to Vxxx3xxxS

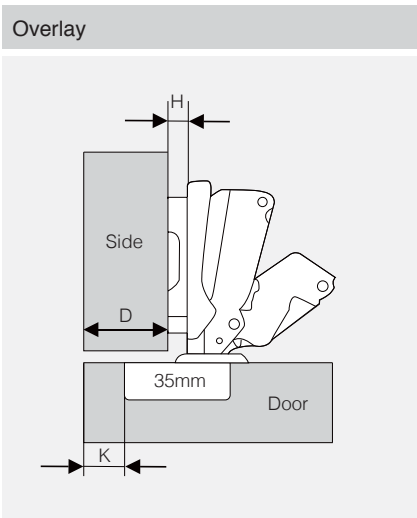
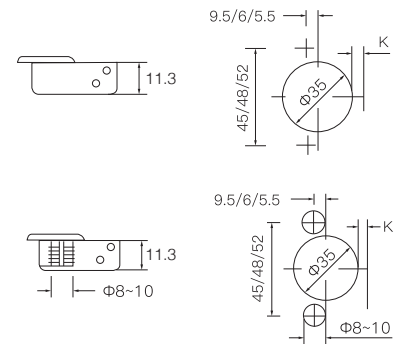
* Non soft-close change code VxxxxxxS to VxxxxxxN

V Hinge system

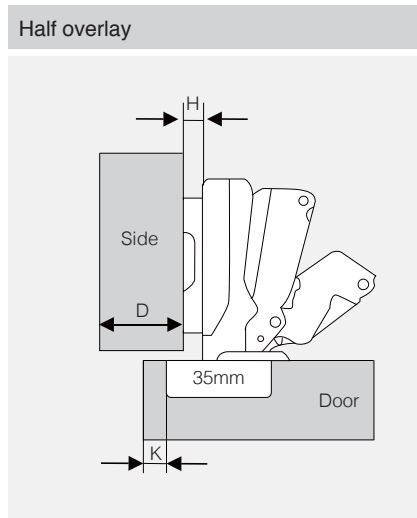
V96-165°; Clip-on; Two way; Cam adjustment; Soft-close



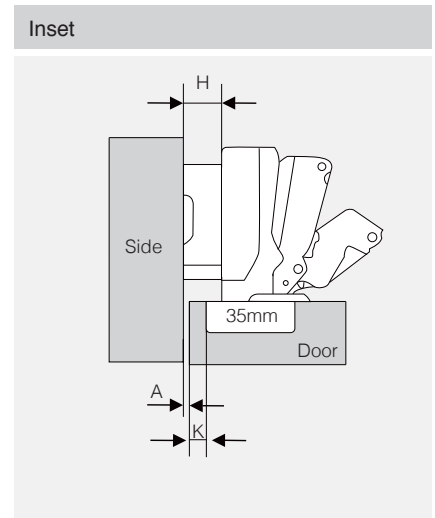
- Installation: Clip-on
- Opening degree: 165°
- Cup diameter: 35mm
- Cup depth: 11.3mm
- Cup distance: 45/48/52mm
- Door thickness: 16-24mm



		K-Cup distance				
		3	4	5	6	7
D-Door overlay	21.0					0
	20.0				0	
	19.0			0		2
	18.0		0		2	
	17.0	0		2		4
	16.0		2		4	
	15.0	2		4		
	14.0		4			
13.0	4					
		H-Mounting plate height				



		K-Cup distance				
		3	4	5	6	7
D-Door overlay	12.0					0
	11.0				0	
	10.0			0		2
	9.0		0		2	
	8.0	0		2		4
	7.0		2		4	
	6.0	2		4		
	5.0		4			
4.0	4					
		H-Mounting plate height				



		K-Cup distance				
		3	4	5	6	7
A-Door reveal	5.0	4				
	4.0		4			
	3.0	2		4		
	2.0		2		4	
	1.0			2		4
	0.0				2	
	-1.0					2
	-2.0					
-3.0						
		H-Mounting plate height				

Cup assembly	Item No.
Screw on	V96A101S
Euro screw	V96A102S
φ8 press-in	V96A103S
φ10 press-in	V96A104S
φ8 expando	V96A105S
φ10 expando	V96A106S

Cup assembly	Item No.
Screw on	V96B101S
Euro screw	V96B102S
φ8 press-in	V96B103S
φ10 press-in	V96B104S
φ8 expando	V96B105S
φ10 expando	V96B106S

Cup assembly	Item No.
Screw on	V96C101S
Euro screw	V96C102S
φ8 press-in	V96C103S
φ10 press-in	V96C104S
φ8 expando	V96C105S
φ10 expando	V96C106S

* Standard cup distance is 45mm; if 48mm, please change code Vxxx1xxx to Vxxx2xxx; 52mm change to Vxxx3xxS

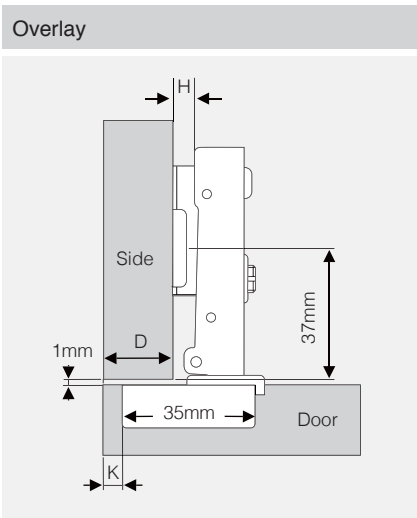
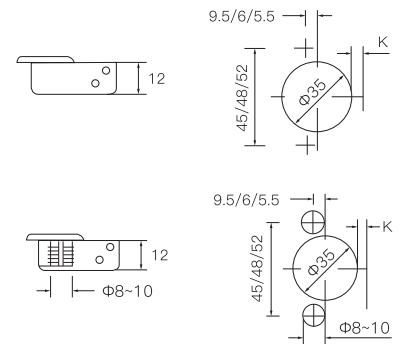
* Non soft-close change code VxxxxxS to VxxxxxN

V Hinge system

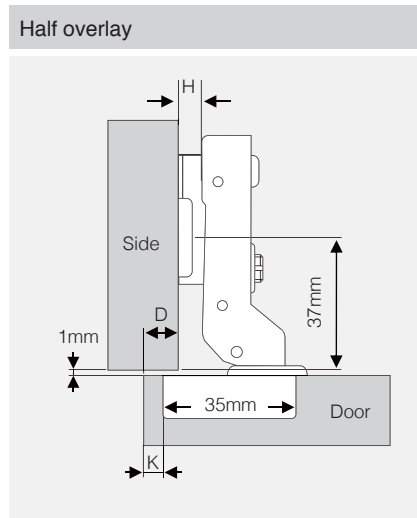
H88-105°; Clip-on; Two way; Cam adjustment; Soft-close



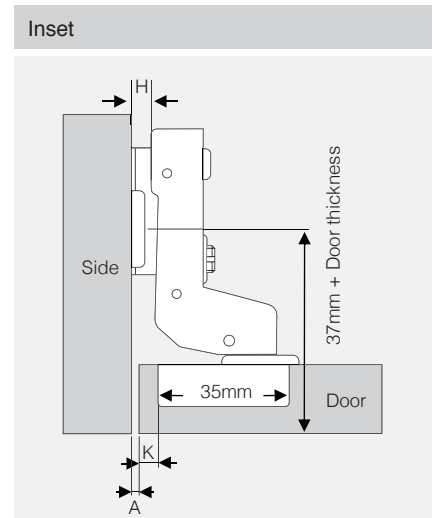
- Installation: Clip-on
- Opening degree: 105°
- Cup diameter: 35mm
- Cup depth: 12mm
- Cup distance: 45/48/52mm
- Door thickness: 14-22mm



		K-Cup distance				
		3	4	5	6	7
D-Door overlay	22.0					0
	21.0				0	
	20.0			0		2
	19.0		0		2	
	18.0	0		2		4
	17.0		2		4	
	16.0	2		4		
	15.0		4			
14.0	4					
		H-Mounting plate height				



		K-Cup distance				
		3	4	5	6	7
D-Door overlay	12.0					0
	11.0				0	
	10.0			0		2
	9.0		0		2	
	8.0	0		2		4
	7.0		2		4	
	6.0	2		4		
	5.0		4			
4.0	4					
		H-Mounting plate height				



		K-Cup distance				
		3	4	5	6	7
A-Door reveal	4.0	4				
	3.0		4			
	2.0	2		4		
	1.0		2		4	
	0.0	0		2		4
	-1.0		0		2	
	-2.0			0		2
	-3.0				0	
-4.0					0	
		H-Mounting plate height				

Cup assembly	Item No.
Screw on	H88A101S
Euro screw	H88A102S
φ8 press-in	H88A103S
φ10 press-in	H88A104S
φ8 expando	H88A105S
φ10 expando	H88A106S

Cup assembly	Item No.
Screw on	H88B101S
Euro screw	H88B102S
φ8 press-in	H88B103S
φ10 press-in	H88B104S
φ8 expando	H88B105S
φ10 expando	H88B106S

Cup assembly	Item No.
Screw on	H88C101S
Euro screw	H88C102S
φ8 press-in	H88C103S
φ10 press-in	H88C104S
φ8 expando	H88C105S
φ10 expando	H88C106S

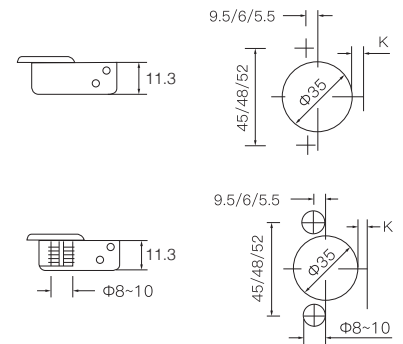
* Standard cup distance is 45mm; if 48mm, please change code Hxxx1xxx to Hxxx2xxx; 52mm change to Hxxx3xxx
 * Non soft-close change code HxxxxxxS to HxxxxxxN

V Hinge system

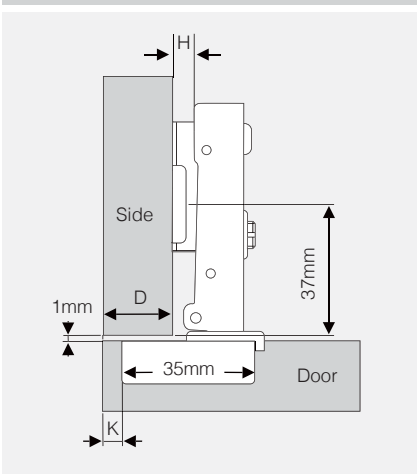
H89-105°; Clip-on; One way; Cam adjustment; Soft-close



- Installation: Clip-on
- Opening degree: 105°
- Cup diameter: 35mm
- Cup depth: 11.3mm
- Cup distance: 45/48/52mm
- Door thickness: 14-22mm

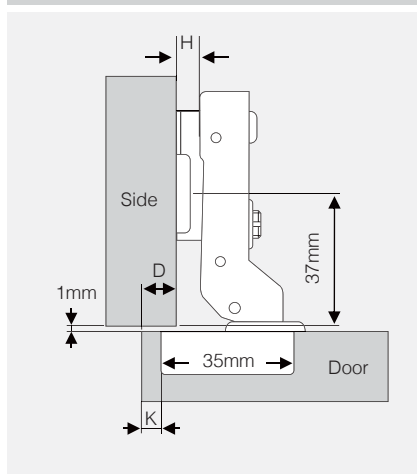


Overlay



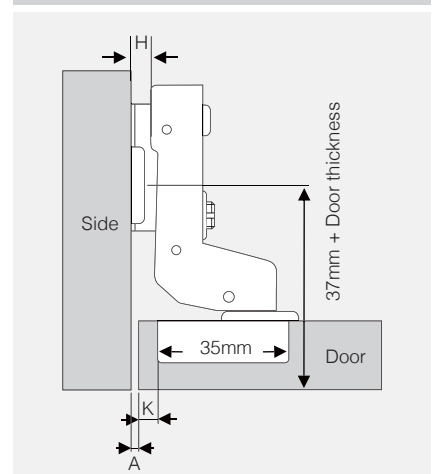
		K-Cup distance				
		3	4	5	6	7
D-Door overlay	22.0					0
	21.0				0	
	20.0			0		2
	19.0		0		2	
	18.0	0		2		4
	17.0		2		4	
	16.0	2		4		
	15.0		4			
14.0	4					
		H-Mounting plate height				

Half overlay



		K-Cup distance				
		3	4	5	6	7
D-Door overlay	12.0					0
	11.0				0	
	10.0			0		2
	9.0		0		2	
	8.0	0		2		4
	7.0		2		4	
	6.0	2		4		
	5.0		4			
4.0	4					
		H-Mounting plate height				

Inset



		K-Cup distance				
		3	4	5	6	7
A-Door reveal	4.0	4				
	3.0		4			
	2.0	2		4		
	1.0		2		4	
	0.0	0		2		4
	-1.0		0		2	
	-2.0			0		2
	-3.0				0	
-4.0					0	
		H-Mounting plate height				

Cup assembly	Item No.
Screw on	H89A101S
Euro screw	H89A102S
φ8 press-in	H89A103S
φ10 press-in	H89A104S
φ8 expando	H89A105S
φ10 expando	H89A106S

Cup assembly	Item No.
Screw on	H89B101S
Euro screw	H89B102S
φ8 press-in	H89B103S
φ10 press-in	H89B104S
φ8 expando	H89B105S
φ10 expando	H89B106S

Cup assembly	Item No.
Screw on	H89C101S
Euro screw	H89C102S
φ8 press-in	H89C103S
φ10 press-in	H89C104S
φ8 expando	H89C105S
φ10 expando	H89C106S

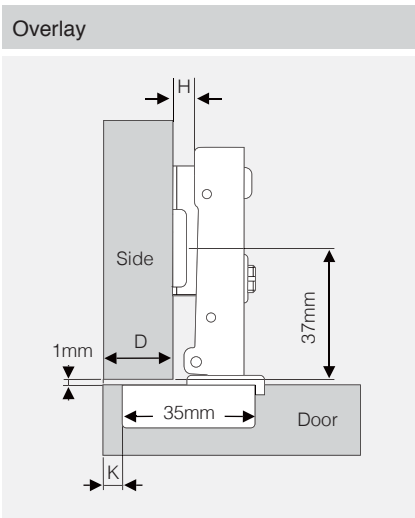
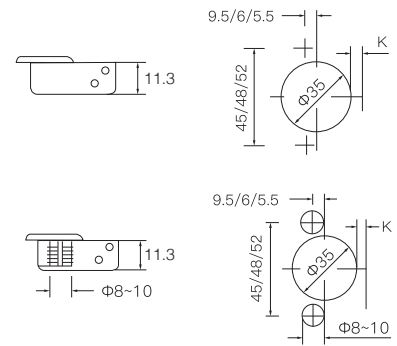
* Standard cup distance is 45mm; if 48mm, please change code Hxxx1xxx to Hxxx2xxx; 52mm change to Hxxx3xxx
 * Non soft-close change code HxxxxxxS to HxxxxxxN

V Hinge system

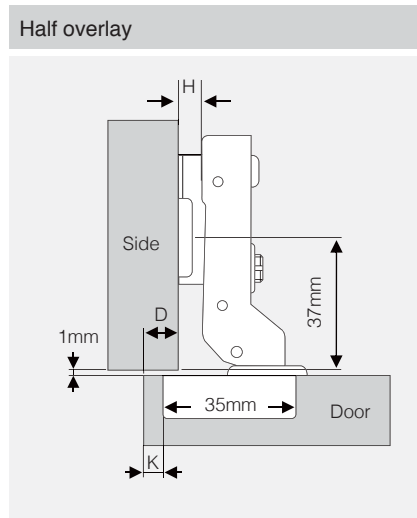
H72-105°; Clip-on; One way; Soft-close



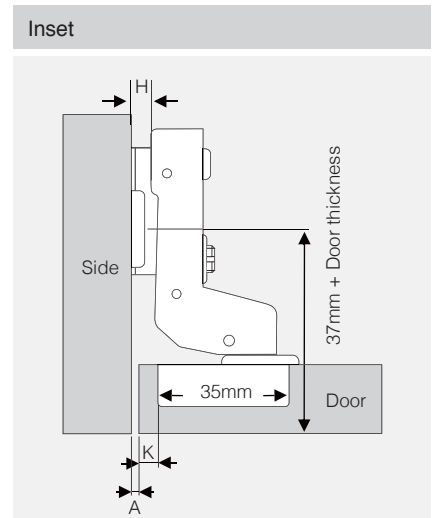
- Installation: Clip-on
- Opening degree: 105°
- Cup diameter: 35mm
- Cup depth: 11.3mm
- Cup distance: 45/48/52mm
- Door thickness: 14-22mm



		K-Cup distance				
		3	4	5	6	7
D-Door overlay	22.0					0
	21.0				0	
	20.0			0		2
	19.0		0		2	
	18.0	0		2		4
	17.0		2		4	
	16.0	2		4		
	15.0		4			
14.0	4					
		H-Mounting plate height				



		K-Cup distance				
		3	4	5	6	7
D-Door overlay	12.0					0
	11.0				0	
	10.0			0		2
	9.0		0		2	
	8.0	0		2		4
	7.0		2		4	
	6.0	2		4		
	5.0		4			
4.0	4					
		H-Mounting plate height				



		K-Cup distance				
		3	4	5	6	7
A-Door reveal	4.0	4				
	3.0		4			
	2.0	2		4		
	1.0		2		4	
	0.0	0		2		4
	-1.0		0		2	
	-2.0			0		2
	-3.0				0	
-4.0					0	
		H-Mounting plate height				

Cup assembly	Item No.
Screw on	H72A101S
Euro screw	H72A102S
φ8 press-in	H72A103S
φ10 press-in	H72A104S
φ8 expando	H72A105S
φ10 expando	H72A106S

Cup assembly	Item No.
Screw on	H72B101S
Euro screw	H72B102S
φ8 press-in	H72B103S
φ10 press-in	H72B104S
φ8 expando	H72B105S
φ10 expando	H72B106S

Cup assembly	Item No.
Screw on	H72C101S
Euro screw	H72C102S
φ8 press-in	H72C103S
φ10 press-in	H72C104S
φ8 expando	H72C105S
φ10 expando	H72C106S

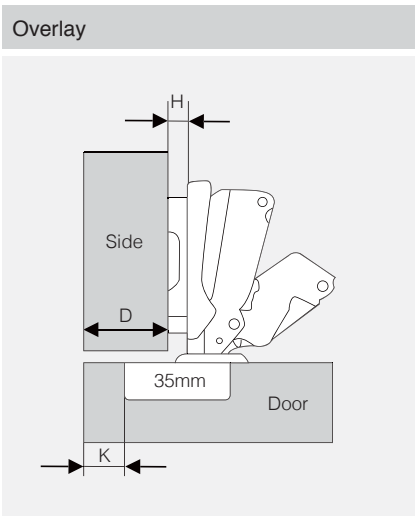
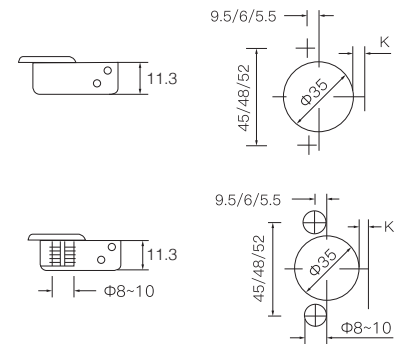
* Standard cup distance is 45mm; if 48mm, please change code Hxxx1xxx to Hxxx2xxx; 52mm change to Hxxx3xxxS
 * Non soft-close change code HxxxxxxS to HxxxxxxN

V Hinge system

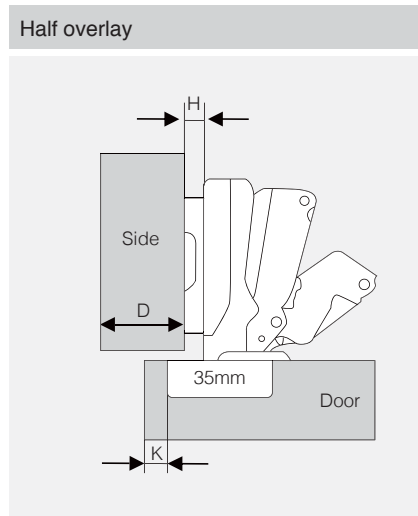
H96-155°; Clip-on; Two way; Cam adjustment; Soft-close



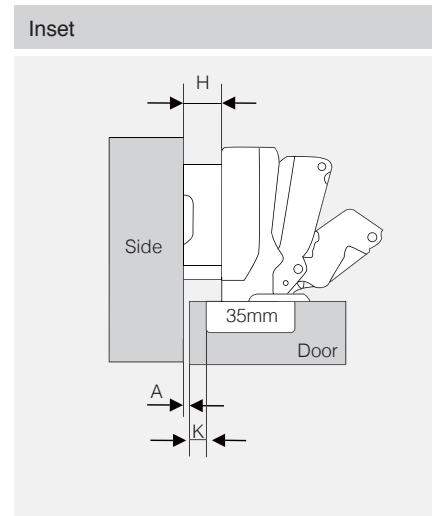
- Installation: Clip-on
- Opening degree: 155°
- Cup diameter: 35mm
- Cup depth: 11.3mm
- Cup distance: 45/48/52mm
- Door thickness: 16-24mm



		K-Cup distance				
		3	4	5	6	7
D-Door overlay	21.0					0
	20.0				0	
	19.0			0		2
	18.0		0		2	
	17.0	0		2		4
	16.0		2		4	
	15.0	2		4		
	14.0		4			
13.0	4					
		H-Mounting plate height				



		K-Cup distance				
		3	4	5	6	7
D-Door overlay	12.0					0
	11.0				0	
	10.0			0		2
	9.0		0		2	
	8.0	0		2		4
	7.0		2		4	
	6.0	2		4		
	5.0		4			
4.0	4					
		H-Mounting plate height				



		K-Cup distance				
		3	4	5	6	7
A-Door reveal	4.0	4				
	3.0		4			
	2.0	2		4		
	1.0		2		4	
	0.0	0		2		4
	-1.0		0		2	
	-2.0			0		2
	-3.0				0	
-4.0					0	
		H-Mounting plate height				

Cup assembly	Item No.
Screw on	H96A101S
Euro screw	H96A102S
φ8 press-in	H96A103S
φ10 press-in	H96A104S
φ8 expando	H96A105S
φ10 expando	H96A106S

Cup assembly	Item No.
Screw on	H96B101S
Euro screw	H96B102S
φ8 press-in	H96B103S
φ10 press-in	H96B104S
φ8 expando	H96B105S
φ10 expando	H96B106S

Cup assembly	Item No.
Screw on	H96C101S
Euro screw	H96C102S
φ8 press-in	H96C103S
φ10 press-in	H96C104S
φ8 expando	H96C105S
φ10 expando	H96C106S

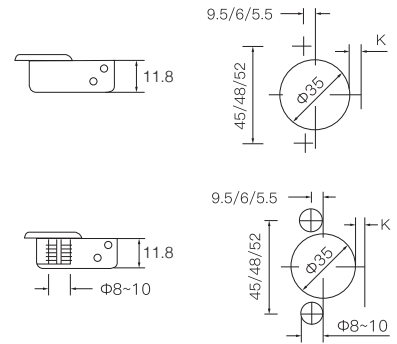
* Standard cup distance is 45mm; if 48mm, please change code Hxxx1xxx to Hxxx2xxx; 52mm change to Hxxx3xxxS
 * Non soft-close change code HxxxxxxS to HxxxxxxN

V Hinge system

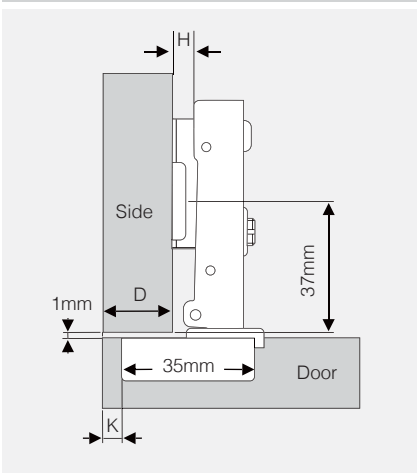
H94-95°; Thick door; Clip-on; Two way; Soft-close



- Installation: Clip-on
- Opening degree: 95°
- Cup diameter: 35mm
- Cup depth: 11.8mm
- Cup distance: 45/48/52mm
- Door thickness: 15-35mm

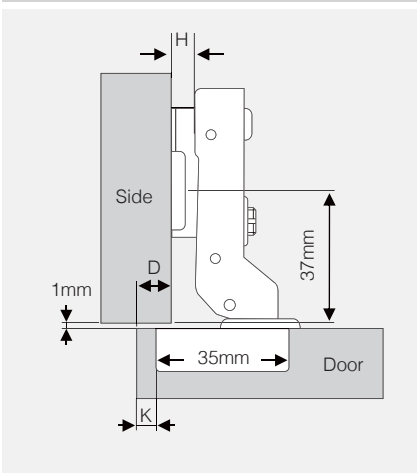


Overlay



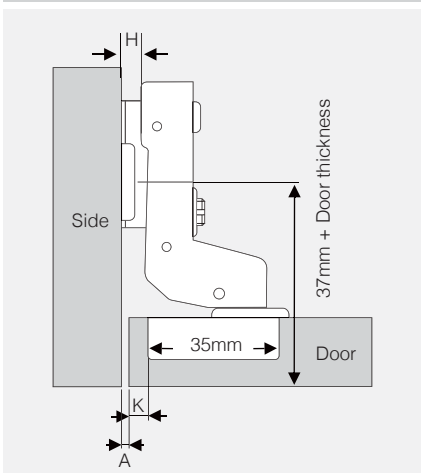
		K-Cup distance					
		3	4	5	6	7	8
D-Door overlay	22.0						0
	21.0					0	
	20.0				0		2
	19.0			0		2	
	18.0		0		2		4
	17.0	0		2		4	
	16.0		2		4		
	15.0	2		4			
	14.0		4				
13.0	4						
		H-Mounting plate height					

Half overlay



		K-Cup distance					
		3	4	5	6	7	8
D-Door overlay	13.0						0
	12.0					0	
	21.0				0		2
	10.0			0		2	
	9.0		0		2		4
	8.0	0		2		4	
	7.0		2		4		
	6.0	2		4			
	5.0		4				
4.0	4						
		H-Mounting plate height					

Inset



		K-Cup distance					
		3	4	5	6	7	8
A-Door reveal	5.5	4					
	4.5		4				
	3.5	2		4			
	2.5		2		4		
	1.5	0		2		4	
	0.5		0		2		4
	-0.5			0		2	
	-1.5				0		2
	-2.5					0	
							0
	-3.5						
		H-Mounting plate height					

Cup assembly	Item No.
Screw on	H94A101S
Euro screw	H94A102S
φ8 press-in	H94A103S
φ10 press-in	H94A104S
φ8 expando	H94A105S
φ10 expando	H94A106S

Cup assembly	Item No.
Screw on	H94B101S
Euro screw	H94B102S
φ8 press-in	H94B103S
φ10 press-in	H94B104S
φ8 expando	H94B105S
φ10 expando	H94B106S

Cup assembly	Item No.
Screw on	H94C101S
Euro screw	H94C102S
φ8 press-in	H94C103S
φ10 press-in	H94C104S
φ8 expando	H94C105S
φ10 expando	H94C106S

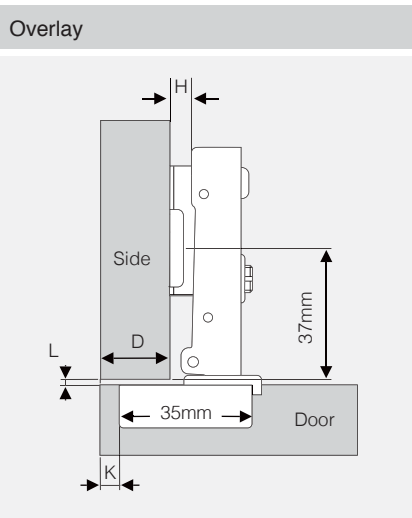
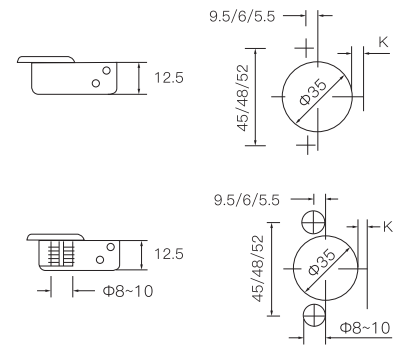
* Standard cup distance is 45mm; if 48mm, please change code Hxxx1xxx to Hxxx2xxx; 52mm change to Hxxx3xxxS
 * Non soft-close change code HxxxxxxS to HxxxxxxN

V Hinge system

H93-120°; Clip-on; Two way; Soft-close



- Installation: Clip-on
- Opening degree: 120°
- Cup diameter: 35mm
- Cup depth: 12.5mm
- Cup distance: 45/48/52mm
- Door thickness: 16-22mm



		K-Cup distance				
		3	4	5		
D-Door overlay	18.0			0		
	17.0		0			
	16.0	0		2		
	15.0		2			
	14.0	2		4		
	13.0		4			
	12.0	4				
		H-Mounting plate height				

		D-Door overlay							
		15	16	17	18	19	20	21	22
K-Cup distance	K=3	0.5	0.5	0.5	0.9	1.0	1.4	1.9	2.4
	K=4	0.5	0.5	0.8	1.3	1.8	2.3	2.8	3.3
	K=5	0.7	1.2	1.7	2.2	2.7	3.2	3.7	4.2
		L - Min. gap for doors							

Cup assembly	Item No.
Screw on	H93A101S
Euro screw	H93A102S
φ8 press-in	H93A103S
φ10 press-in	H93A104S
φ8 expando	H93A105S
φ10 expando	H93A106S

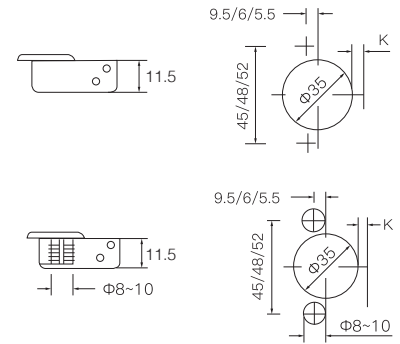
* Standard cup distance is 45mm; if 48mm, please change code Hxxx1xxx to Hxxx2xxx; 52mm change to Hxxx3xxS
 * Non soft-close change code HxxxxxxS to HxxxxxxN

V Hinge system

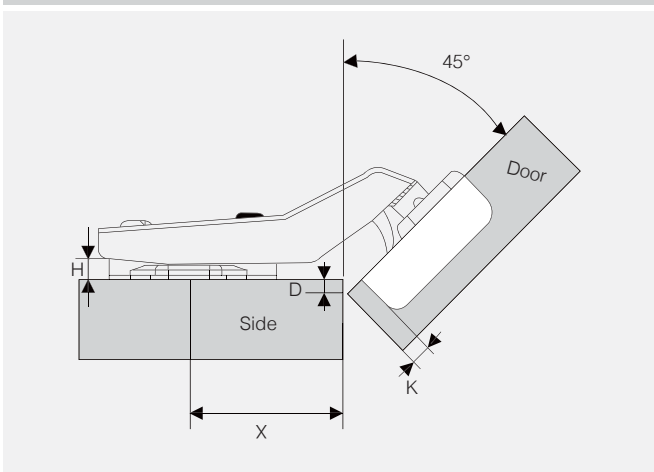
H45-45°; Clip-on; One way; Cam adjustment; Soft-close



- Installation: Clip-on
- Opening degree: 45°
- Cup diameter: 35mm
- Cup depth: 11.5mm
- Cup distance: 45/48/52mm
- Door thickness: 14-22mm



Overlay



		K-Cup distance			
		4 (X=37)	5 (X=36)	6 (X=35)	7 (X=34)
D-Door overlay	7.2				0
	6.3			0	
	5.2		0		2
	4.3	0		2	
	3.2		2		4
	2.3	2		4	
	1.6		4		
	0.5	4			
		H-Mounting plate height			

Cup assembly	Item No.
Screw on	H45A101S
Euro screw	H45A102S
φ8 press-in	H45A103S
φ10 press-in	H45A104S
φ8 expando	H45A105S
φ10 expando	H45A106S

* Standard cup distance is 45mm; if 48mm, please change code Hxxx1xxx to Hxxx2xxx; 52mm change to Hxxx3xxS

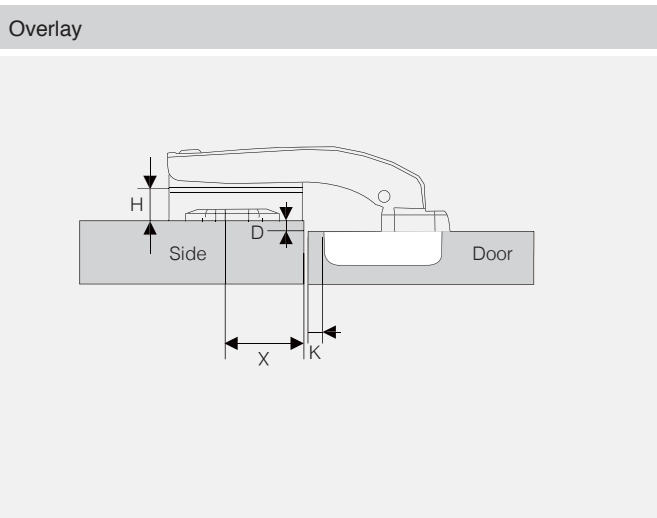
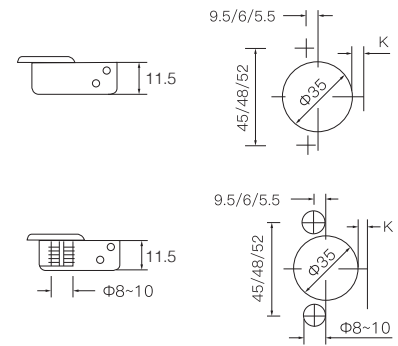
* Non soft-close change code HxxxxxxS to HxxxxxxN

V Hinge system

H90-90°; Clip-on; One way; Cam adjustment; Soft-close



- Installation: Clip-on
- Opening degree: 45°
- Cup diameter: 35mm
- Cup depth: 11.5mm
- Cup distance: 45/48/52mm
- Door thickness: 14-22mm



		K-Cup distance	
		4 (X=20)	5 (X=19)
D-Door overlay			
	2.8	0	0
	0.8	2	2
	-1.2	4	4
		H-Mounting plate height	

Cup assembly	Item No.
Screw on	H90A101S
Euro screw	H90A102S
φ8 press-in	H90A103S
φ10 press-in	H90A104S
φ8 expando	H90A105S
φ10 expando	H90A106S

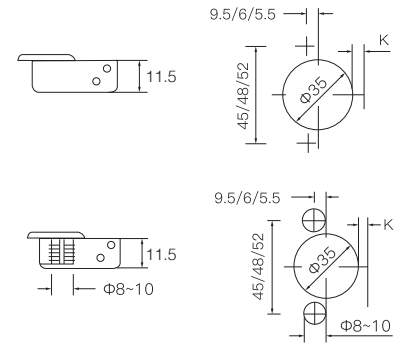
* Standard cup distance is 45mm; if 48mm, please change code Hxxx1xxx to Hxxx2xxx; 52mm change to Hxxx3xxS
 * Non soft-close change code HxxxxxxS to HxxxxxxN

V Hinge system

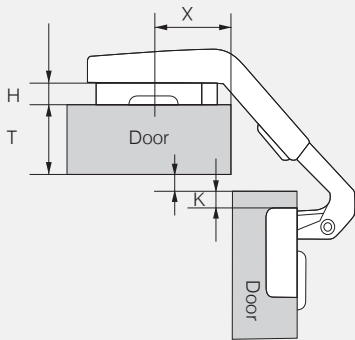
H17-135°; Clip-on; Two way



- Installation: Clip-on
- Opening degree: 135°
- Cup diameter: 35mm
- Cup depth: 11.5mm
- Cup distance: 45/48/52mm
- Door thickness: 14-22mm



Overlay



		K-Cup distance			
		4 (X=37)	5 (X=37)		
T-Door thickness					
	≤18	0	0		
	>18	2	2		
		H-Mounting plate height			

Cup assembly	Item No.
Screw on	H17C101N
Euro screw	H17C102N
φ8 press-in	H17C103N
φ10 press-in	H17C104N
φ8 expando	H17C105N
φ10 expando	H17C106N

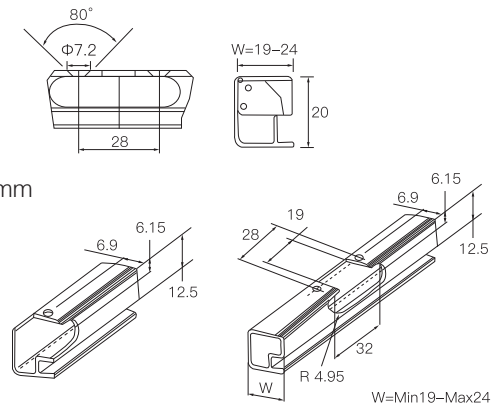
* Standard cup distance is 45mm; if 48mm, please change code Hxxx1xxx to Hxxx2xxx; 52mm change to Hxxx3xxS

V Hinge system

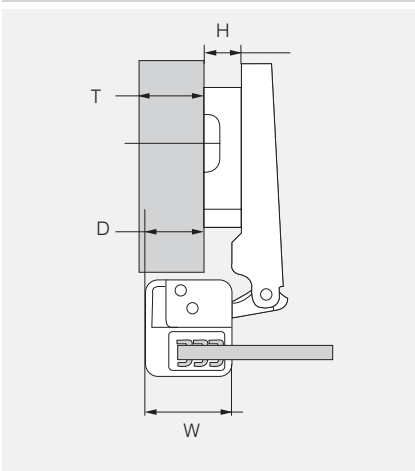
H92-105°; Aluminum frame door; Clip-on; Two way; Soft-close



- Installation: Clip-on
- Opening degree: 105°
- Cup distance: 28mm
- Aluminum frame width: 19-24mm

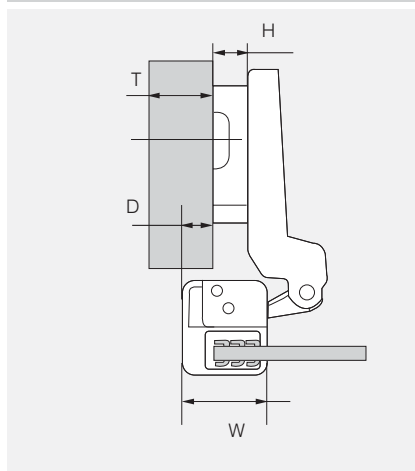


Overlay



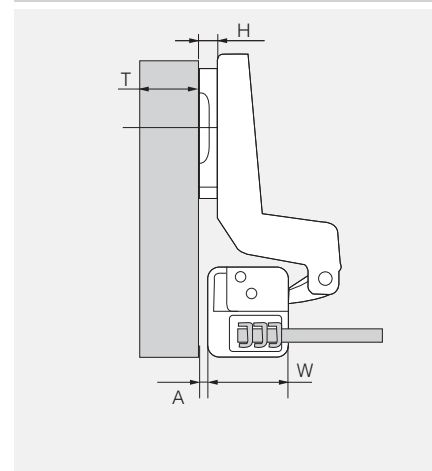
		W-Width of aluminum frame					
		19	20	21	22	23	24
D-Door overlay	22.0						0
	21.0					0	
	20.0				0		2
	19.0			0		2	
	18.0		0		2		4
	17.0	0		2		4	
	16.0		2		4		
	15.0	2		4			
	14.0		4				
13.0	4						
		H-Mounting plate height					

Half overlay



		W-Width of aluminum frame					
		19	20	21	22	23	24
D-Door overlay	12.0						0
	11.0					0	
	10.0				0		2
	9.0			0		2	
	8.0		0		2		4
	7.0	0		2		4	
	6.0		2		4		
	5.0	2		4			
	4.0		4				
3.0	4						
		H-Mounting plate height					

Inset



		K-Cup distance					
		19	20	21	22	23	24
A-Door reveal	5.0	4					
	4.0		4				
	3.0	2		4			
	2.0		2		4		
	1.0	0		2		4	
	0.0		0		2		4
	-1.0			0		2	
	-2.0				0		2
	-3.0					0	
	-4.0						0
			H-Mounting plate height				

Cup assembly	Item No.
Screw on	H92A101S
Euro screw	H92A102S
φ8 press-in	H92A103S
φ10 press-in	H92A104S
φ8 expando	H92A105S
φ10 expando	H92A106S

Cup assembly	Item No.
Screw on	H92B101S
Euro screw	H92B102S
φ8 press-in	H92B103S
φ10 press-in	H92B104S
φ8 expando	H92B105S
φ10 expando	H92B106S

Cup assembly	Item No.
Screw on	H92C101S
Euro screw	H92C102S
φ8 press-in	H92C103S
φ10 press-in	H92C104S
φ8 expando	H92C105S
φ10 expando	H92C106S

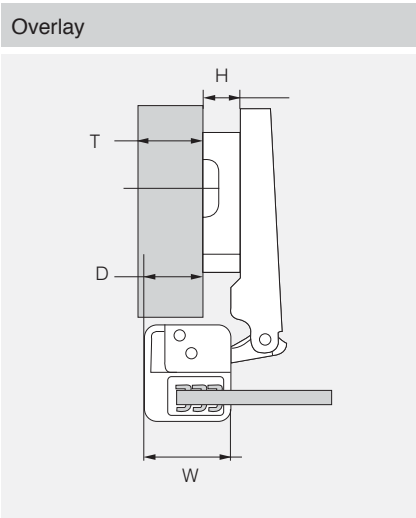
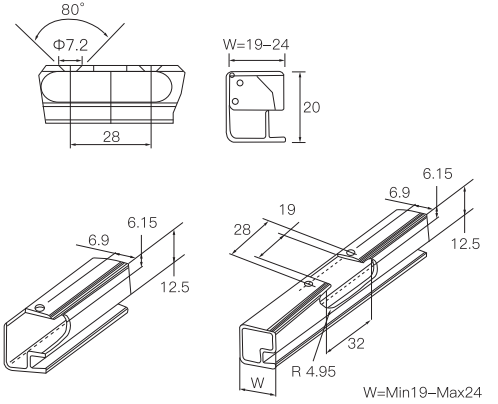
* Non soft-close change code HxxxxxS to HxxxxxN

V Hinge system

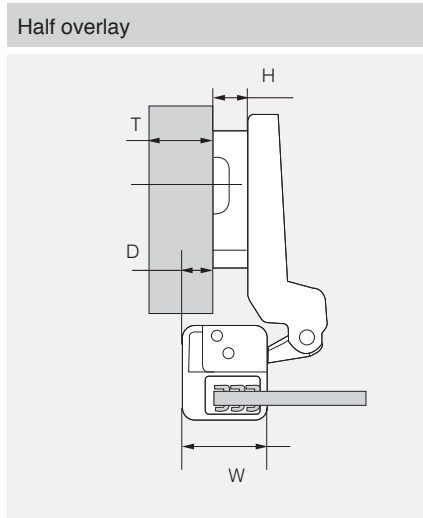
H52-105°; Aluminum frame door; Clip-on; One way; Cam adjustment; Soft-close



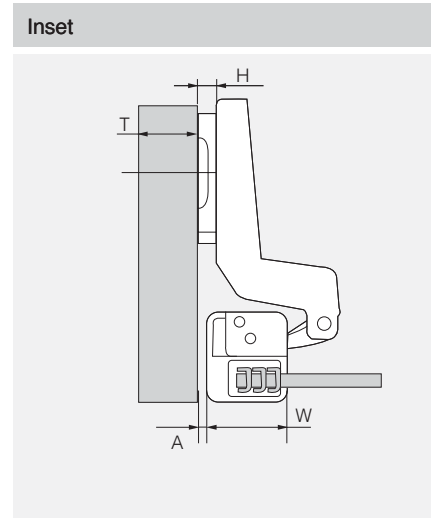
- Installation: Clip-on
- Opening degree: 105°
- Cup distance: 28mm
- Aluminum frame width: 19-24mm



		W-Width of aluminum frame					
		19	20	21	22	23	24
D-Door overlay	22.0						0
	21.0					0	
	20.0				0		2
	19.0			0		2	
	18.0		0		2		4
	17.0	0		2		4	
	16.0		2		4		
	15.0	2		4			
	14.0		4				
	13.0	4					
		H-Mounting plate height					



		W-Width of aluminum frame					
		19	20	21	22	23	24
D-Door overlay	12.0						0
	11.0					0	
	10.0				0		2
	9.0			0		2	
	8.0		0		2		4
	7.0	0		2		4	
	6.0		2		4		
	5.0	2		4			
	4.0		4				
	3.0	4					
		H-Mounting plate height					



		K-Cup distance					
		19	20	21	22	23	24
A-Door reveal	5.0	4					
	4.0		4				
	3.0	2		4			
	2.0		2		4		
	1.0	0		2		4	
	0.0		0		2		4
	-1.0			0		2	
	-2.0				0		2
	-3.0					0	
	-4.0						0
		H-Mounting plate height					

Cup assembly	Item No.
Screw on	H52A101S
Euro screw	H52A102S
φ8 press-in	H52A103S
φ10 press-in	H52A104S
φ8 expando	H52A105S
φ10 expando	H52A106S

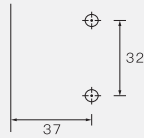
Cup assembly	Item No.
Screw on	H52B101S
Euro screw	H52B102S
φ8 press-in	H52B103S
φ10 press-in	H52B104S
φ8 expando	H52B105S
φ10 expando	H52B106S

Cup assembly	Item No.
Screw on	H52C101S
Euro screw	H52C102S
φ8 press-in	H52C103S
φ10 press-in	H52C104S
φ8 expando	H52C105S
φ10 expando	H52C106S

* Non soft-close change code HxxxxxS to HxxxxxN

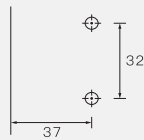
V Hinge system
Hinge plate for Clip-on

Adjustable plate - P11 * V17; V27; V18; V96 hinge



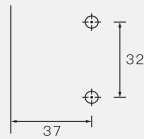
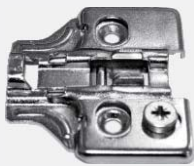
Assembly	H=0	H=2	H=4
	Item No.	Item No.	Item No.
Screw on	P11001	P11201	P11401
Euro screw	P11002	P11202	P11402
φ5 expando	P11003	P11203	P11403

Two hole plate - P21 * V17; V27; V18; V96 hinge



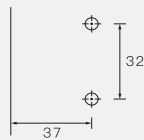
Assembly	H=0	H=2	H=4
	Item No.	Item No.	Item No.
Screw on	P21001	P21201	P21401
Euro screw	P21002	P21202	P21402
φ5 expando	P21003	P21203	P21403

Adjustable plate - P12



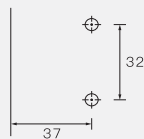
Assembly	H=0	H=2	H=4
	Item No.	Item No.	Item No.
Screw on	P12001	P12201	P12401
Euro screw	P12002	P12202	P12402
φ5 expando	P12003	P12203	P12403

Two hole plate - P22



Assembly	H=0	H=2	H=4
	Item No.	Item No.	Item No.
Screw on	P22001	P22201	P22401
Euro screw	P22002	P22202	P22402
φ5 expando	P22003	P22203	P22403

Four hole plate - P42

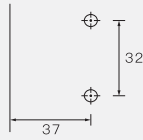


Assembly	H=0	H=2	H=4
	Item No.	Item No.	Item No.
Screw on	P42001	P42201	P42401

V Hinge system

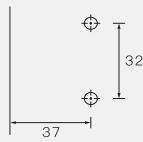
Hinge plate for Clip-on

Adjustable plate - P14 *Only for H17-135° hinge



Assembly	H=0	H=2	H=4
	Item No.	Item No.	Item No.
Screw on	P14001	P14201	P14401
Euro screw	P14002	P14202	P14402
φ5 expando	P14003	P14203	P14403

Two hole plate - P24 *Only for H17-135° hinge



Assembly	H=0	H=2	H=4
	Item No.	Item No.	Item No.
Screw on	P24001	P24201	P24401
Euro screw	P24002	P24202	P24402
φ5 expando	P24003	P24203	P24403

Hinge arm cover



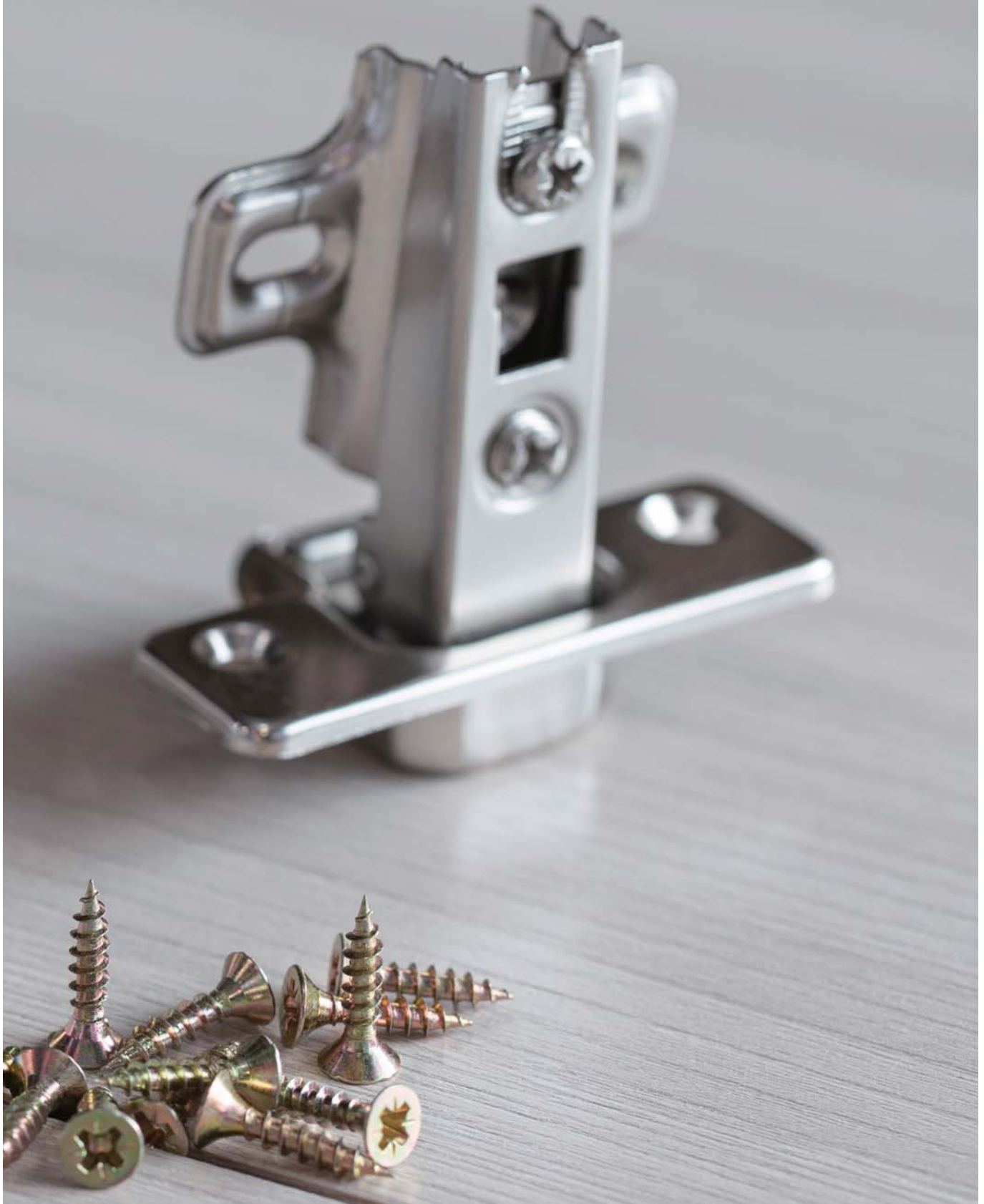
Hinge arm cover	Item No.
With Cemux logo	HAC01
Without Cemux logo	HAC02

Hinge cup cover



Hinge cup cover	Item No.
	HCC01

Slide-on

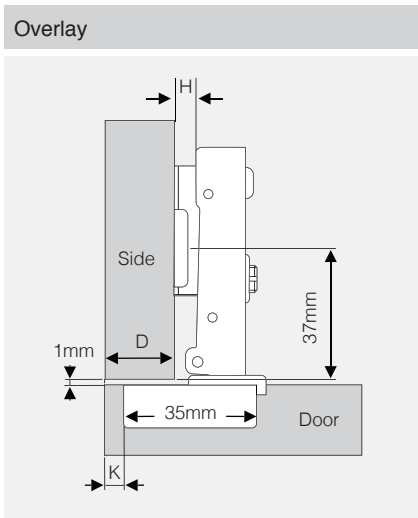
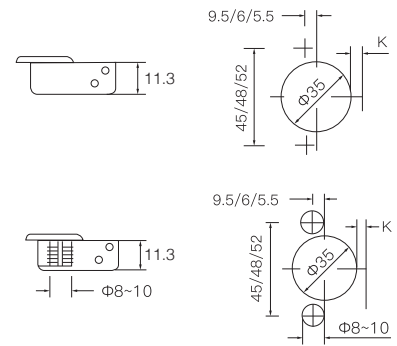


V Hinge system

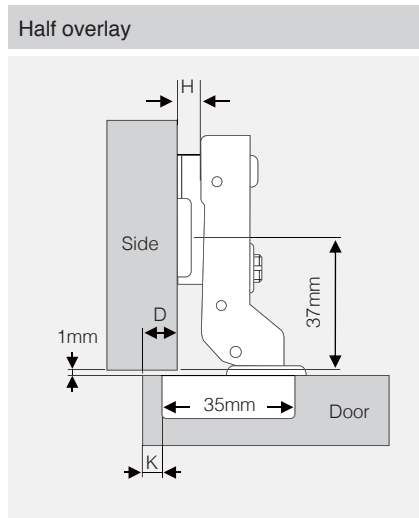
H55-105°; Slide-on; One way; Soft-close



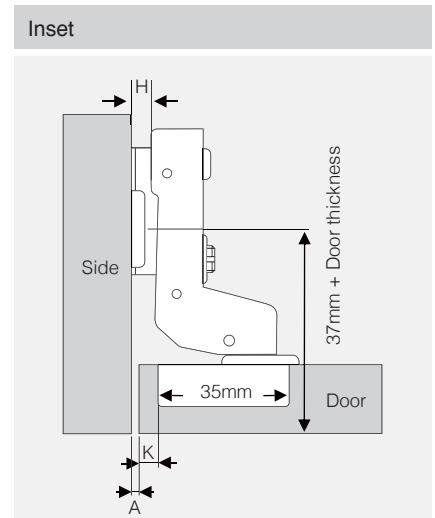
- Installation: Slide-on
- Opening degree: 105°
- Cup diameter: 35mm
- Cup depth: 11.3mm
- Cup distance: 45/48/52mm
- Door thickness: 14-22mm



		K-Cup distance				
		3	4	5	6	7
D-Door overlay	20.0					0
	19.0				0	
	18.0			0		2
	17.0		0		2	
	16.0	0		2		4
	15.0		2		4	
	14.0	2		4		
	13.0		4			
12.0	4					
		H-Mounting plate height				



		K-Cup distance				
		3	4	5	6	7
D-Door overlay	12.0					0
	11.0				0	
	10.0			0		2
	9.0		0		2	
	8.0	0		2		4
	7.0		2		4	
	6.0	2		4		
	5.0		4			
4.0	4					
		H-Mounting plate height				



		K-Cup distance				
		3	4	5	6	7
A-Door reveal	5.0	4				
	4.0		4			
	3.0	2		4		
	2.0		2		4	
	1.0	0		2		4
	0.0		0		2	
	-1.0			0		
	-2.0				0	2
-3.0					0	
		H-Mounting plate height				

Cup assembly	Item No.
Screw on	H55A101S
Euro screw	H55A102S
φ8 press-in	H55A103S
φ10 press-in	H55A104S
φ8 expando	H55A105S
φ10 expando	H55A106S

Cup assembly	Item No.
Screw on	H55B101S
Euro screw	H55B102S
φ8 press-in	H55B103S
φ10 press-in	H55B104S
φ8 expando	H55B105S
φ10 expando	H55B106S

Cup assembly	Item No.
Screw on	H55C101S
Euro screw	H55C102S
φ8 press-in	H55C103S
φ10 press-in	H55C104S
φ8 expando	H55C105S
φ10 expando	H55C106S

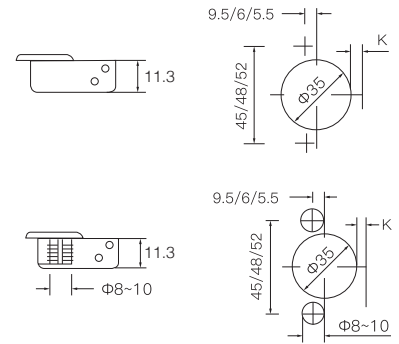
* Standard cup distance is 45mm; if 48mm, please change code Hxxx1xxx to Hxxx2xxx; 52mm change to Hxxx3xxxS

V Hinge system

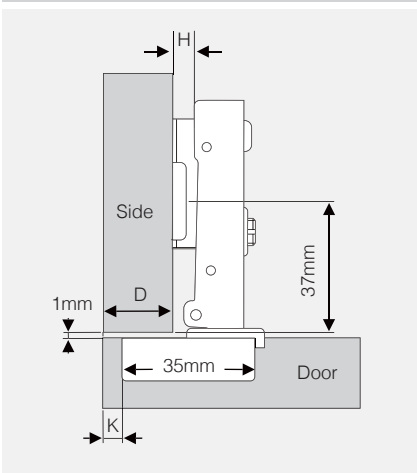
H11-105°; Slide-on; Two way



- Installation: Slide-on
- Opening degree: 105°
- Cup diameter: 35mm
- Cup depth: 11.3mm
- Cup distance: 45/48/52mm
- Door thickness: 14-22mm

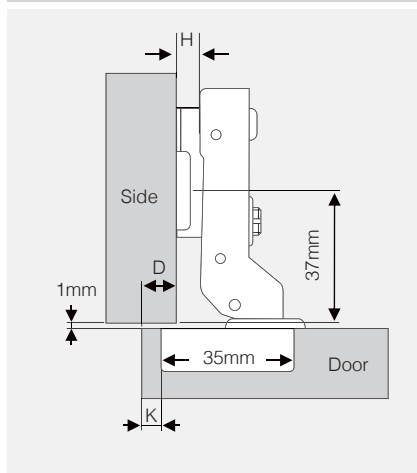


Overlay



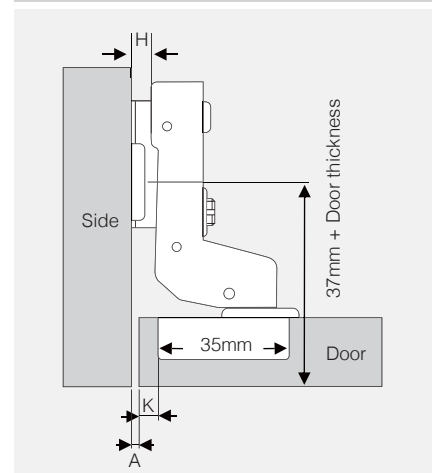
		K-Cup distance				
		3	4	5	6	7
D-Door overlay	22.0					0
	21.0				0	
	20.0			0		2
	19.0		0		2	
	18.0	0		2		4
	17.0		2		4	
	16.0	2		4		
	15.0		4			
14.0	4					
		H-Mounting plate height				

Half overlay



		K-Cup distance				
		3	4	5	6	7
D-Door overlay	13.0					0
	12.0				0	
	11.0			0		2
	10.0		0		2	
	9.0	0		2		4
	8.0		2		4	
	7.0	2		4		
	6.0		4			
5.0	4					
		H-Mounting plate height				

Inset



		K-Cup distance				
		3	4	5	6	7
A-Door reveal	2.0	4				
	1.0		4			
	0.0	2		4		
	-1.0		2		4	
	-2.0	0		2		4
	-3.0		0		2	
	-4.0			0		
	-5.0				0	2
-6.0					0	
		H-Mounting plate height				

Cup assembly	Item No.
Screw on	H11A101N
Euro screw	H11A102N
φ8 press-in	H11A103N
φ10 press-in	H11A104N
φ8 expando	H11A105N
φ10 expando	H11A106N

Cup assembly	Item No.
Screw on	H11B101N
Euro screw	H11B102N
φ8 press-in	H11B103N
φ10 press-in	H11B104N
φ8 expando	H11B105N
φ10 expando	H11B106N

Cup assembly	Item No.
Screw on	H11C101N
Euro screw	H11C102N
φ8 press-in	H11C103N
φ10 press-in	H11C104N
φ8 expando	H11C105N
φ10 expando	H11C106N

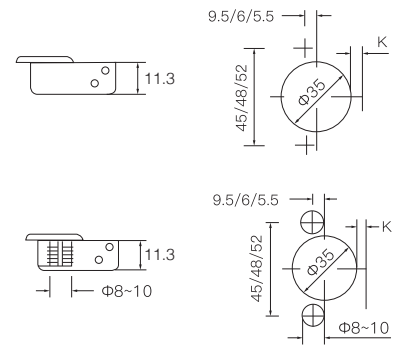
* Standard cup distance is 45mm; if 48mm, please change code Hxxx1xxx to Hxxx2xxx; 52mm change to Hxxx3xxS

V Hinge system

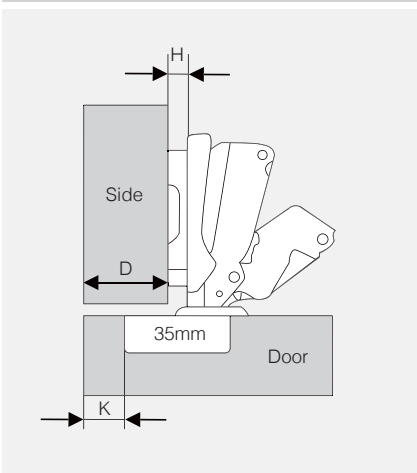
H18-165°; Slide-on; One way



- Installation: Clip-on
- Opening degree: 165°
- Cup diameter: 35mm
- Cup depth: 11.3mm
- Cup distance: 45/48/52mm
- Door thickness: 14-26mm

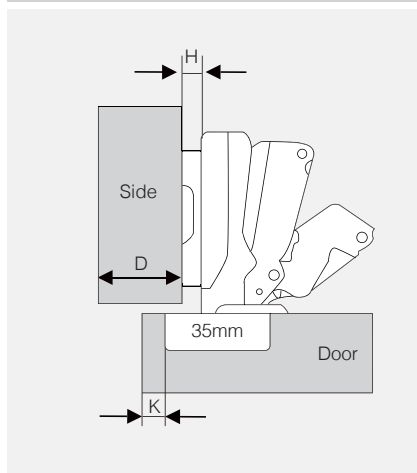


Overlay



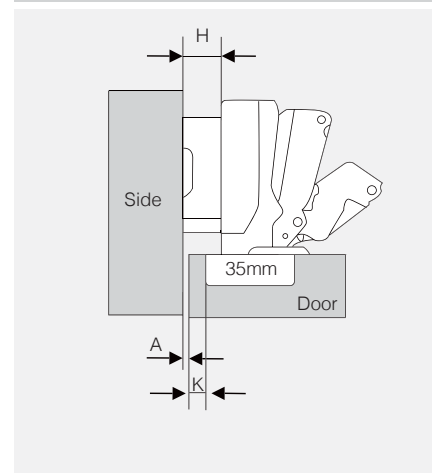
		K-Cup distance				
		3	4	5	6	7
D-Door overlay	20.0					0
	19.0				0	
	18.0			0		2
	17.0		0		2	
	16.0	0		2		4
	15.0		2		4	
	14.0	2		4		
	13.0		4			
12.0	4					
		H-Mounting plate height				

Half overlay



		K-Cup distance				
		3	4	5	6	7
D-Door overlay	11.0					0
	10.0				0	
	9.0			0		2
	8.0		0		2	
	7.0	0		2		4
	6.0		2		4	
	5.0	2		4		
	4.0		4			
3.0	4					
		H-Mounting plate height				

Inset



		K-Cup distance				
		3	4	5	6	7
A-Door reveal	4.0	4				
	3.0		4			
	2.0	2		4		
	1.0		2		4	
	0.0	0		2		4
	-1.0		0		2	
	-2.0			0		
	-3.0				0	2
-4.0					0	
		H-Mounting plate height				

Cup assembly	Item No.
Screw on	H18A101N
Euro screw	H18A102N
φ8 press-in	H18A103N
φ10 press-in	H18A104N
φ8 expando	H18A105N
φ10 expando	H18A106N

Cup assembly	Item No.
Screw on	H18B101N
Euro screw	H18B102N
φ8 press-in	H18B103N
φ10 press-in	H18B104N
φ8 expando	H18B105N
φ10 expando	H18B106N

Cup assembly	Item No.
Screw on	H18C101N
Euro screw	H18C102N
φ8 press-in	H18C103N
φ10 press-in	H18C104N
φ8 expando	H18C105N
φ10 expando	H18C106N

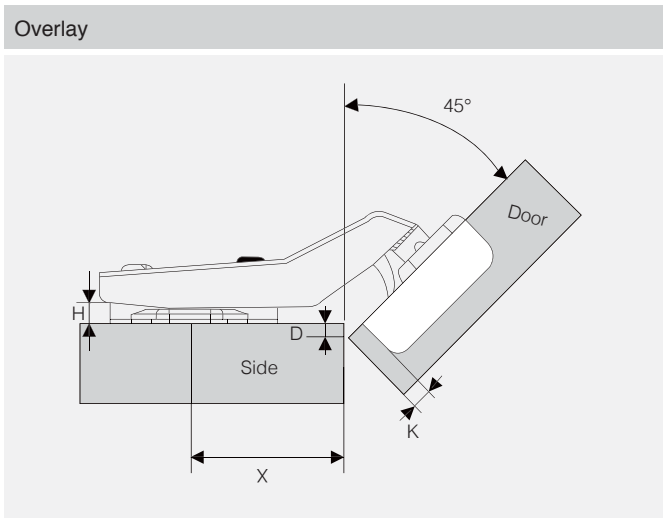
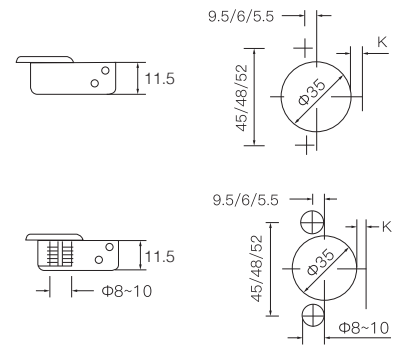
* Standard cup distance is 45mm; if 48mm, please change code Hxxx1xxx to Hxxx2xxx; 52mm change to Hxxx3xxS

V Hinge system

H15-45°; Slide-on; Two way



- Installation: Clip-on
- Opening degree: 45°
- Cup diameter: 35mm
- Cup depth: 11.5mm
- Cup distance: 45/48/52mm
- Door thickness: 14-22mm



		K-Cup distance			
		4 (X=37)	5 (X=36)	6 (X=35)	7 (X=34)
D-Door overlay	7.2				0
	6.3			0	
	5.2		0		2
	4.3	0		2	
	3.2		2		4
	2.3	2		4	
	1.6		4		
	0.5	4			
		H-Mounting plate height			

Cup assembly	Item No.
Screw on	H15A101N
Euro screw	H15A102N
φ8 press-in	H15A103N
φ10 press-in	H15A104N
φ8 expando	H15A105N
φ10 expando	H15A106N

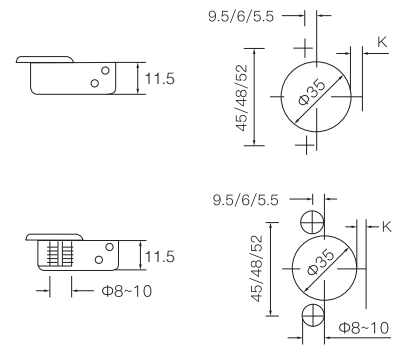
* Standard cup distance is 45mm; if 48mm, please change code Hxxx1xxx to Hxxx2xxx; 52mm change to Hxxx3xxS

V Hinge system

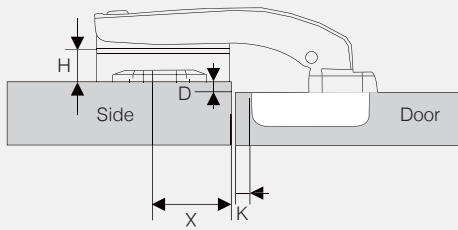
H25-90°; Slide-on; Two way



- Installation: Clip-on
- Opening degree: 45°
- Cup diameter: 35mm
- Cup depth: 11.5mm
- Cup distance: 45/48/52mm
- Door thickness: 14-22mm



Overlay



		K-Cup distance			
		4 (X=20)	5 (X=19)		
D-Door overlay					
	2.8	0	0		
	0.8	2	2		
	-1.2	4	4		
		H-Mounting plate height			

Cup assembly	Item No.
Screw on	H25A101N
Euro screw	H25A102N
φ8 press-in	H25A103N
φ10 press-in	H25A104N
φ8 expando	H25A105N
φ10 expando	H25A106N

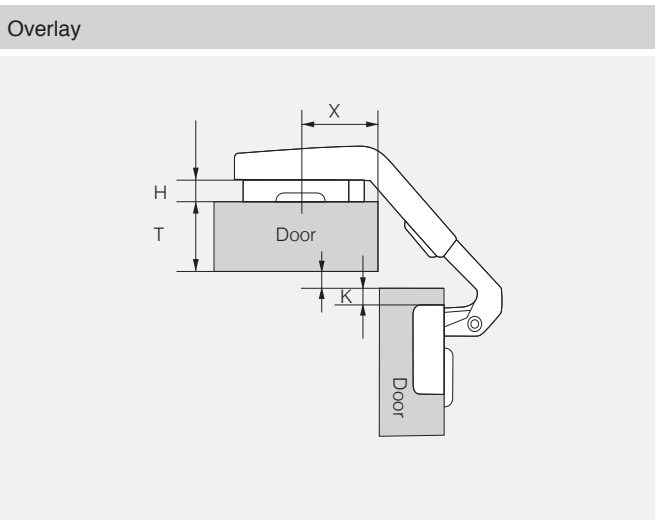
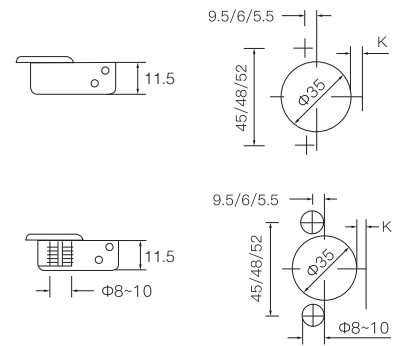
* Standard cup distance is 45mm; if 48mm, please change code Hxxx1xxx to Hxxx2xxx; 52mm change to Hxxx3xxS

V Hinge system

H35-135°; Slide-on; Two way



- Installation: Clip-on
- Opening degree: 135°
- Cup diameter: 35mm
- Cup depth: 11.5mm
- Cup distance: 45/48/52mm
- Door thickness: 14-22mm



		K-Cup distance			
		4 (X=37)	5 (X=37)		
T-Door thickness					
	≤18	0	0		
	>18	2	2		
		H-Mounting plate height			

Cup assembly	Item No.
Screw on	H35A101N
Euro screw	H35A102N
φ8 press-in	H35A103N
φ10 press-in	H35A104N
φ8 expando	H35A105N
φ10 expando	H35A106N

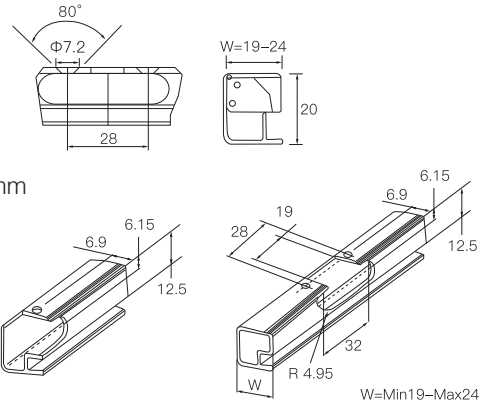
* Standard cup distance is 45mm; if 48mm, please change code Hxxx1xxx to Hxxx2xxx; 52mm change to Hxxx3xxS

V Hinge system

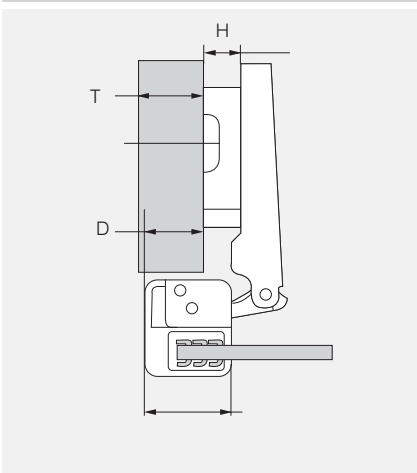
H20-110°; Aluminum frame door; Slide-on; One way



- Installation: Clip-on
- Opening degree: 105°
- Cup distance: 28mm
- Aluminum frame width: 19-24mm

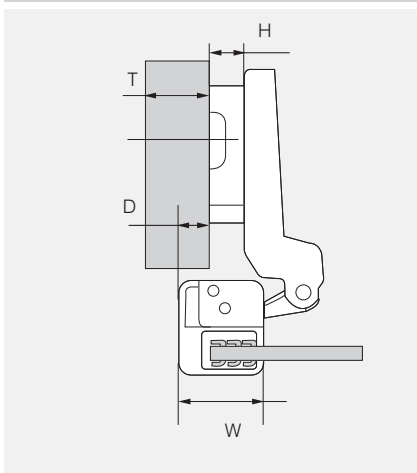


Overlay



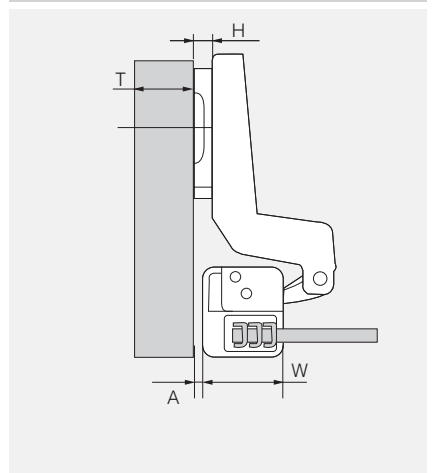
		W-Width of aluminum frame					
		19	20	21	22	23	24
D-Door overlay	22.0						0
	21.0					0	
	20.0				0		2
	19.0			0		2	
	18.0		0		2		4
	17.0	0		2		4	
	16.0		2		4		
	15.0	2		4			
	14.0		4				
13.0	4						
		H-Mounting plate height					

Half overlay



		W-Width of aluminum frame					
		19	20	21	22	23	24
D-Door overlay	13.0						0
	12.0					0	
	11.0				0		2
	10.0			0		2	
	9.0		0		2		4
	8.0	0		2		4	
	7.0		2		4		
	6.0	2		4			
	5.0		4				
4.0	4						
		H-Mounting plate height					

Inset



		K-Cup distance					
		19	20	21	22	23	24
A-Door reveal	3.0	4					
	2.0		4				
	1.0	2		4			
	0.0		2		4		
	-1.0	0		2		4	
	-2.0		0		2		4
	-3.0			0		2	
	-4.0				0		2
	-5.0					0	
-6.0						0	
		H-Mounting plate height					

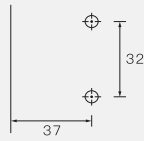
Cup assembly	Item No.
Screw on	H20A101N
Euro screw	H20A102N
$\phi 8$ press-in	H20A103N
$\phi 10$ press-in	H20A104N
$\phi 8$ expando	H20A105N
$\phi 10$ expando	H20A106N

Cup assembly	Item No.
Screw on	H20B101N
Euro screw	H20B102N
$\phi 8$ press-in	H20B103N
$\phi 10$ press-in	H20B104N
$\phi 8$ expando	H20B105N
$\phi 10$ expando	H20B106N

Cup assembly	Item No.
Screw on	H20C101N
Euro screw	H20C102N
$\phi 8$ press-in	H20C103N
$\phi 10$ press-in	H20C104N
$\phi 8$ expando	H20C105N
$\phi 10$ expando	H20C106N

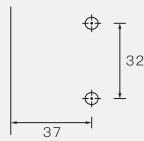
V Hinge system
Hinge plate for Slide-on

Two hole plate - P27



Assembly	H=0	H=2	H=4
	Item No.	Item No.	Item No.
Screw on	P27001	P27201	P27401
Euro screw	P27002	P27202	P27402
φ5 press-in	P27003	P27203	P27403

Four hole plate - P47



Assembly	H=0	H=2	H=4
	Item No.	Item No.	Item No.
Screw on	P47001	P47201	P47401

Hinge arm cover



Hinge arm cover	Item No.
With Cemux logo	HAC01
Without Cemux logo	HAC02

Hinge cup cover



Hinge cup cover	Item No.
	HCC01

**BINS SYSTEM FOR
KITCHEN & LAUNDRY
- L BINS**

CEMUX



CEMUX

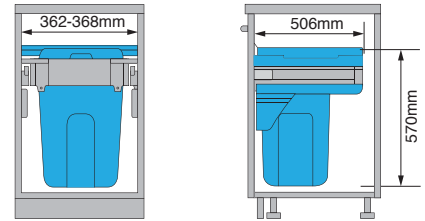


LD Bin system

Waste bin system for drawer system; Cabinet 400mm width; 35L capacity



- For cabinet 400mm width drawer
- For cabinet 510mm internal depth drawer
- 1 plastic waste bins - 35Lx1
- Grey colour
- 570mm height
- 362-368mm width
- 506mm depth



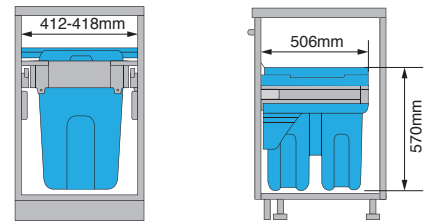
KB	Product dimensions	Item No.
400	362-368*506*570mm	MWBD40035G

LD Bin system

Waste bin system for drawer system; Cabinet 450mm width; 54L capacity



- For cabinet 450mm width drawer
- For cabinet 510mm internal depth drawer
- 2 plastic waste bins - 27Lx2
- Grey colour
- 570mm height
- 412-418mm width
- 506mm depth



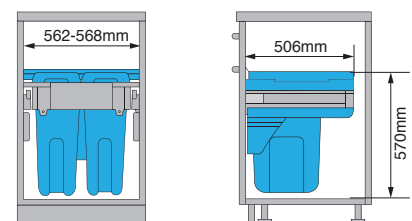
KB	Product dimensions	Item No.
450	412-418*506*570mm	MWBD45054G

LD Bin system

Waste bin system for drawer system; Cabinet 600mm width; 70L capacity



- For cabinet 600mm width drawer
- For cabinet 510mm internal depth drawer
- 2 plastic waste bins - 35Lx2
- Grey colour
- 570mm height
- 562-568mm width
- 506mm depth



KB	Product dimensions	Item No.
600	562-568*506*570mm	MWBD60070G

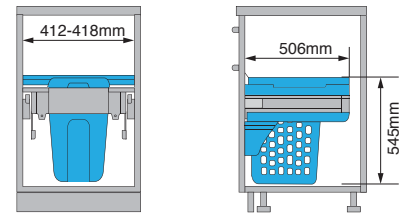
* All LD Waste bin system need to choose the A BOX or H BOX drawer system as slide, please go to section 1.1; section 1.2

LL Bin system

Laundry bin system for drawer system; Cabinet 450mm width; 48L capacity



- For cabinet 450mm width drawer
- For cabinet 500mm depth drawer
- 1 plastic waste bins - 48L
- White colour
- 545mm height
- 412-418mm width
- 506mm depth



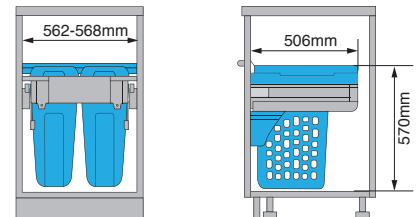
KB	Product dimensions	Item No.
450	412-418*506*570mm	MLBD45048W

LL Bin system

Laundry bin system for drawer system; Cabinet 600mm width; 70L capacity



- For cabinet 600mm width drawer
- For cabinet 500mm depth drawer
- 2 plastic waste bins - 35Lx2
- White & blue colour
- 570mm height
- 562-568mm width
- 506mm depth



KB	Product dimensions	Item No.
600	562-568*506*570mm	MLBD60070W

* All LL Laundry bin system need to choose the A BOX or H BOX drawer system as slide, please go to section 1.1; section 1.2

FLEXIBLE STORAGE SOLUTIONS FROM CEMUX - S BASKET

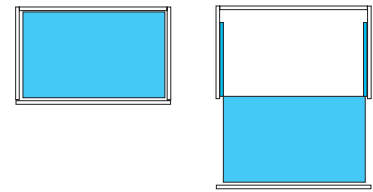


Base unit

Pull-out basket



- Cabinet width: 600mm; 700mm; 750mm; 800mm; 900mm
- Installed depth: ≥550 mm
- Package: 1 set
- Including:
 - 1 pc basket
 - 1 set slides
 - 1 set slide connectors
 - 1 set door connectors
 - 1 set cover caps



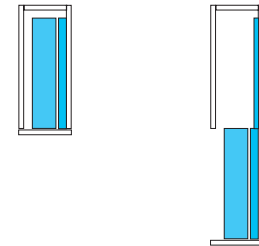
KB	Product dimensions	Item No.
600	529*451.5*128mm	SBP01600G
700	629*451.5*128mm	SBP01700G
750	679*451.5*128mm	SBP01750G
800	729*451.5*128mm	SBP01800G
900	829*451.5*128mm	SBP01900G

Base unit

Side slim pull-out basket



- Cabinet width: 150mm; 200mm
- Installed height: ≥650 mm
- Installed depth: ≥500 mm
- Package: 1 set
- Including:
 - 1 set basket with frame
 - 1 set slides



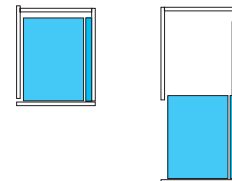
KB	Description	Item No.
150	Left hand side	SBP03150GL
200	Left hand side	SBP03200GL
150	Right hand side	SBP03150GR
200	Right hand side	SBP03200GR

Base unit

Side pull-out basket



- Cabinet width: 200mm; 300mm
- Installed height: ≥650 mm
- Installed depth: ≥550 mm
- Package: 1 set
- Including:
 - 1 set frame with door connector
 - 2 pcs storage basket
 - 1 set slides



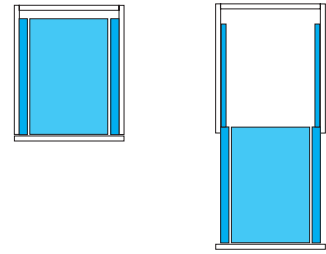
KB	Description	Item No.
200	Left hand side	SBP02200GL
300	Left hand side	SBP02300GL
200	Right hand side	SBP02200GR
300	Right hand side	SBP02300GR

Base unit

Two tier storage basket



- Cabinet width: 300mm; 400mm
- Installed height: ≥650 mm
- Installed depth: ≥500 mm
- Package: 1 set
- Including:
 - 1 set basket with frame
 - 1 set slides



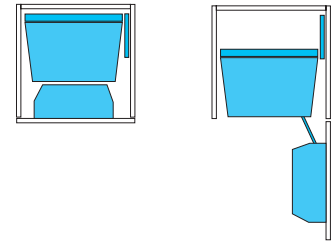
KB	Description	Item No.
300	Bottom mounted	SBP03300G
400	Bottom mounted	SBP03400G

Base unit

Two tier storage basket



- Cabinet width: 450mm; 600mm
- Installed height: ≥650 mm
- Installed depth: ≥550 mm
- Package: 1 set
- Including:
 - 1 set slides
 - 1 set cover clip
 - 2 pcs "L" plate
 - 1 pc connect bar
 - 1 set door frame
 - 1 pc main frame
 - 2 pcs rear basket
 - 2 pcs door basket



KB	Description	Item No.
450	Left hand side	SBW01450GL
600	Left hand side	SBW01600GL
450	Right hand side	SBW01450GR
600	Right hand side	SBW01600GR

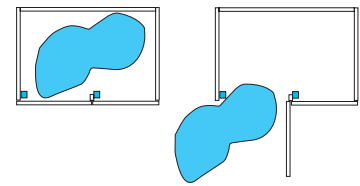


Corner unit

Corner swing-out basket



- Cabinet width: 900mm
- Installed height: ≥650 mm
- Installed depth: ≥500 mm
- Package: 1 set
- Including:
 - 2 pcs storage basket
 - 1 set side holder
 - 1 set middle holder
 - 1 pc middle holder fittings
 - 2 sets side holder arm
 - 2 sets middle holder arm



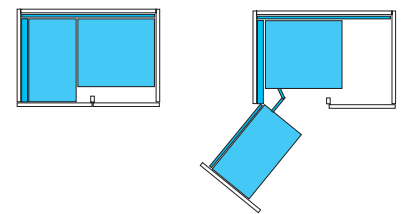
KB	Description	Item No.
900	Left hand side	SCS02900GL
900	Right hand side	SCS02900GR

Corner unit

Magic swing-out corner (Both left & right)



- Cabinet width: 900mm
- Installed height: ≥650 mm
- Installed depth: ≥550 mm
- Package: 1 set
- Including:
 - 1 set rear frame kit
 - 1 set side frame kit
 - 1 set linkage
 - 2 sets door connector
 - 1 set door reinforcement connectors
 - 2 pcs rear baskets
 - 2 pcs front baskets



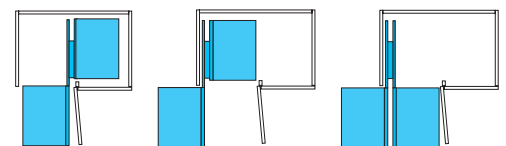
KB	Description	Item No.
900	Unhanded	SCS01900G

Corner unit

Magic pull-out corner (Both left & right)



- Cabinet width: 900mm
- Installed height: ≥650 mm
- Installed depth: ≥550 mm
- Package: 1 set
- Including:
 - 1 set frame
 - 1 set bottom frame
 - 2 set holders
 - 2 pcs rear baskets
 - 2 pcs front baskets
 - 1 pc limit



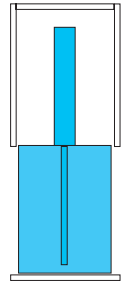
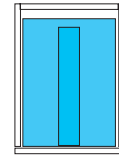
KB	Description	Item No.
900	Unhanded	SCP01900G

Larder unit

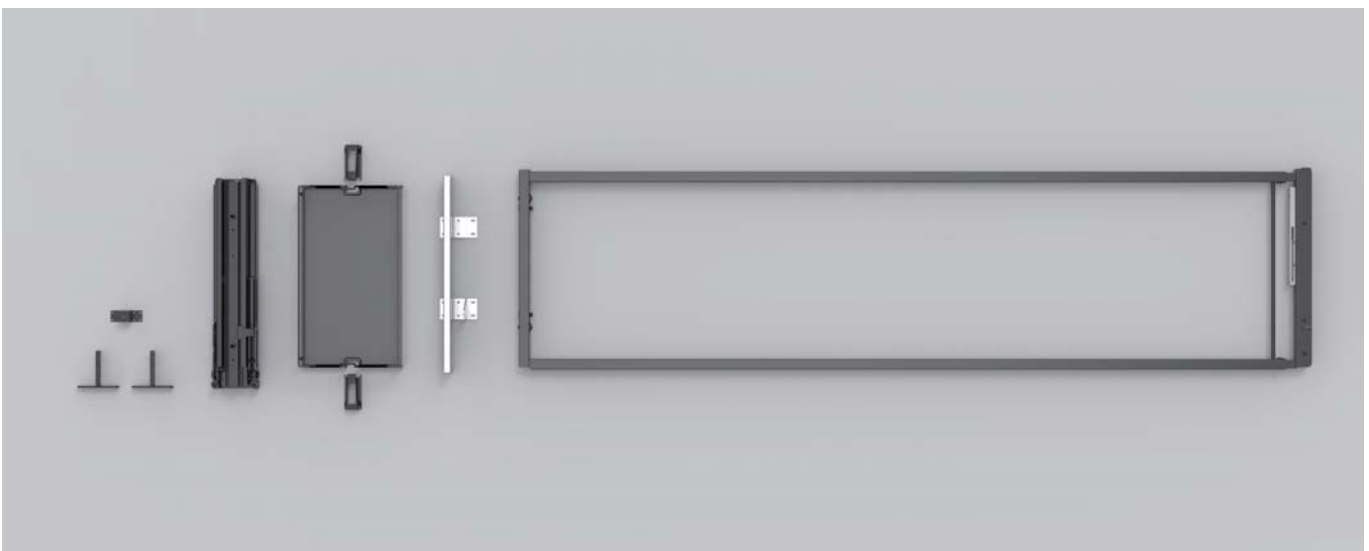
Tall pull-out basket



- Cabinet width: 150mm; 200mm; 300mm; 400mm
- Package: 1 set
- Including:
 - 4/5/6 pcs baskets
 - 4/5/6 basket connector
 - 1 pc reinforcement bracket
 - 2 pcs door connector
 - 1 pc frame
 - 1 pc top rail
 - 1 pc bottom rail
 - 1 set slides



KB	Product dimensions	Description	Item No.
150	100*490*1270-1570mm	4 layer basket; soft-close	STP014150G
150	100*490*1570-1870mm	5 layer basket; soft-close	STP015150G
150	100*490*1770-2070mm	5 layer basket; soft-close	STP025150G
150	100*490*1970-2270mm	6 layer basket; soft-close	STP016150G
200	150*490*1270-1570mm	4 layer basket; soft-close	STP014200G
200	150*490*1570-1870mm	5 layer basket; soft-close	STP015200G
200	150*490*1770-2070mm	5 layer basket; soft-close	STP025200G
200	150*490*1970-2270mm	6 layer basket; soft-close	STP016200G
300	250*490*1270-1570mm	4 layer basket; soft-close	STP014300G
300	250*490*1570-1870mm	5 layer basket; soft-close	STP015300G
300	250*490*1770-2070mm	5 layer basket; soft-close	STP025300G
300	250*490*1970-2270mm	6 layer basket; soft-close	STP016300G
400	350*490*1270-1570mm	4 layer basket; soft-close	STP014400G
400	350*490*1570-1870mm	5 layer basket; soft-close	STP015400G
400	350*490*1770-2070mm	5 layer basket; soft-close	STP025400G
400	350*490*1970-2270mm	6 layer basket; soft-close	STP016400G

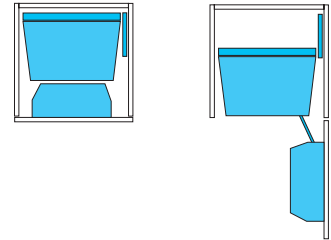


Larder unit

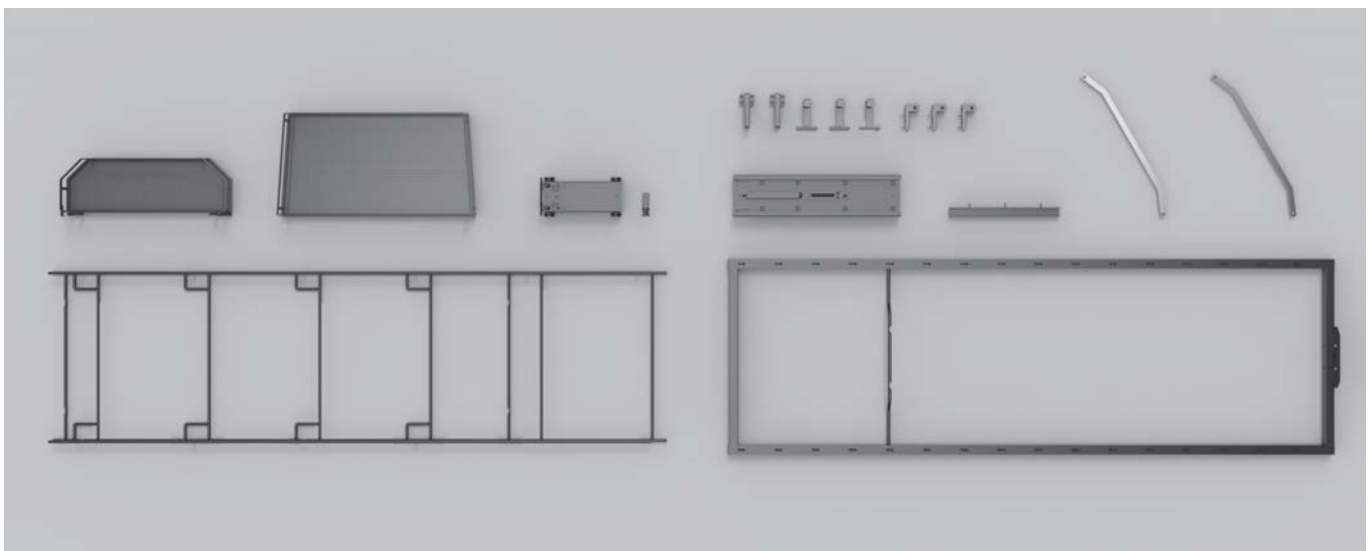
Tall swing-out basket



- Cabinet width: 450mm; 600mm
- Package: 1 set
- Including:
 - 1 set slides
 - 3 sets cover clip
 - 1 set "L" plate
 - 2 pcs connect bar
 - 1 set door frame
 - 1 pc main frame
 - 3/4/5/6 pcs rear basket
 - 3/4/5/6 pcs door basket



KB	Product dimensions	Description	Item No.
450	410*500*1070mm	3 layer basket; soft-close	STS013450G
450	410*500*1320mm	4 layer basket; soft-close	STS014450G
450	410*500*1570mm	5 layer basket; soft-close	STS015450G
450	410*500*1820mm	6 layer basket; soft-close	STS016450G
600	560*500*1070mm	3 layer basket; soft-close	STS013600G
600	560*500*1320mm	4 layer basket; soft-close	STS014600G
600	560*500*1570mm	5 layer basket; soft-close	STS015600G
600	560*500*1820mm	6 layer basket; soft-close	STS016600G



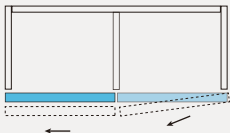
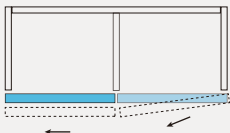
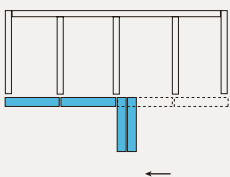
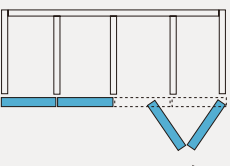
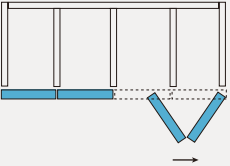
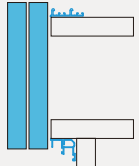
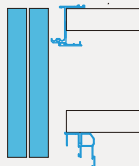
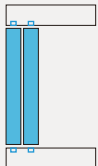

**WIDE RANGE
SLIDING SYSTEM
- SW SLIDING DOOR**





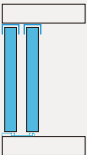
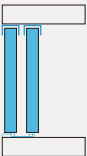
Content

SW sliding system

	Description	Item No.
	<p>Flush sliding system</p> <ul style="list-style-type: none"> > 60 KG/door loading capacity > Soft-close > Max. 45mm 	SWL001
	<p>Flush sliding system</p> <ul style="list-style-type: none"> > 20 KG/door loading capacity > Soft-close > Max. 22mm > For base cabinet / hanging cabinet 	SWL002
	<p>Folding sliding system</p> <ul style="list-style-type: none"> > 20 KG/door loading capacity > Soft-close > Min. 16mm 	SWF002
	<p>Folding sliding system</p> <ul style="list-style-type: none"> > 15 KG/door loading capacity > Soft-close > Min. 16mm 	SWF003-1
	<p>Folding sliding system</p> <ul style="list-style-type: none"> > 25 KG/door loading capacity > Soft-close > Min. 16mm 	SWF003-2
	<p>Top hanging sliding system</p> <ul style="list-style-type: none"> > 80 KG/door loading capacity > Soft-close > Max. 46mm 	SWT003
	<p>Top hanging sliding system</p> <ul style="list-style-type: none"> > 50 KG/door loading capacity > Soft-close > Max. 25mm 	SWT004
	<p>Bottom runner sliding system</p> <ul style="list-style-type: none"> > 50 KG/door loading capacity > Soft-close > Max. 20mm wooden door/Max. 34mm aluminium frame door > Recess mount 	SWB005
	<p>Bottom runner sliding system</p> <ul style="list-style-type: none"> > 50 KG/door loading capacity > Soft-close > Max. 20mm wooden door/Max. 34mm aluminium frame door > Surface mount 	SWB006

Content

SW sliding system

	Description	Item No.
	Bottom runner sliding system <ul style="list-style-type: none">> 60 KG/door loading capacity> Soft-close> Max. 32mm door> Recess mount	SWB007
	Bottom runner sliding system <ul style="list-style-type: none">> 60 KG/door loading capacity> Soft-close> Max. 32mm door> Surface mount	SWB008

SW sliding system

In line sliding system - SWL001



**“Flush design of sliding door
for big cabinet ”**

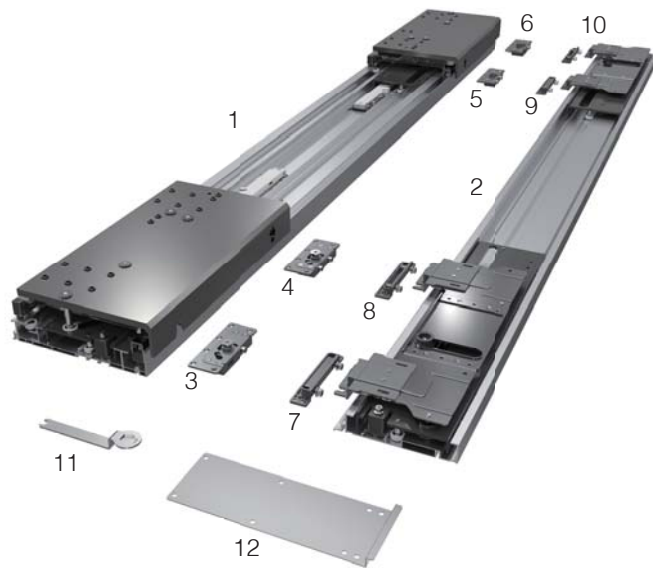
“Flexible cabinet width and efficient installation ”

LIVE YOUR LIFE | CEMUX.CO.UK



SW sliding system

In line sliding system - SWL001



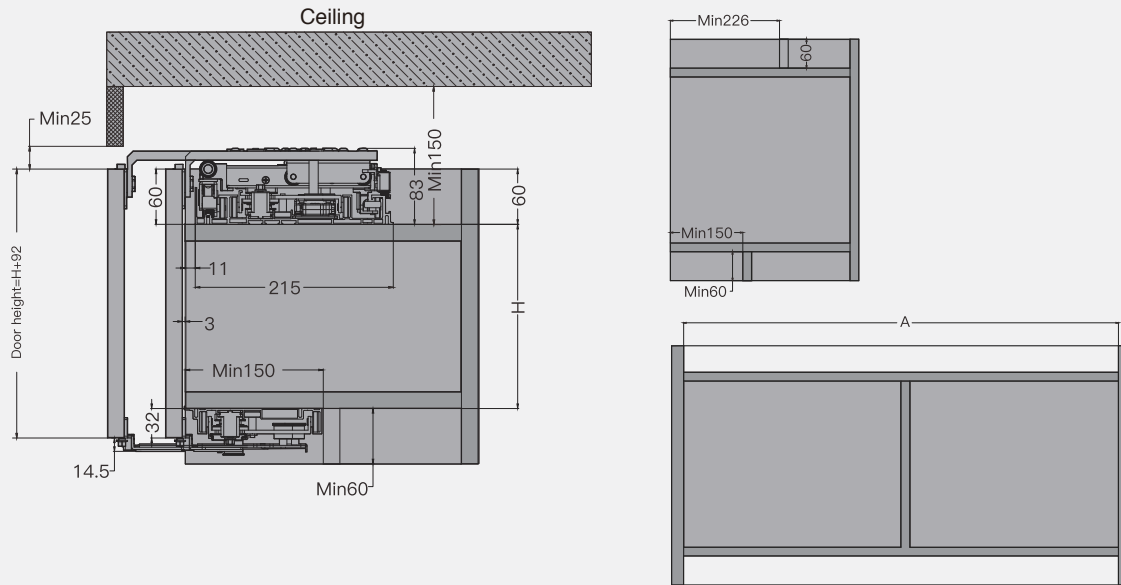
- In line sliding system
- Door height $\leq 2400\text{mm}$
- Soft-close system
- 80KG single door loading capacity
- Damper with anti jumping and anti-decoupling
- 45mm door thickness



	Item	Quantity (2 doors)
1	Top track	1 pc
2	Bottom track	1 pc
3 & 6	Top runner side regulator	2 pcs
4 & 5	Top runner middle regulator	2 pcs
7 & 10	Bottom runner side regulator	2 pcs
8 & 9	Bottom runner middle regulator	2 pcs
11	Spanner	1 pc
12	Drill position template	1 pc

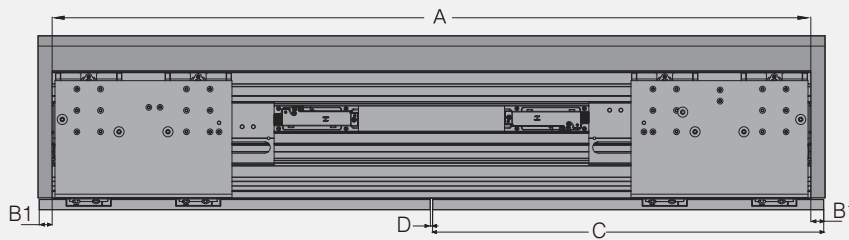
Item No.	Internal cabinet width	Track length	Remark
SWL001-1	1350-1650mm	1350-1650mm	Cut freely within the range
SWL001-2	1651-2050mm	1651-2050mm	Cut freely within the range
SWL001-3	2051-2450mm	2051-2450mm	Cut freely within the range
SWL001-4	2451-2850mm	2451-2850mm	Cut freely within the range

Cabinet requirements



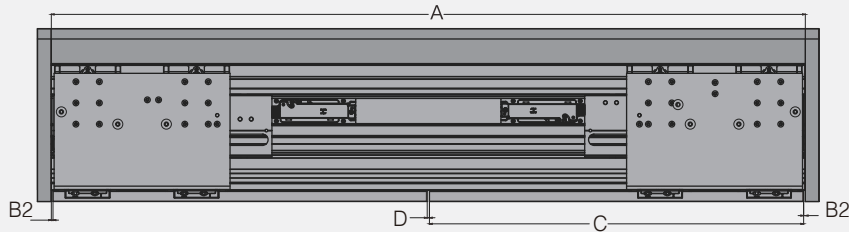
Door dimension

*Door overlay



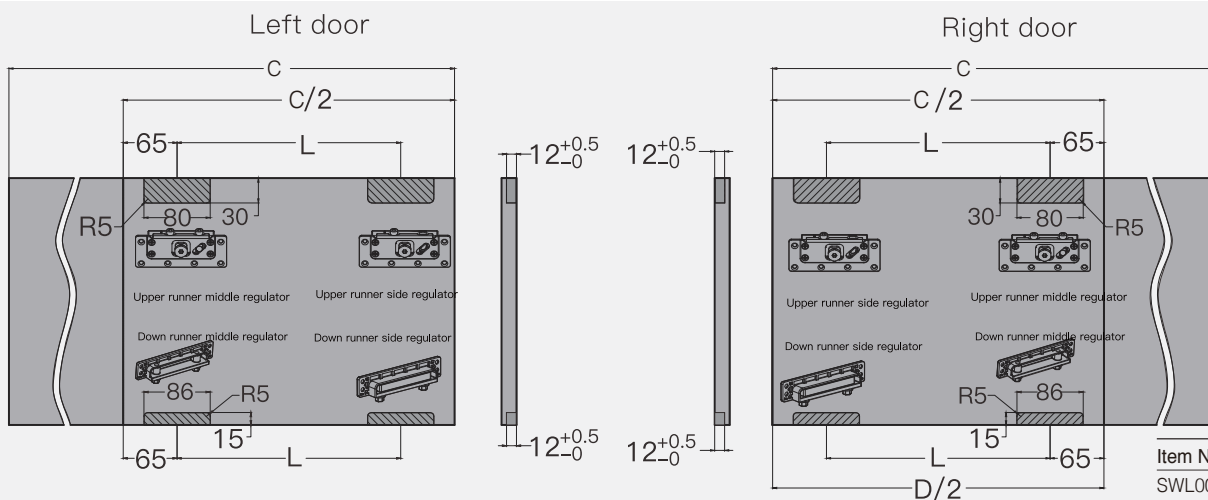
Door thickness (Handle include) $\leq 45\text{mm}$
 Door height $\leq 2400\text{mm}$
 Door overlay width = $(A+2 \times B1-D)/2$
 Door inset width = $(A-2 \times B2-D)/2$

*Door inset



A = Internal cabinet width
 B1 = Cover side panel width
 B2 = Gap of door and side panel
 C = Door width
 D = Gap of door $\geq 4\text{mm}$

Door installation



Item No.	L
SWL001-1	195
SWL001-2	270
SWL001-3	370
SWL001-4	470

SW sliding system

In line sliding system - SWL002

“Common system for top and bottom cabinet”

For hanging or base cabinet solution, one hardware system can be applied.

Minimal design to make your cabinet more elegant.





“Convenient operation with 100% door opening”

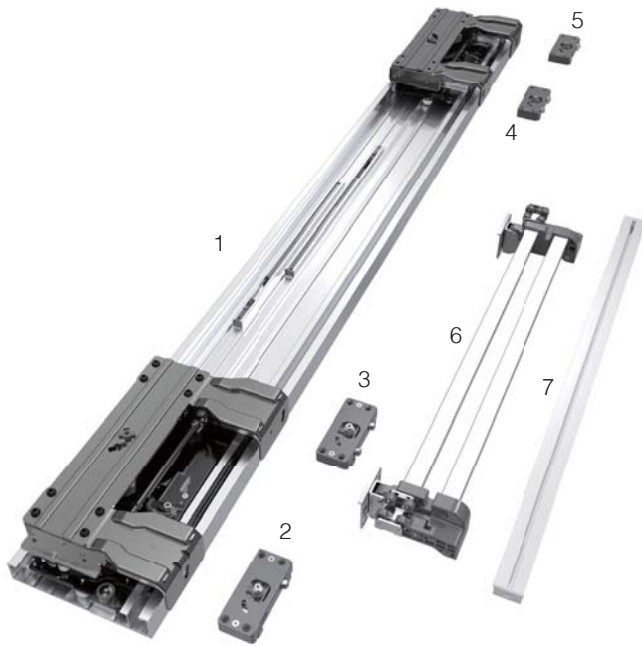
Flush design of sliding solution without handles or flexible handle design.

Easy installation with pre-mounted running system.

Adjustment with easy operation.

SW sliding system

In line sliding system - SWL002



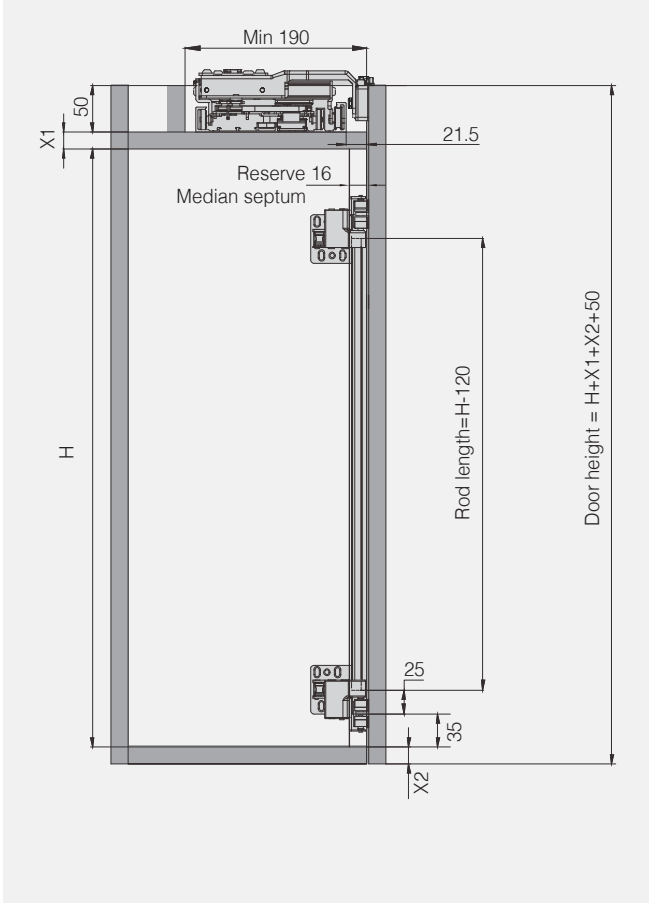
- For hanging cabinet or base cabinet
- In line sliding system
- Door height $\leq 1000/1500\text{mm}$
- Soft-close system
- 20KG single door loading capacity
- Damper with anti jumping and anti-decoupling
- 1150-1750/1751-2350mm internal cabinet width
- 15-22mm door thickness



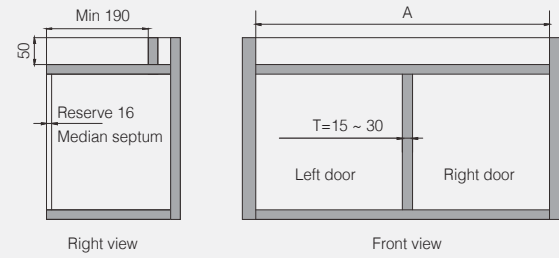
	Item	Quantity (2 doors)
1	Track	1 pc
2	Left door side regulator	1 pc
3	Left door middle regulator	1 pc
4	Right door middle regulator	1 pc
5	Right door side regulator	1 pc
6	Connecting rod	2 pcs
7	Door rail	4 pcs

Item No.	Internal cabinet width	Door width (Cover side panel 22mm)	Door height
SWL002-1	1150-1750mm	600-900mm	$\leq 1000\text{mm}$
SWL002-2	1751-2350mm	900-1200mm	$\leq 1500\text{mm}$

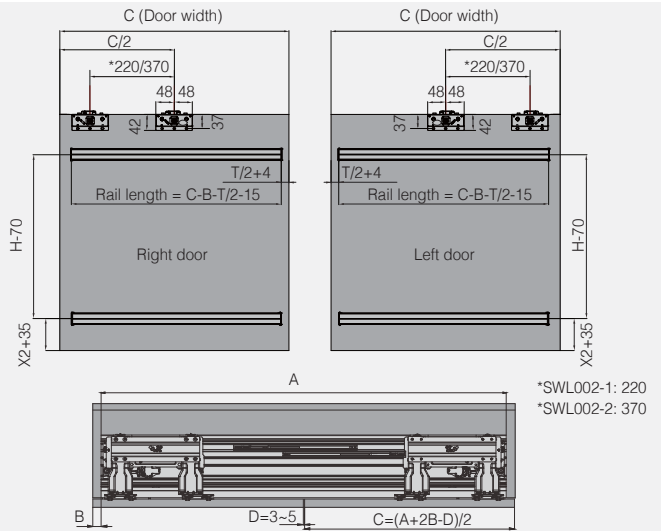
Hanging cabinet installation



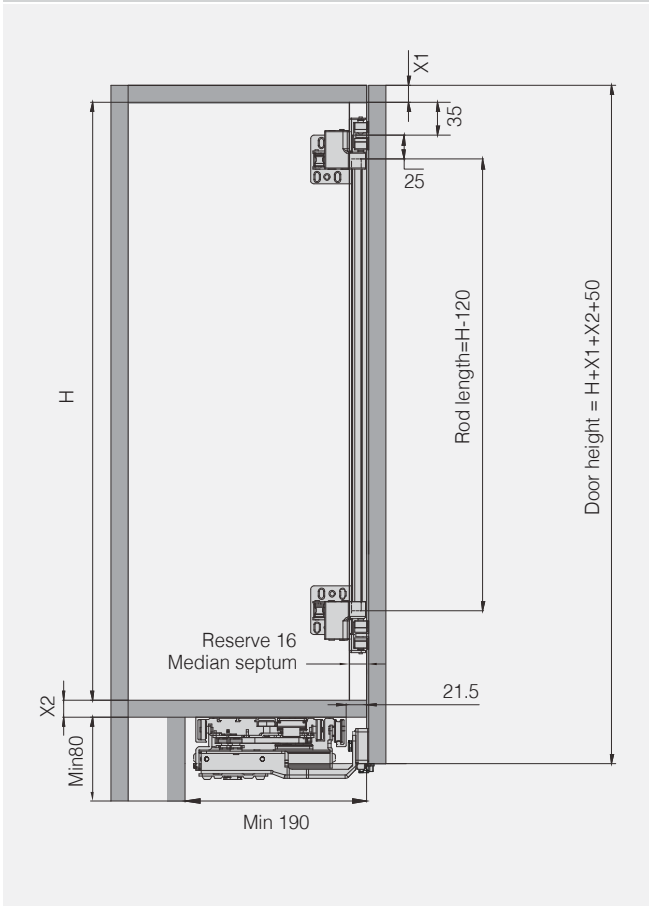
Cabinet requirements



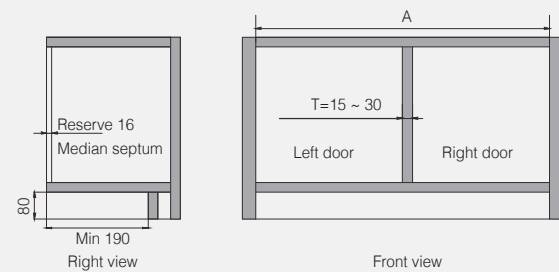
Door dimension



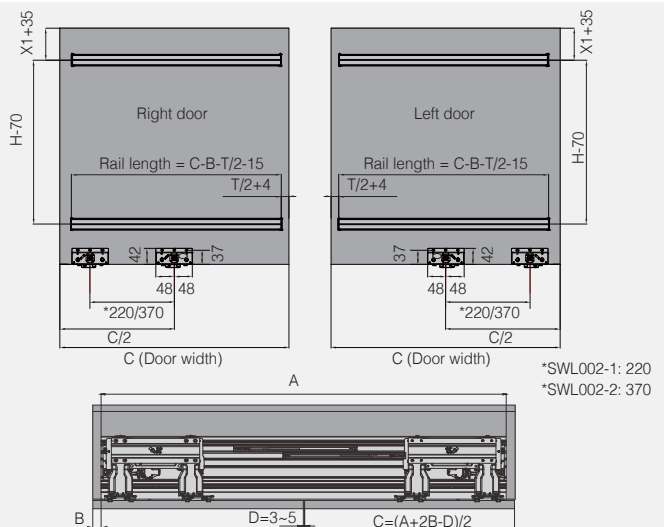
Base cabinet installation



Cabinet requirements



Door dimension



Folding sliding system

SWF002













SW sliding system

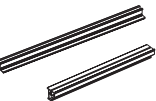
Folding sliding system - SWF002



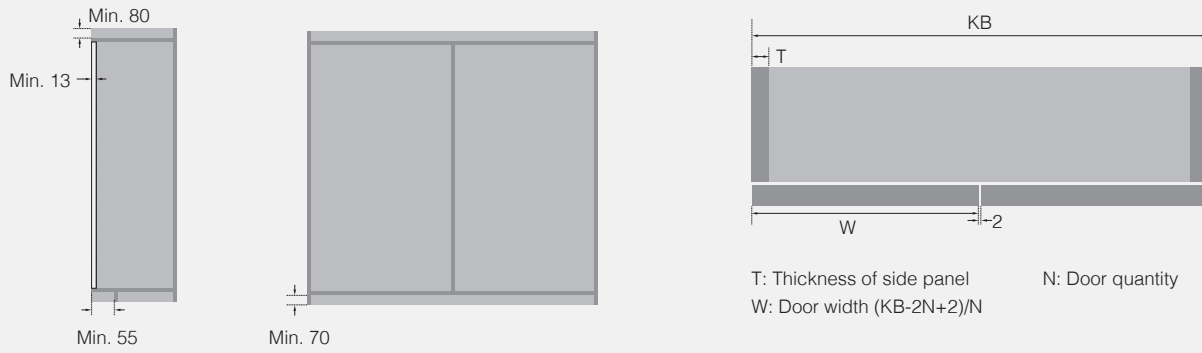
- Folding door
- Soft-close system
- 20KG/door loading capacity
- Damper with anti jumping and anti-decoupling
- 300-600mm door width
- Min. 16mm door thickness
- Wooden door and aluminum frame door



	Item	Quantity (2 doors)
	Left upper runner	1 pc
	Left lower runner	1 pc
	Right upper runner	1 pc
	Right lower runners	1 pc
	Plastic hinge	4 pcs
	Damper	2 pcs
	Position template	1 pc
	Fixing accessories	1 pc
	8mm spanner	1 pc
	ST4*16 screw	46 pcs
Item No.		SWF002

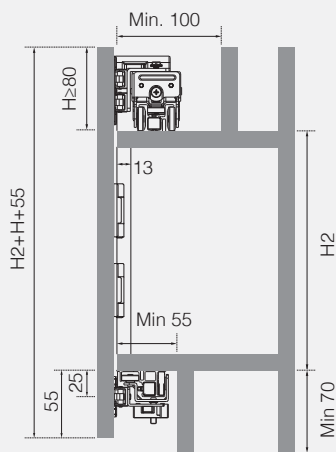
	Item	Item No.	Remark
	Upper and lower rail	SWF02-R	3000mm length;

Space required

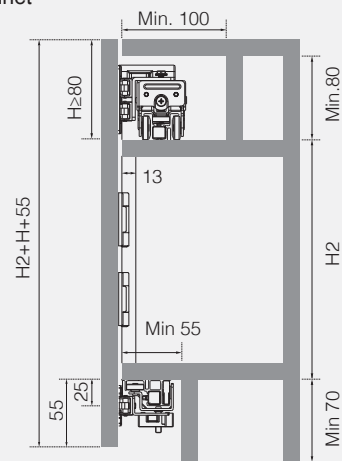


Space required

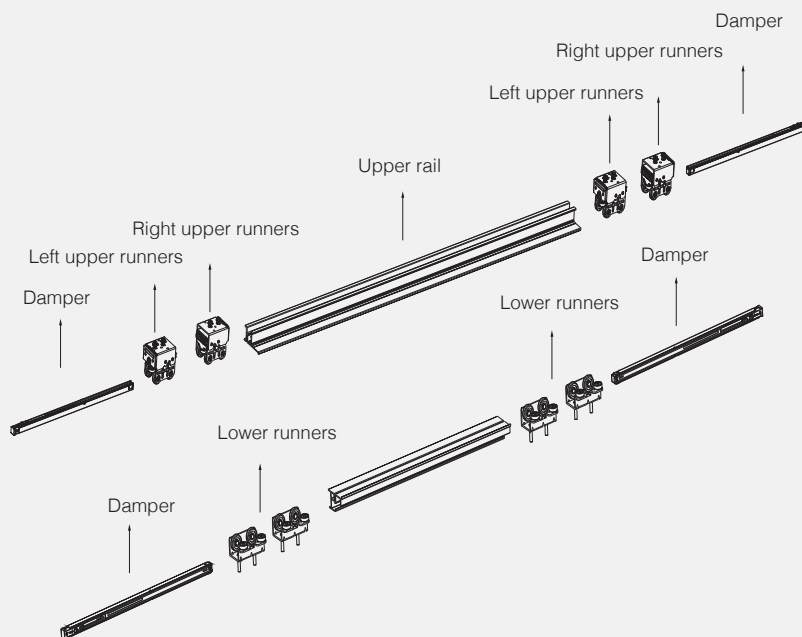
Without top cabinet



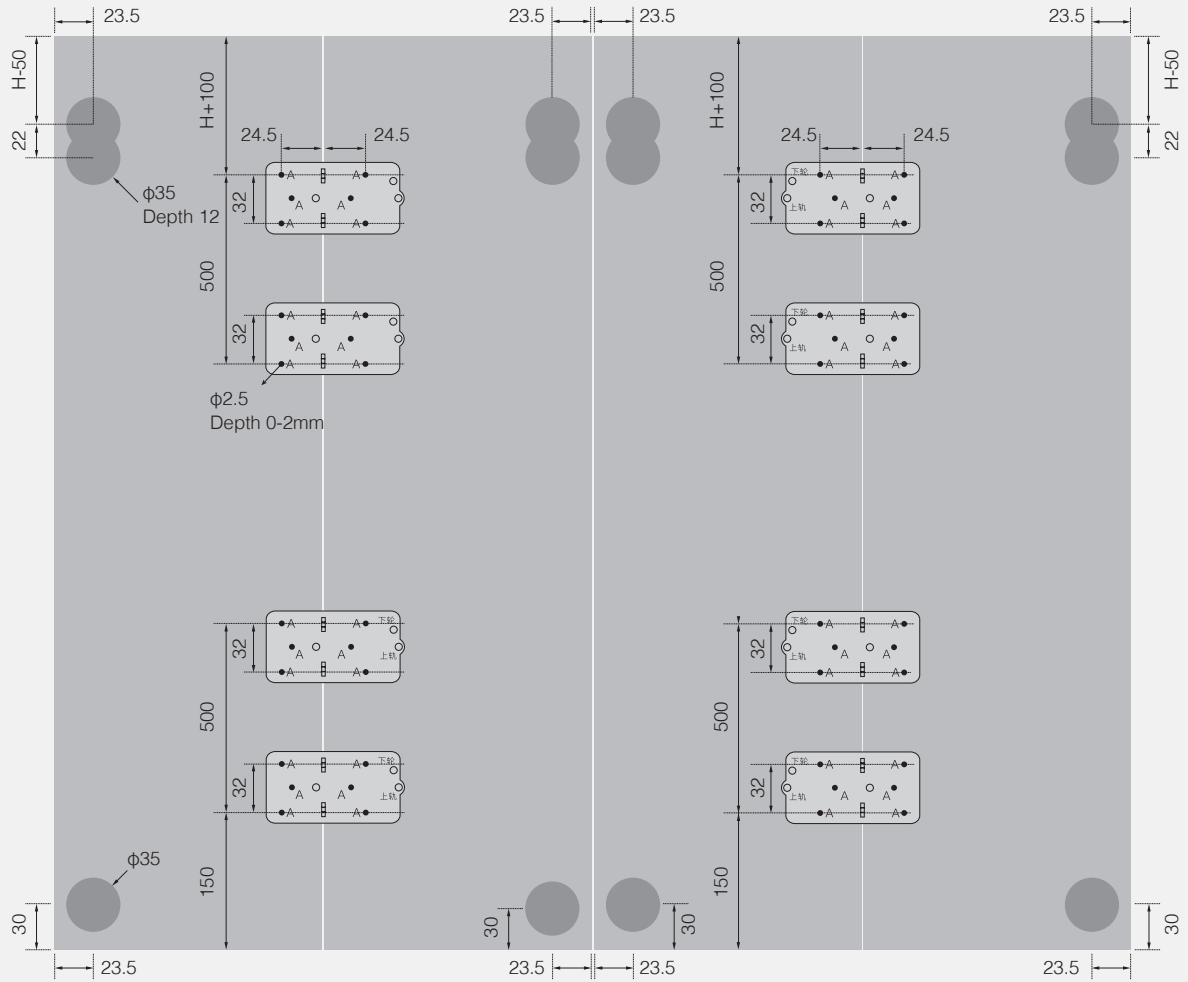
With top cabinet



Installation rails and runners for four doors



Installation dimension of doors (4 doors)



Folding sliding system

SWF003-1









SW sliding system


Folding sliding system - SWF003-1



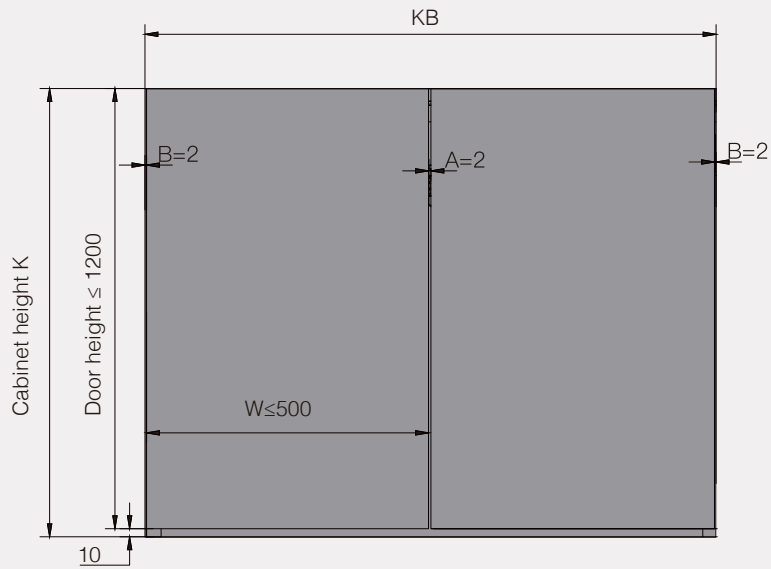
- Folding door
- Soft-close system
- 15KG/door loading capacity
- Brush device for cleaning dust on the rail
- 300-500mm door width
- 18-25mm door thickness
- Max door height 1200mm



	Item	Quantity (2 doors)
	Upper runner	1 pc
	Folding hinge	1 pc
	Stopper	1 pc
	Overlay hinge	2 pcs
	Plastic hinge	1 pc
	Position template	1 pc
	ST4x16 wooden screw	30 pcs
Item No.		SWF003-1

	Item	Item No.	Remark
	Upper rail	SWF03-UR	3000mm length;

Space required

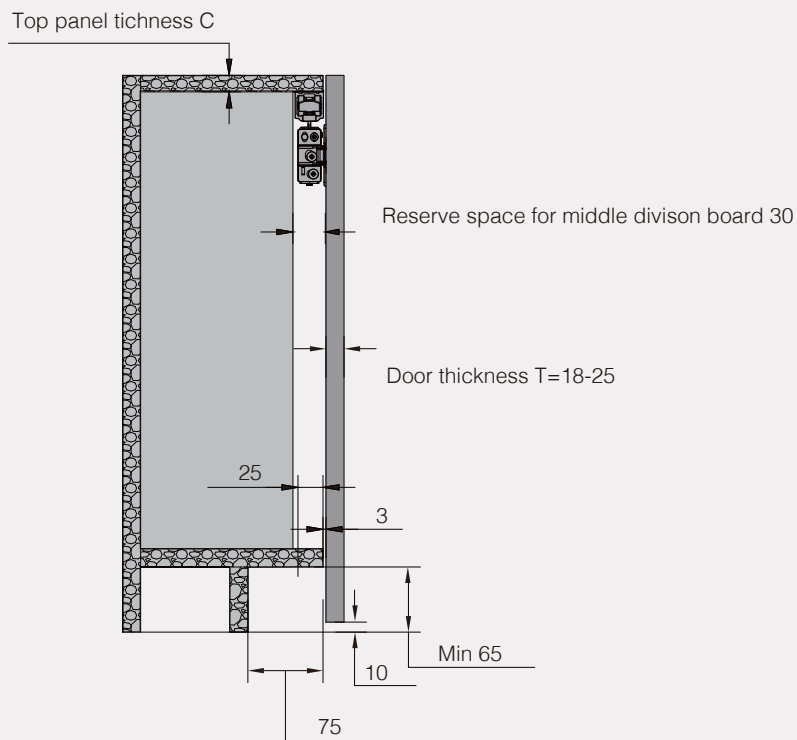


A: 2mm gap for plastic hinge installation

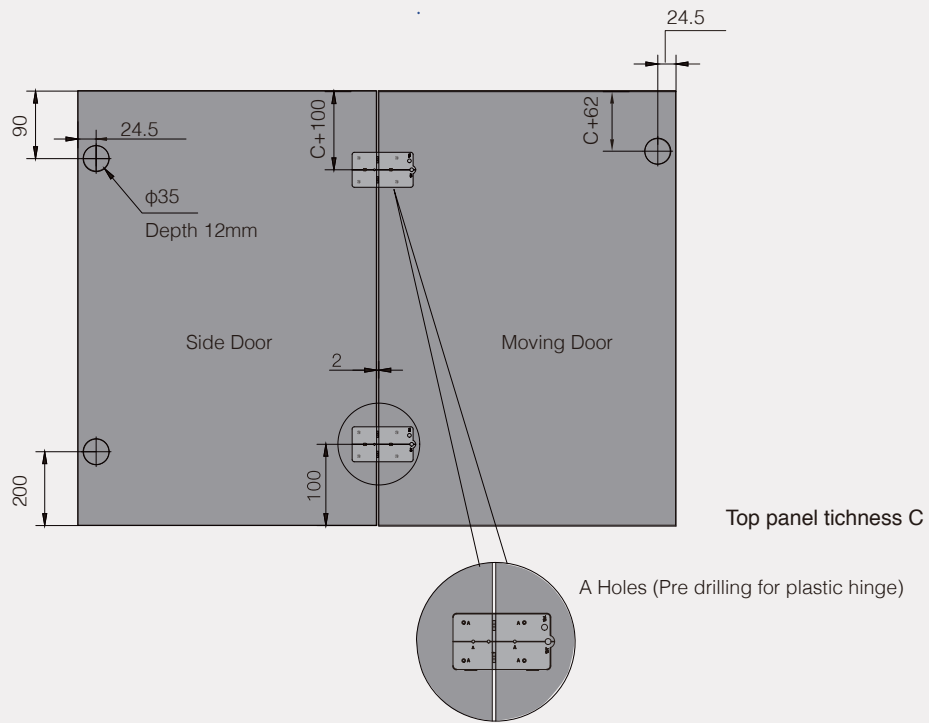
B: 2mm gap for door overlay

Door width: $W = \frac{KB-6}{2} \leq 500\text{mm}$

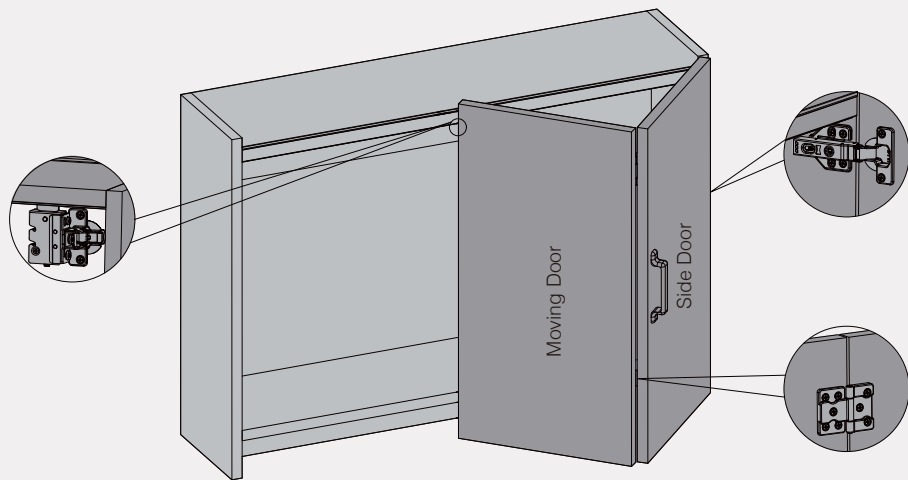
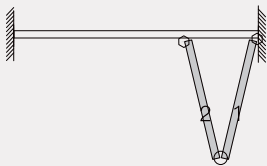
Door height: $H = K - 10 \leq 1200\text{mm}$



Dimension for drilling holes



Application and installation



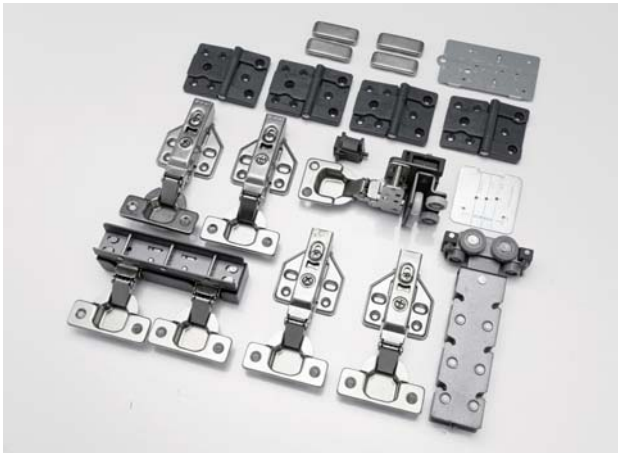
Folding sliding system

SWF003-2



SW sliding system



Folding sliding system - SWF003-2



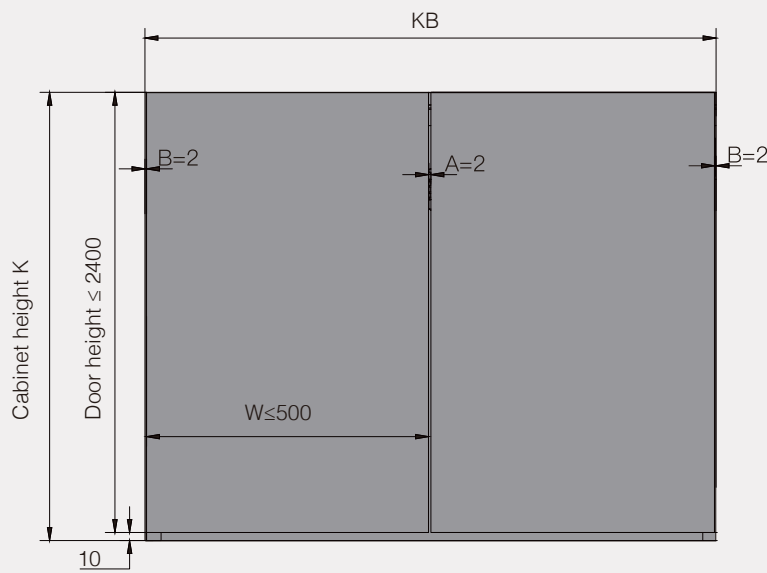
- Folding door
- Soft-close system
- 25KG/door loading capacity
- Brush device for cleaning dust on the rail
- 300-500mm door width
- 18-25mm door thickness
- Max door height 2400mm



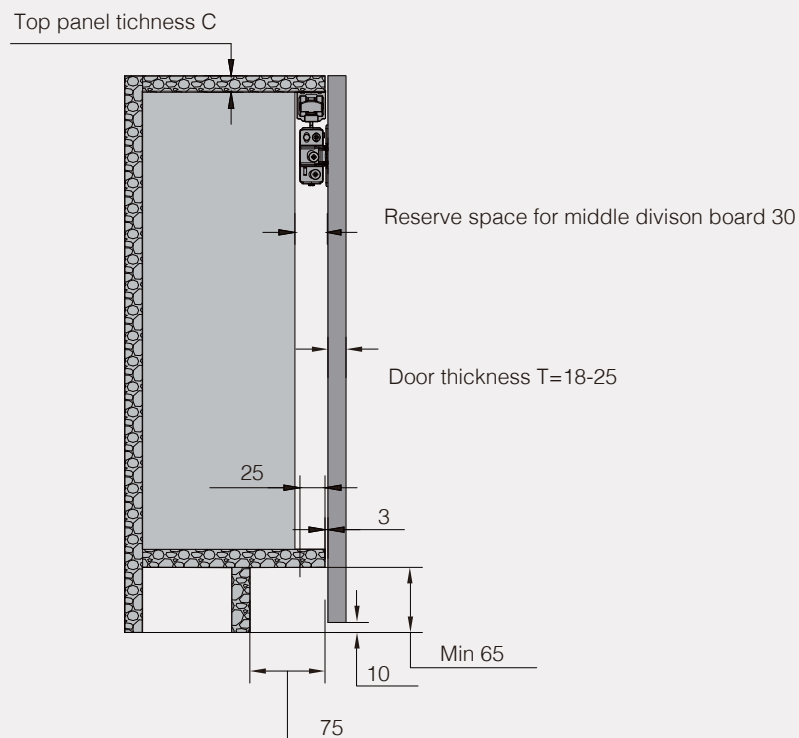
	Item	Quantity (2 doors)
	Upper runner	1 pc
	Folding upper hinge	1 pc
	Folding lower hinge	1 pc
	Stopper	1 pc
	Overlay hinge	4 pcs
	Plastic hinge	4 pcs
	Position template	1 pc
	ST4x16 wooden screw	62 pcs
Item No.		SWF003-2

	Item	Item No.	Remark
	Upper rail	SWF03-UR	3000mm length;
	Lower rail	SWF03-LR	3000mm length;

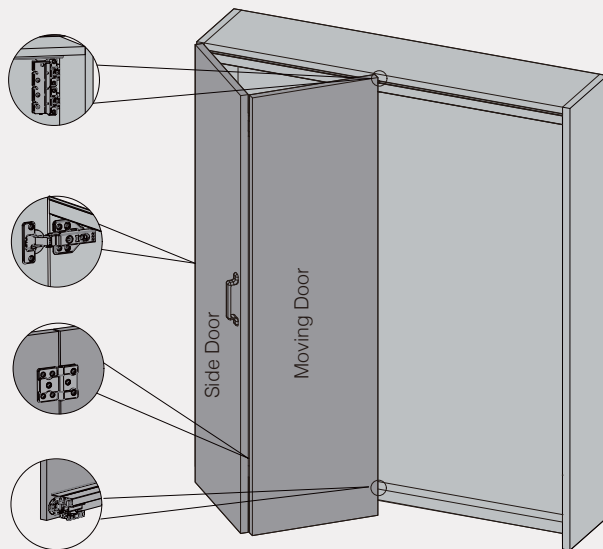
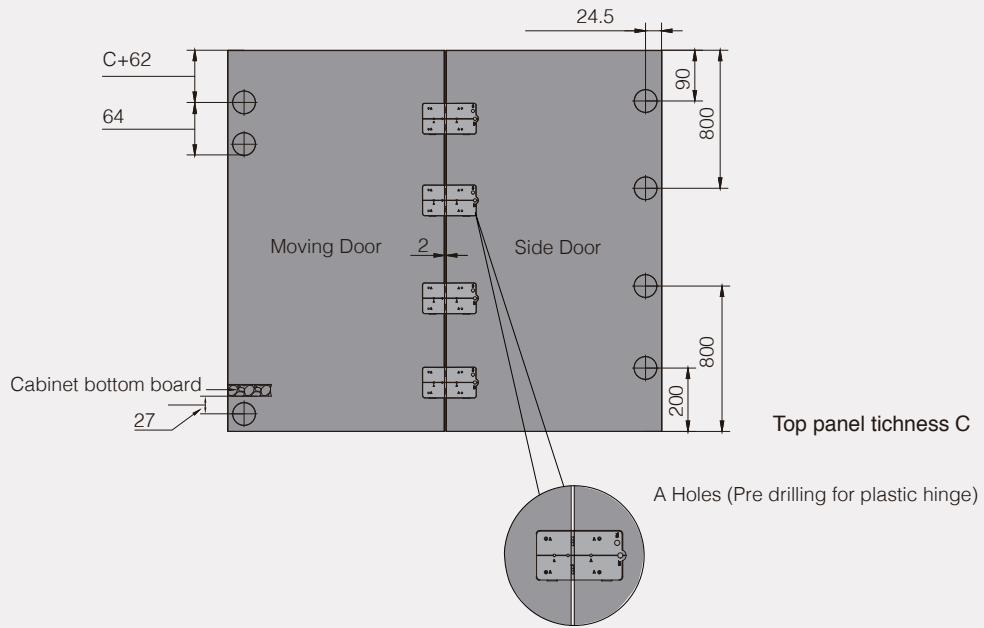
Space required



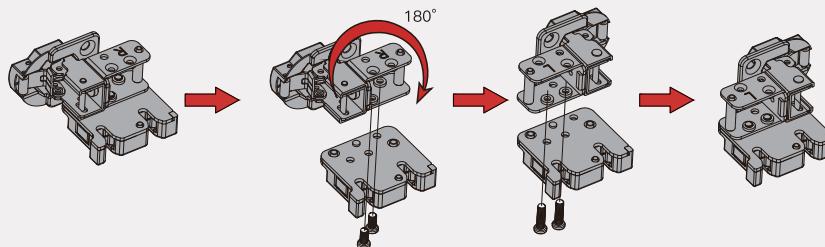
A: 2mm gap for plastic hinge installation
 B: 2mm gap for door overlay
 Door width: $W = \frac{KB-6}{2} \leq 500$ mm
 Door height: $H = K - 10 \leq 2400$ mm



Dimension for drilling holes



Adjusting folding lower hinge from right open to left open



Top hanging system

SWT003



SW sliding system

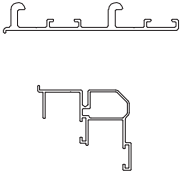
Top hanging sliding system - SWT003

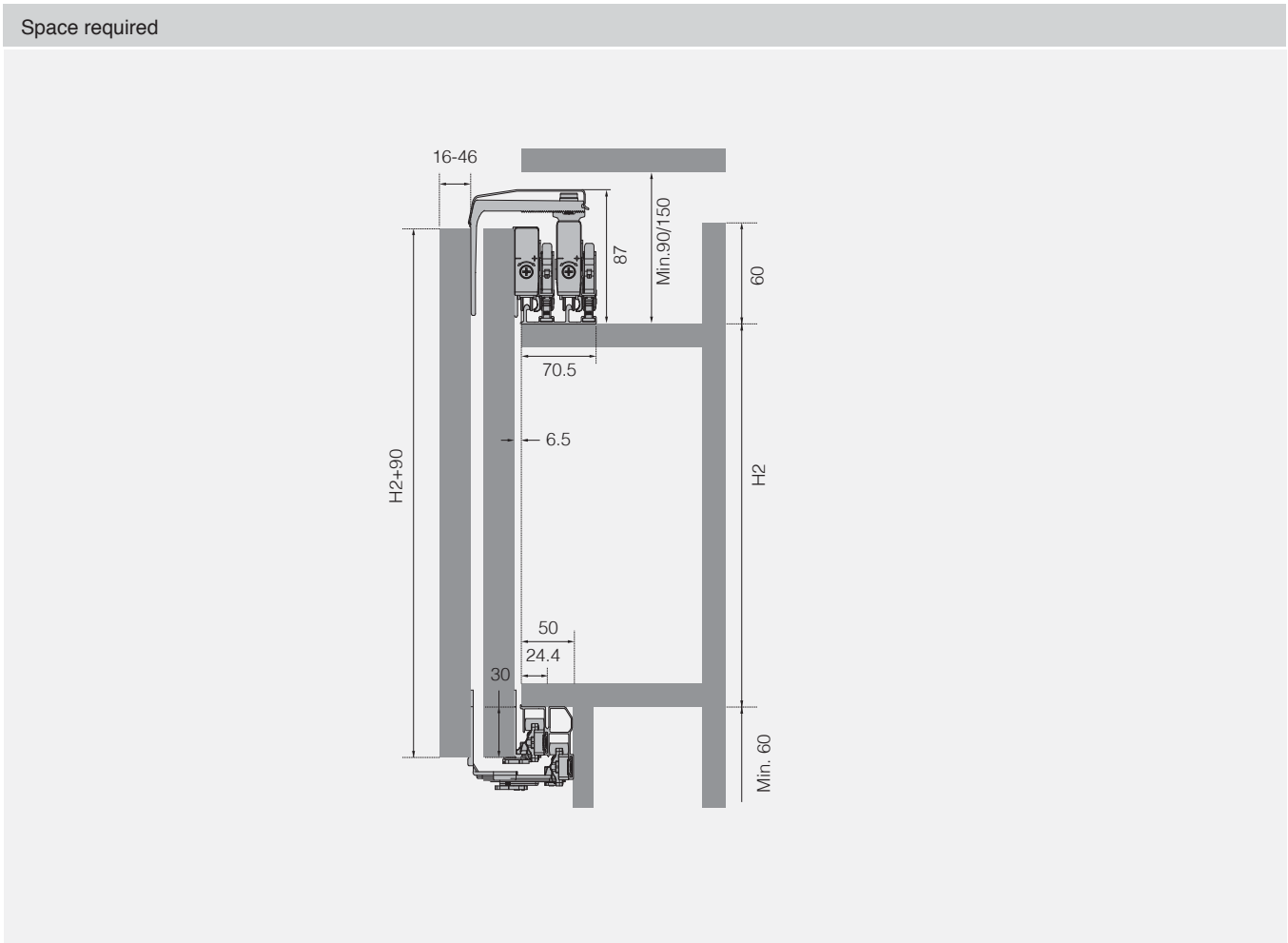
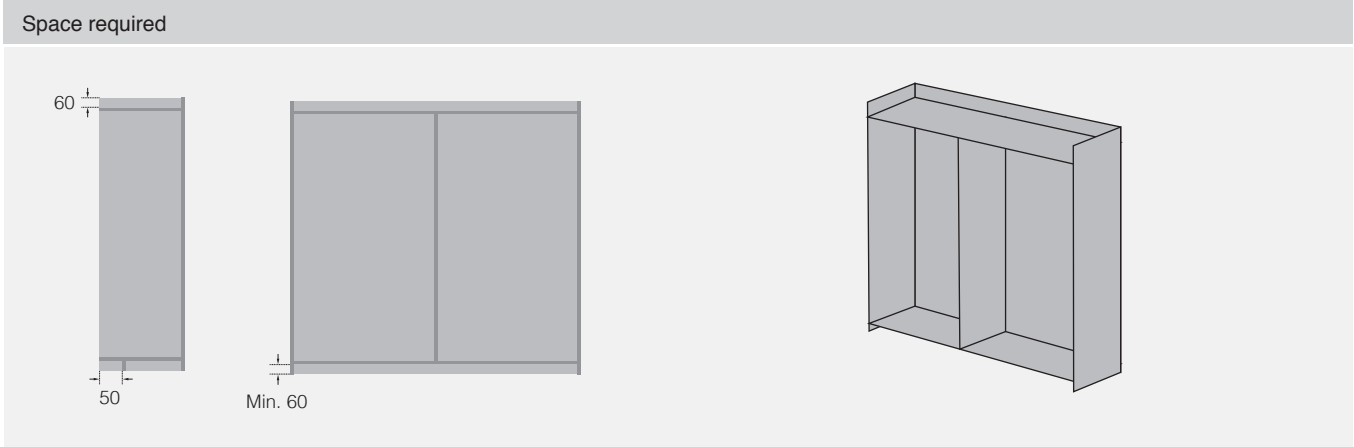


- Top hanging sliding system
- Soft-close system
- 80KG/door loading capacity
- Damper with anti jumping and anti-decoupling
- 700-1500mm door width
- 16-46mm door thickness
- Door height ≤2500mm



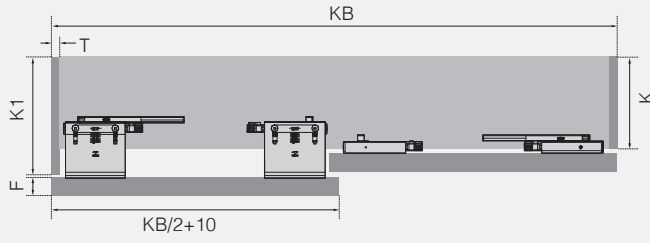
	Item	Quantity (2 doors)		Quantity (3 doors)	
		Single side soft-close	Double soft-close	Double soft-close	Triple soft-close
	Left upper runner for outside door	1 pc	1 pc	1 pc	1 pc
	Right upper runner for outside door	1 pc	1 pc	1 pc	1 pc
	Left upper runner for inside door	1 pc	1 pc	2 pcs	2 pcs
	Right upper runner for inside door	1 pc	1 pc	2 pcs	2 pcs
	Lower runner for outside door	2 pcs	2 pcs	2 pcs	2 pcs
	Lower runner for inside door	2 pcs	2 pcs	4 pcs	4 pcs
	Upper damper	2 pcs	4 pcs	4 pcs	6 pcs
	Lower damper	2 pcs	4 pcs	4 pcs	4 pcs
	Upper stopper	2 pcs	4 pcs	4 pcs	4 pcs
	Anti pinch device	1 pc	1 pc	2 pcs	2 pcs
	Anti collide stopper	0 pc	0 pc	0 pc	1 pc
	Position template	1 pc	1 pc	1 pc	1 pc
Item No.		SWT003-1	SWT003-2	SWT003-3	SWT003-4

	Item	Item No.	Remark
	Upper and lower rail	SWT03-R	3000mm length;



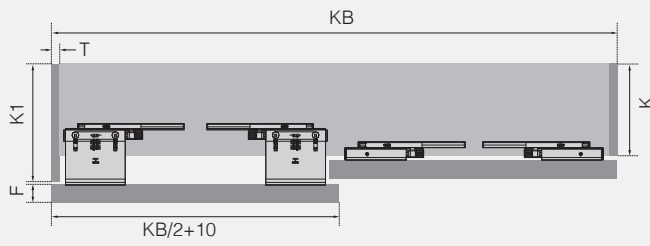
Installation dimension of doors

Single side soft close for 2 doors

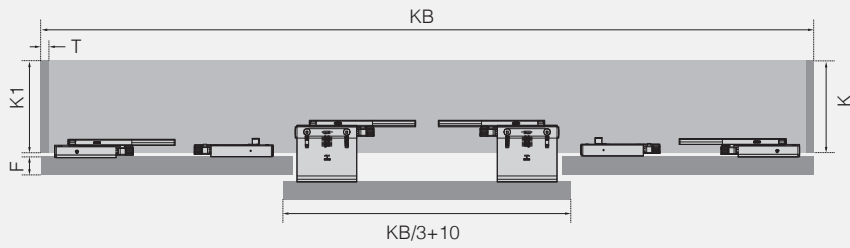


T: Thickness of side panel
KB: Cabinet width
F: Thickness of front panel
 $K1=K+F+8$

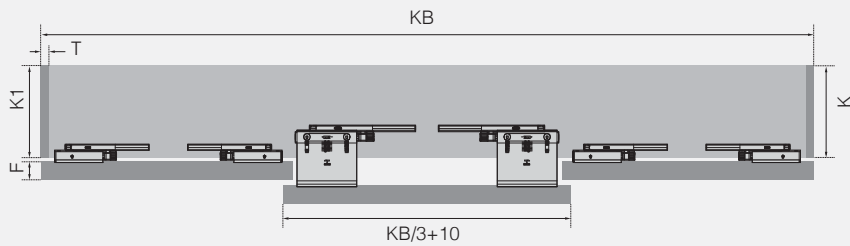
Double soft close for 2 doors



Double soft close for 3 doors



Triple soft close for 3 doors



Top hanging system

SWT004

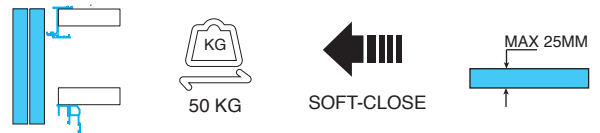


SW sliding system


Top hanging sliding system - SWT004

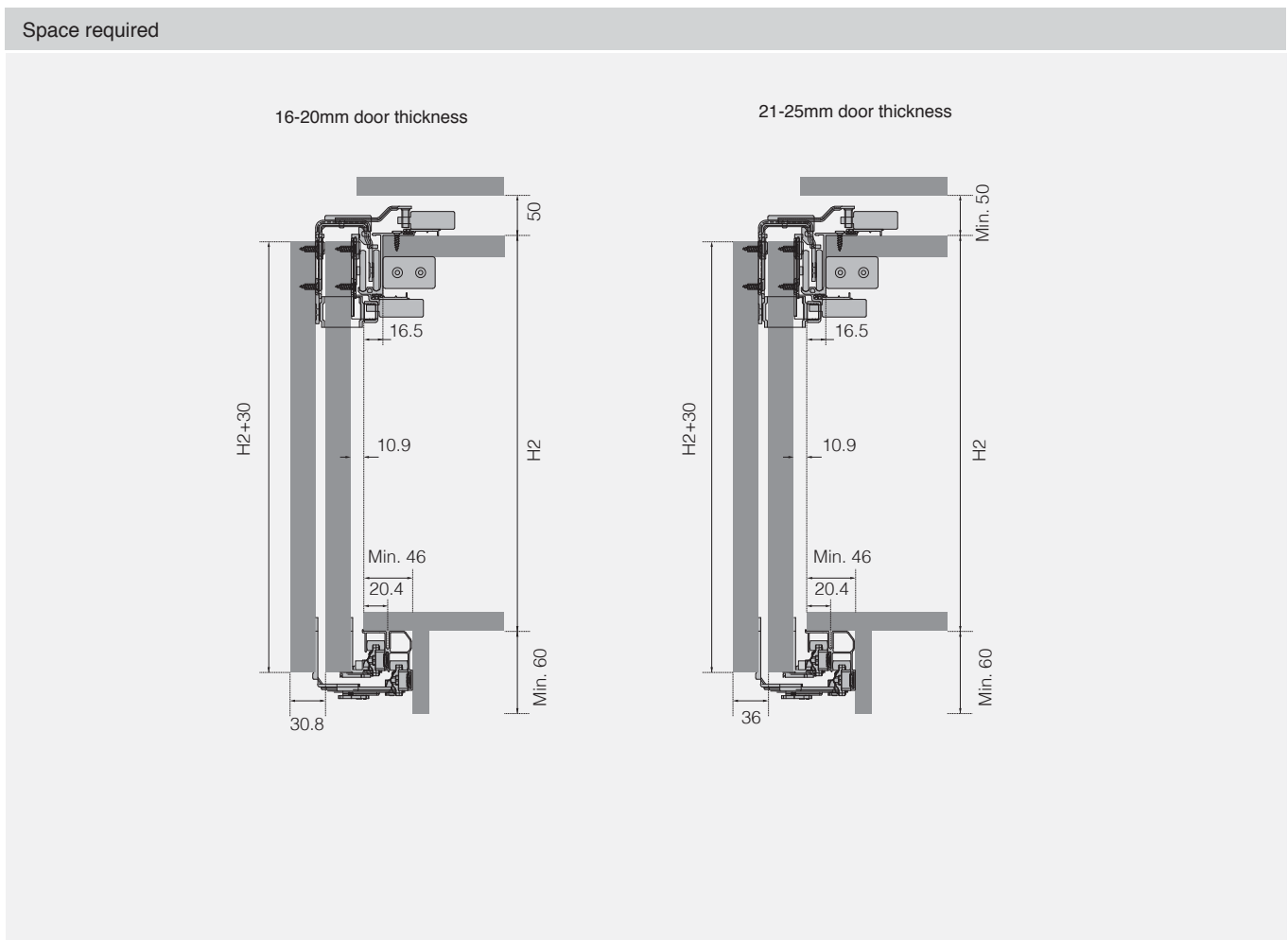
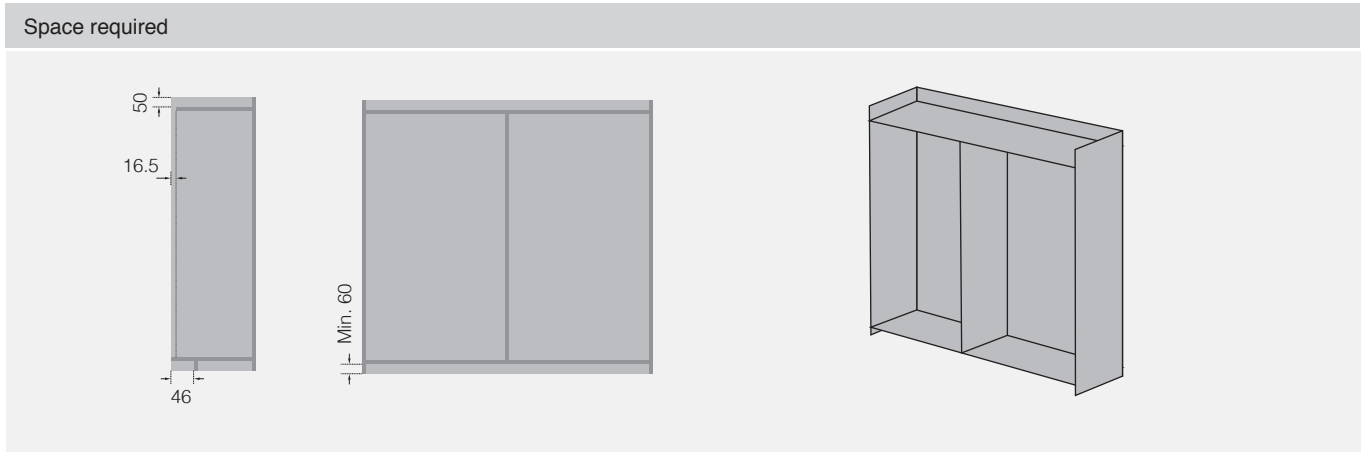


- Top hanging sliding system
- Soft-close system
- 50KG/door loading capacity
- Damper with anti jumping and anti-decoupling
- 700-1500mm door width
- 16-20/21-25mm door thickness
- Door height ≤2500mm

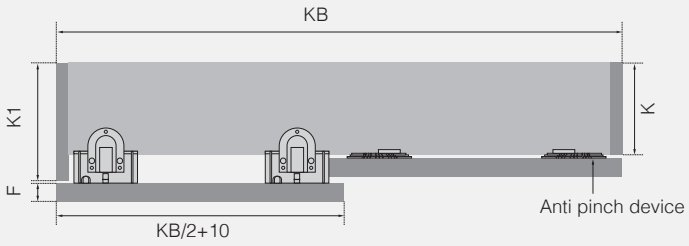


	Item	Quantity (2 doors)		Quantity (3 doors)
		Single side soft-close	Double soft-close	Double soft-close
	Upper runner for outside door	2 pcs	0 pc	0 pc
	Upper runner for outside door with level	0 pc	2 pcs	2 pcs
	Left upper runner for inside door	1 pc	1 pc	2 pcs
	Right upper runner for inside door	1 pc	1 pc	2 pcs
	Lower runner for outside door	2 pcs	2 pcs	2 pcs
	Lower runner for inside door	2 pcs	2 pcs	4 pcs
	Left upper damper	1 pc	2 pcs	2 pcs
	Right upper damper	1 pc	2 pcs	2 pcs
	Lower damper	2 pcs	4 pcs	4 pcs
	Plastic support	2 pcs	2 pcs	4 pcs
	Fixed block	2 pcs	2 pcs	2 pcs
	Position template	1 pc	1 pc	1 pc
	Anti pinch device	1 pc	1 pc	2 pcs
	Inner stopper for outside door	1 pc	0 pc	0 pc
Item No.		SWT004-1	SWT004-2	SWT004-3

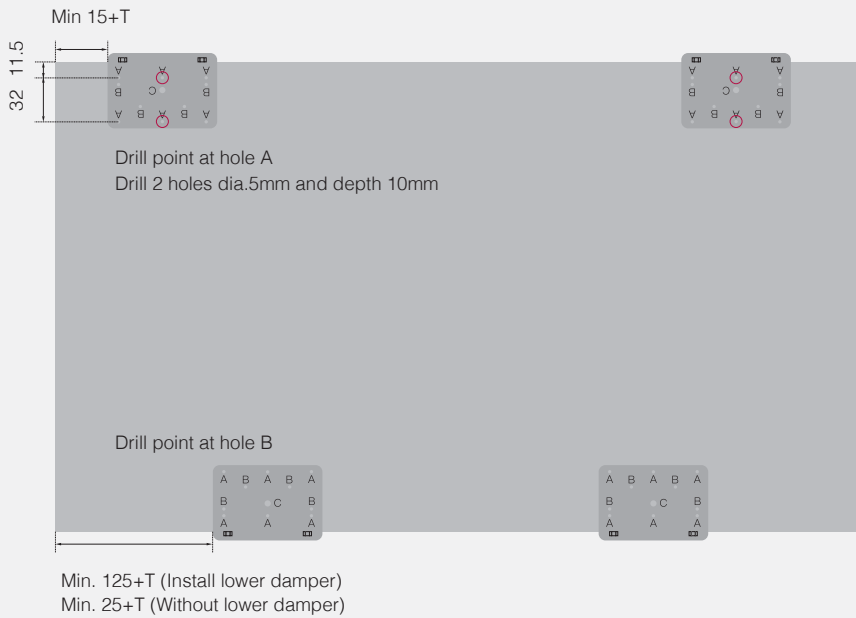
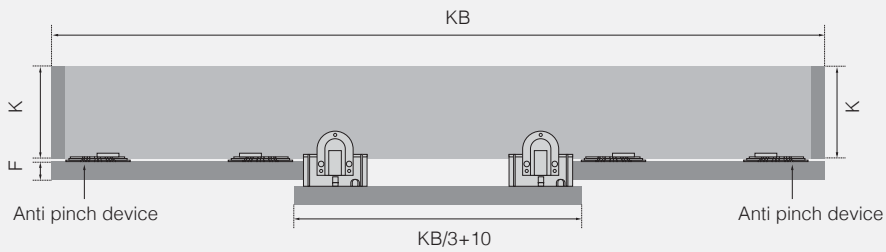
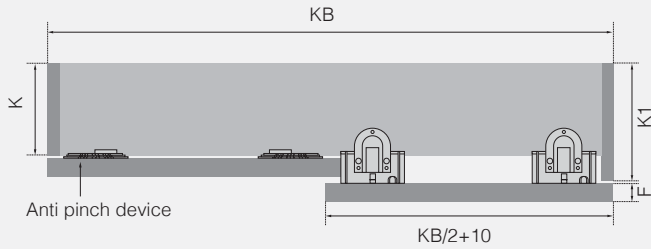
	Item	Item No.	Remark
	Upper and lower rails	SWT04-R20	3000mm length; For 16-20mm door tickness
		SWT04-R25	3000mm length; For 20-25mm door tickness



Installation dimension of doors

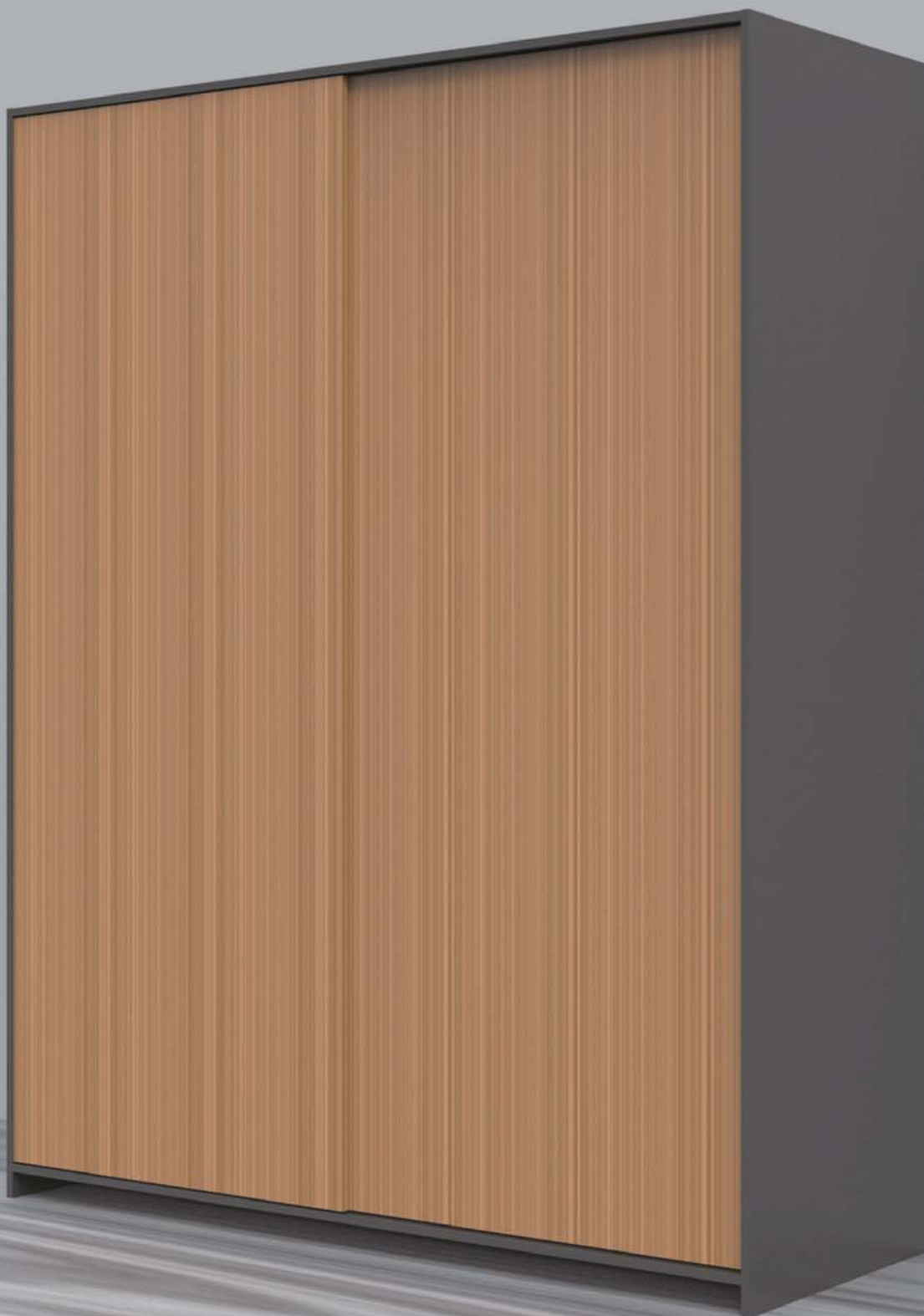


KB: Cabinet width
 F: Thickness of front panel
 T: Thickness of side panel
 $K1=K+31$



Bottom runner system

SWB005






SW sliding system


Bottom runner sliding system - SWB005



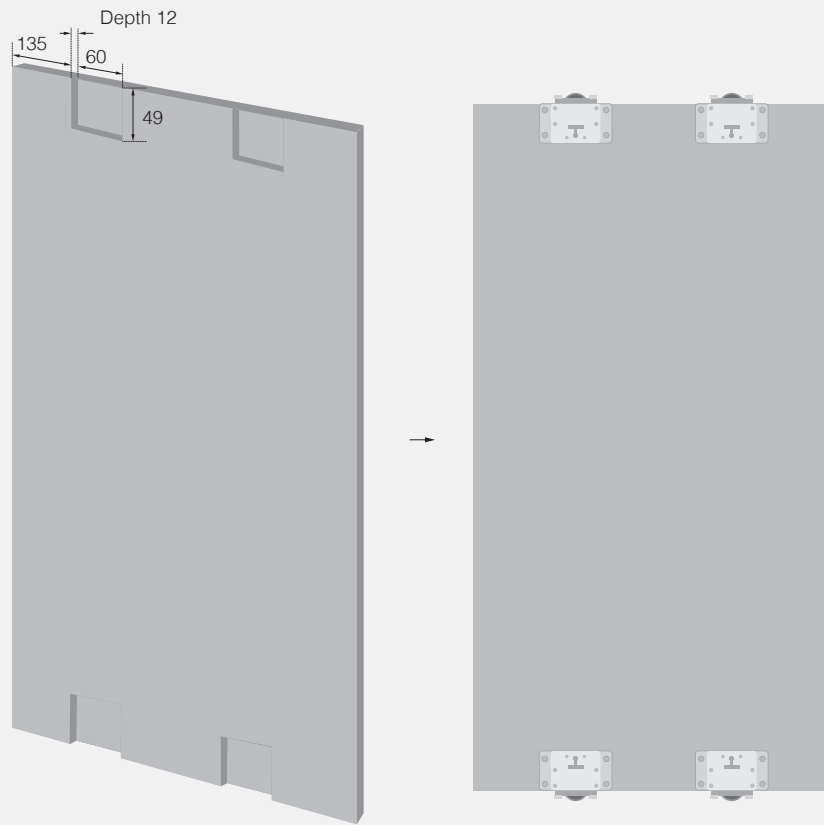
- Bottom runner sliding system
- Recess mounting
- Soft-close system
- 50KG/door loading capacity
- Damper with anti jumping and anti-decoupling
- 500-1200mm door width
- Max. 20mm wooden door thickness
- Max. 34mm aluminium frame door thickness
- Door height ≤2500mm



	Item	Quantity (2 doors)	Quantity (3 doors)	Quantity (4 doors)
	Runner	8 pcs	12 pcs	18 pcs
	Damper	4 pcs	4 pcs	4 pcs
	Fixing accessories	1 pc	1 pc	1 pc
	ST4x16 screw	32 pcs	48 pcs	64 pcs
	Item No.	SWB005-1	SWB005-2	SWB005-3

	Item	Item No.	Remark
	Rail set	SWB05-R	3000mm length;

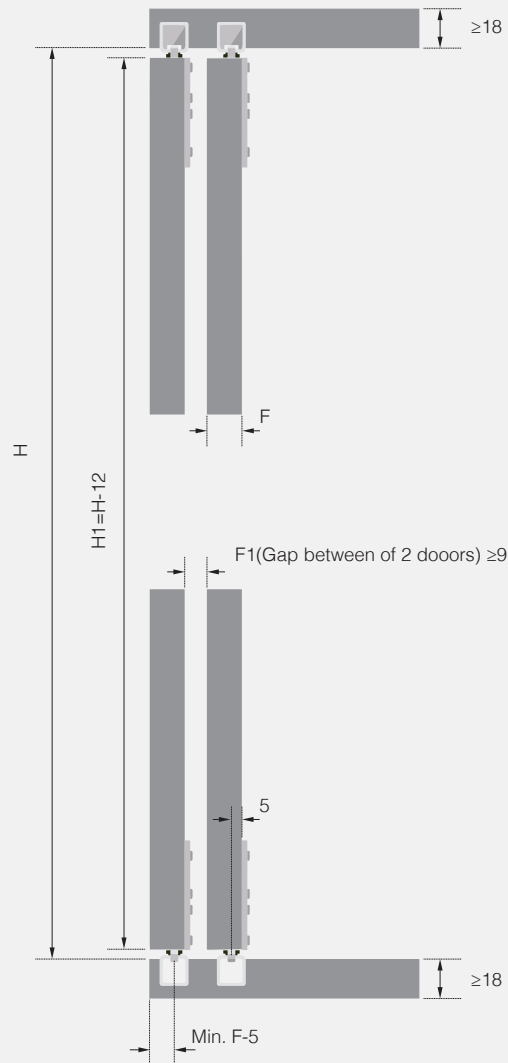
Installation dimension



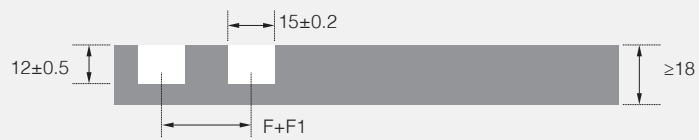
Installation damper



Space required



Slot dimension for rail



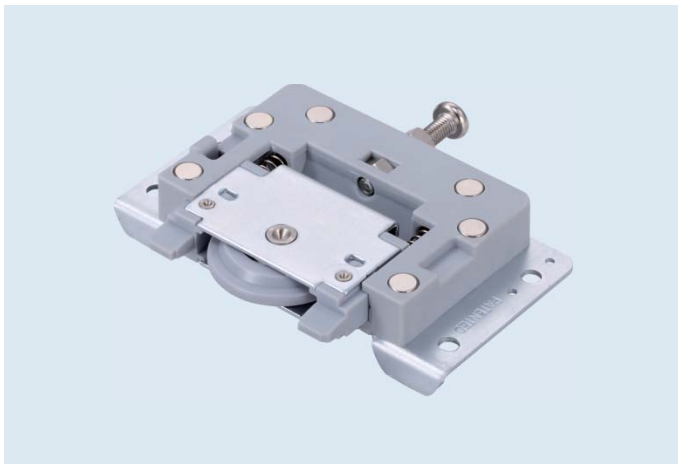
Bottom runner system

SWB006






SW sliding system

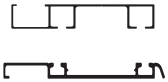
Bottom runner sliding system - SWB006

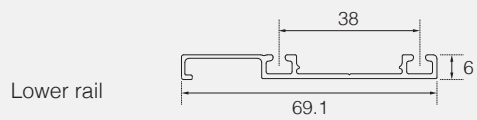
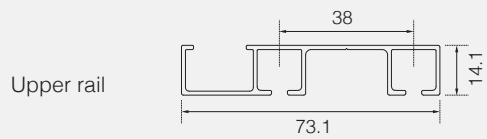
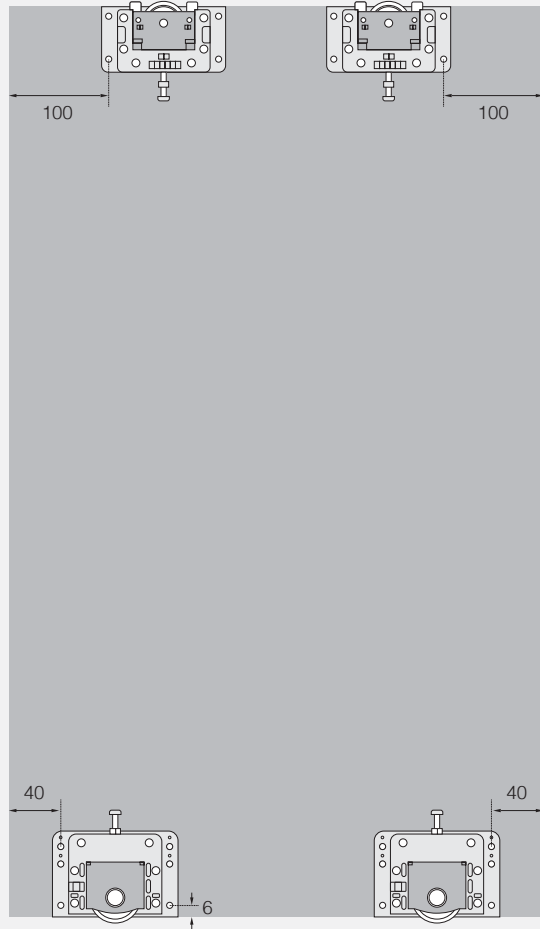
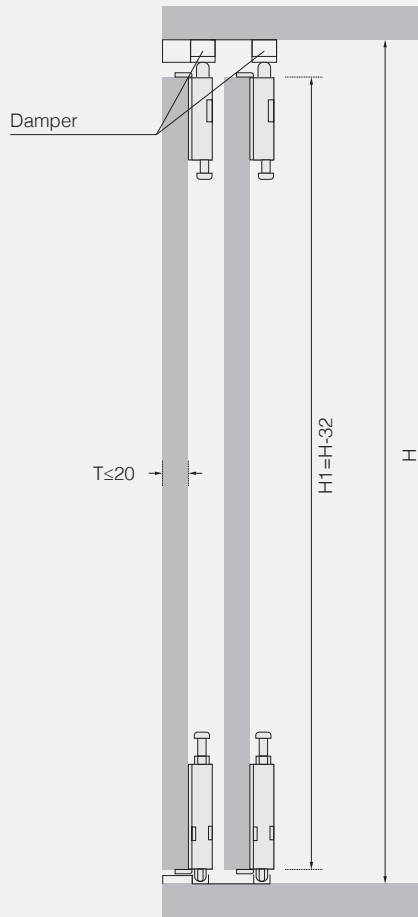


- Bottom runner sliding system
- Surface mounting
- Soft-close system
- 50KG/door loading capacity
- Damper with anti jumping and anti-decoupling
- 500-1200mm door width
- Max. 20mm wooden door thickness
- Max. 34mm aluminium frame door thickness
- Door height ≤2500mm

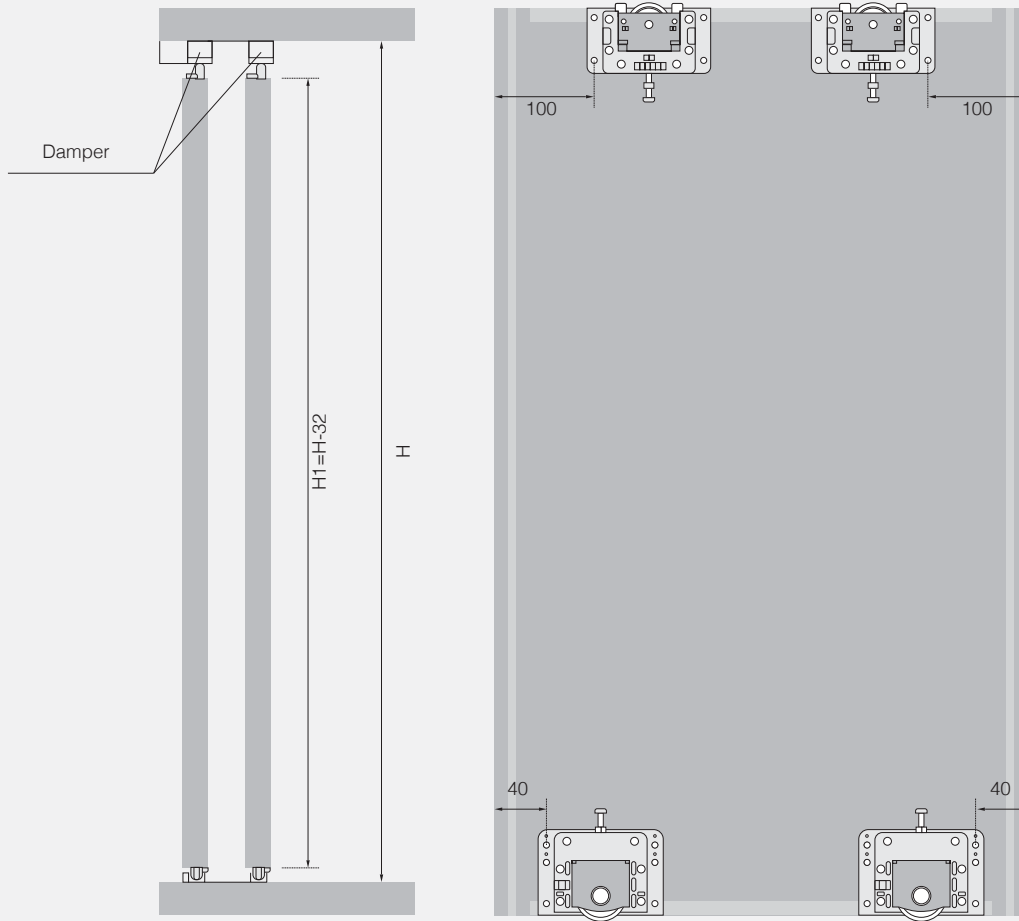


	Item	Quantity (2 doors)	Quantity (3 doors)
	Upper runner	4 pcs	6 pcs
	Lower runner	4 pcs	6 pcs
	Damper	4 pcs	4 pcs
	Spacer	16 pcs	24 pcs
	Fixing accessories	1 pc	1 pc
	ST4x16 screw	32 pcs	48 pcs
Item No.		SWB006-1	SWB006-2

	Item	Item No.	Remark
	Rail set	SWB06-R	3000mm length;



Installation dimension for aluminium frame door



Bottom runner system

SWB007

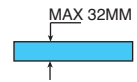
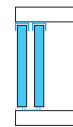


SW sliding system

Bottom runner sliding system - SWB007



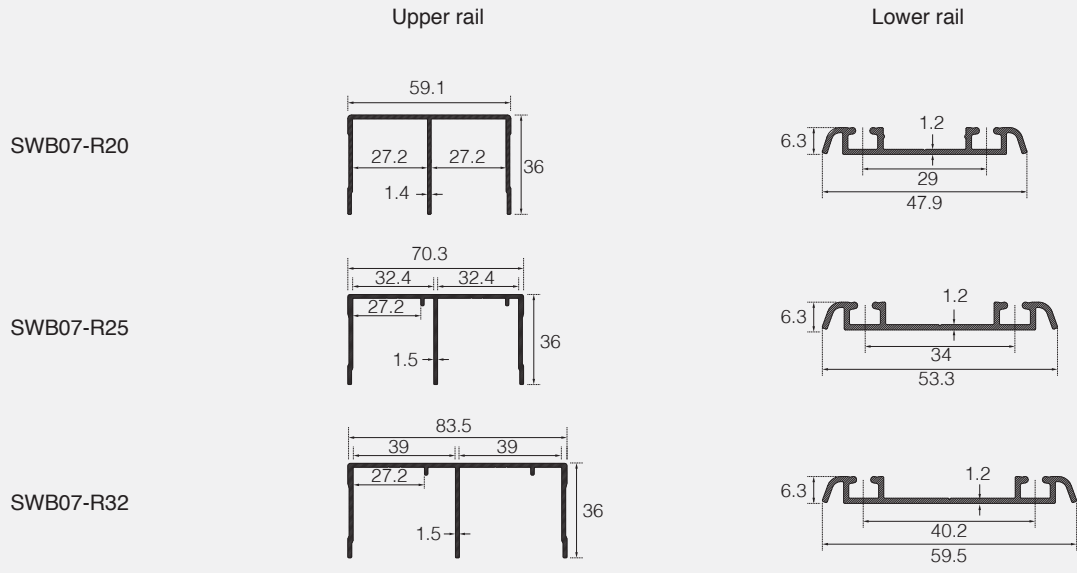
- Bottom runner sliding system
- Recess mounting
- Soft-close system
- 60KG/door loading capacity
- Damper with anti jumping and anti-decoupling
- 500-1200mm door width
- 18-32mm door thickness
- Door height ≤2500mm



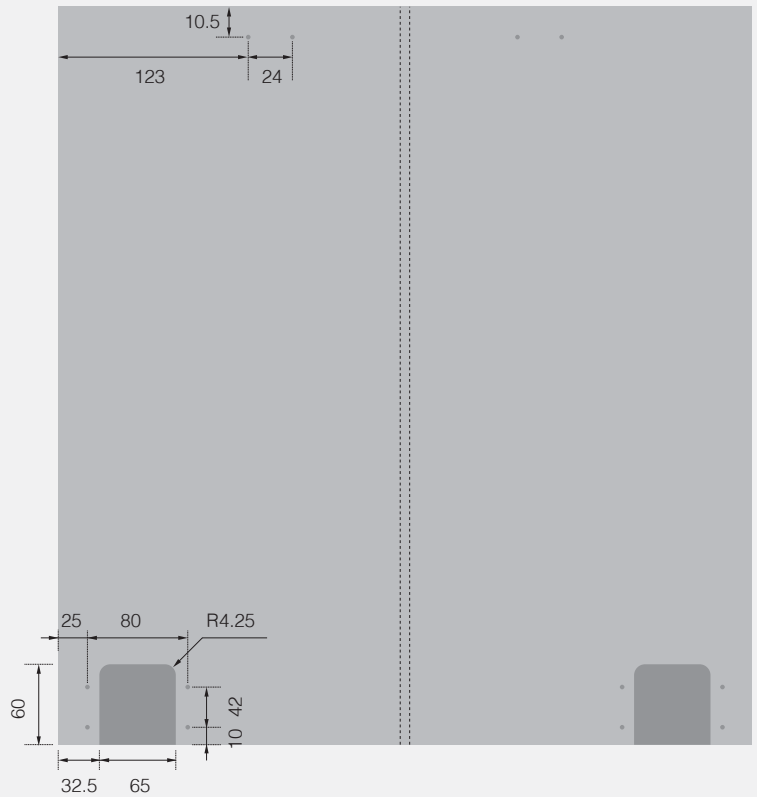
	Item	Quantity (2 doors)	Quantity (3 doors)
	Upper left runner	2 pcs	3 pcs
	Upper right runner	2 pcs	3 pcs
	Lower runner	4 pcs	6 pcs
	Damper	4 pcs	4 pcs
	Fixing accessories	1 pc	1 pc
	ST4x16 screw	16 pcs	24 pcs
	ST4x14 screw	12 pcs	18 pcs
	ST4x30 screw	8 pcs	8 pcs
Item No.		SWB007-1	SWB007-2

	Item	Item No.	Remark
	Upper and lower rails	SWB07-R20	3000mm length; For 18-20mm door tickness
		SWB07-R25	3000mm length; For 21-25mm door tickness
		SWB07-R32	3000mm length; For 26-32mm door tickness

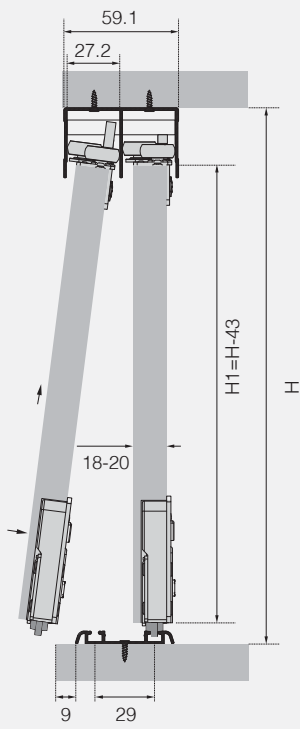
Rail dimension



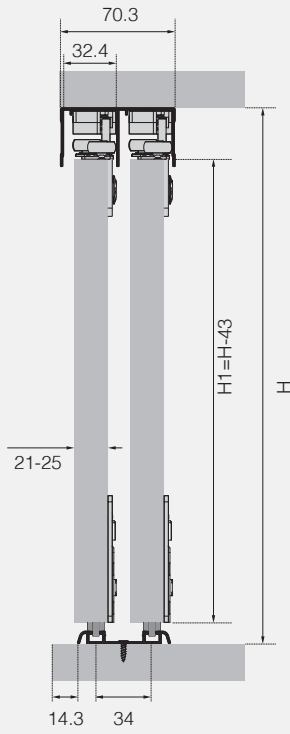
Installation dimension



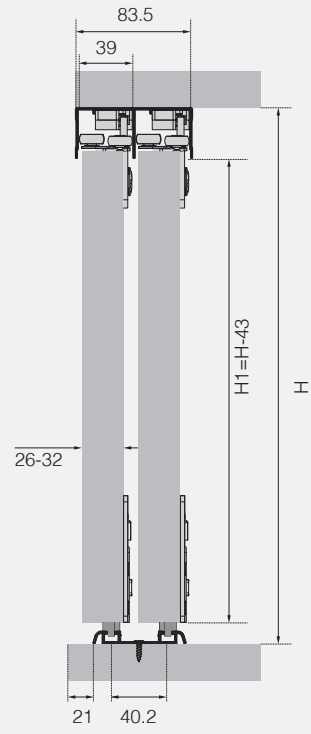
18-20mm Door thickness



21-25mm Door thickness



26-32mm Door thickness



Bottom runner system

SWB008



SW sliding system

Bottom runner sliding system - SWB008



- Bottom runner sliding system
- Surface mounting
- Soft-close system
- 60KG/door loading capacity
- Damper with anti jumping and anti-decoupling
- 500-1200mm door width
- 16-25mm wooden door thickness
- 16-34mm aluminium frame door thickness
- Door height ≤2500mm

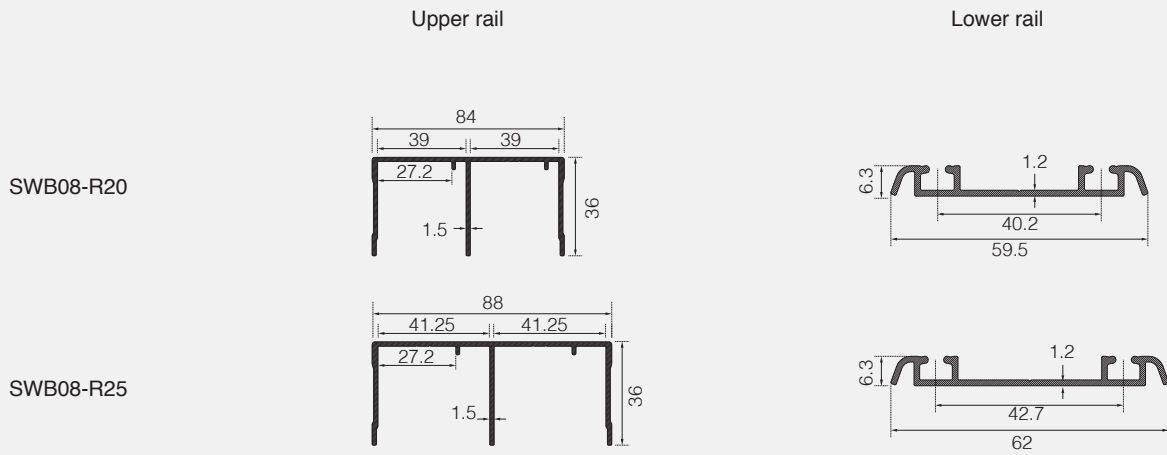


Order information

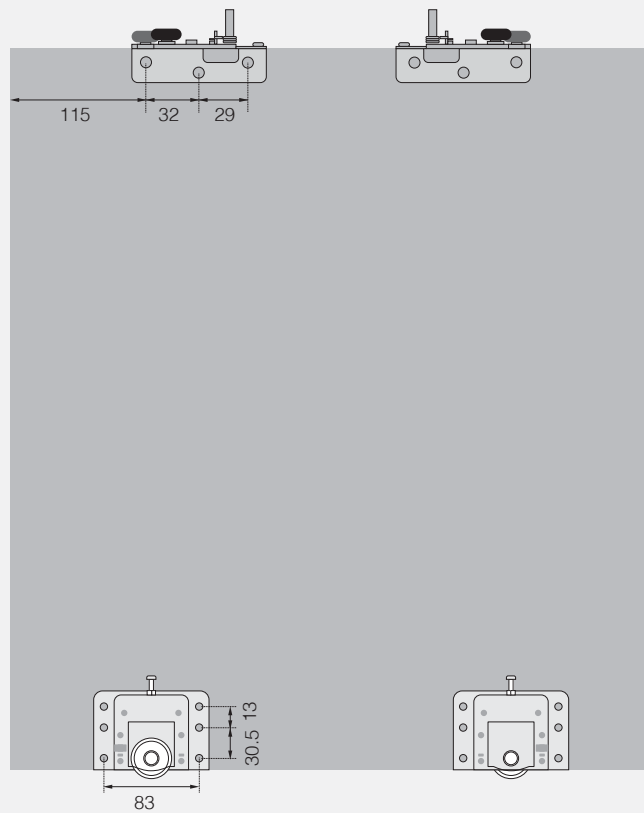
	Item	Quantity (2 doors)	Quantity (3 doors)
	Upper left runner	2 pcs	3 pcs
	Upper right runner	2 pcs	3 pcs
	Lower runner	4 pcs	6 pcs
	Damper	4 pcs	4 pcs
	Fixing accessories	1 pc	1 pc
	Spacer	8 pcs	12 pcs
	ST4x14 screw	32 pcs	48 pcs
	ST4x30 screw	8 pcs	8 pcs
	Item No.	SWB008-1	SWB008-2

	Item	Item No.	Remark
	Upper and lower rails	SWB08-R20	3000mm length; For 16-20mm door tickness
		SWB08-R25	3000mm length; For 21-25mm door tickness

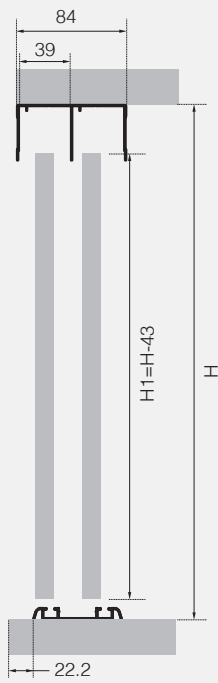
Rail dimension



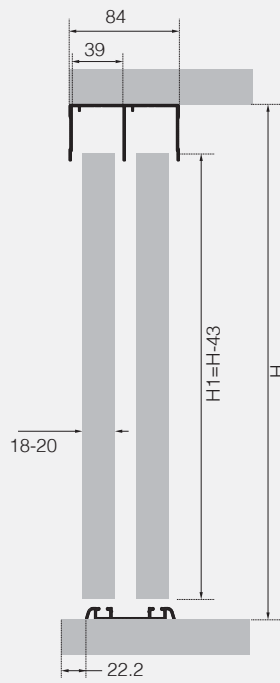
Rail dimension



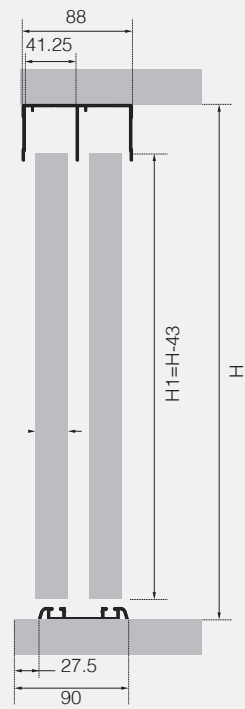
Aluminium frame door



18-20mm Door thickness



21-25mm Door thickness



* Aluminium frame door only apply SWB08-R20

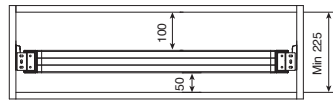
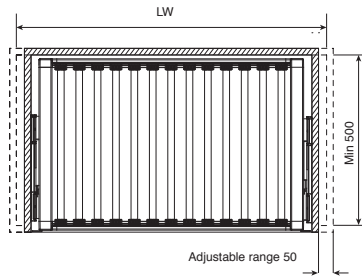
CLOSET SYSTEM SOLUTIONS FROM CEMUX- BW SERIES ALW SERIES





BW wardrobe system

Pull out trouser rack

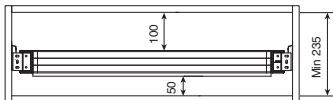
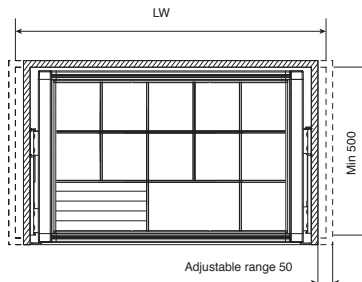


- Colour: Brown
- Material: Aluminum
- Installed internal cabinet depth: ≥ 500 mm
- Package: 1 set

LW	Description	Item No.
864-964	Brown colour	BW-G1101A-1
764-864	Brown colour	BW-G1101B-1
664-764	Brown colour	BW-G1101C-1
564-664	Brown colour	BW-G1101D-1

BW wardrobe system

Pull out jewellery drawer

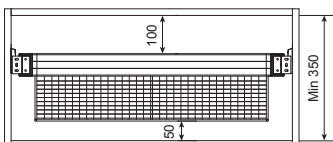
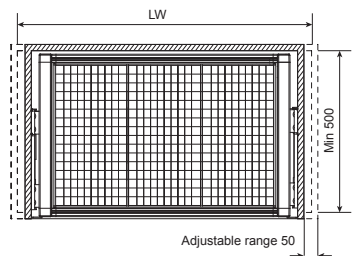


- Colour: Brown
- Material: Aluminum
- Installed internal cabinet height: ≥ 235 mm
- Installed internal cabinet depth: ≥ 500 mm
- Package: 1 set

LW	Description	Item No.
864-964	Brown colour	BW-G1102A-1
764-864	Brown colour	BW-G1102B-1
664-764	Brown colour	BW-G1102C-1
564-664	Brown colour	BW-G1102D-1

BW wardrobe system

Pull out rattan basket

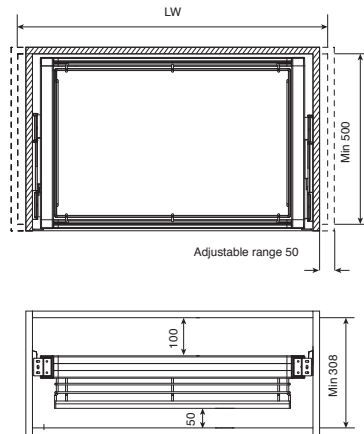


- Colour: Brown
- Material: Aluminum
- Installed internal cabinet height: ≥ 308 mm
- Installed internal cabinet depth: ≥ 500 mm
- Package: 1 set

LW	Description	Item No.
864-964	Brown colour	BW-G1103A-1
764-864	Brown colour	BW-G1103B-1
664-764	Brown colour	BW-G1103C-1
564-664	Brown colour	BW-G1103D-1

BW wardrobe system

Pull out basket

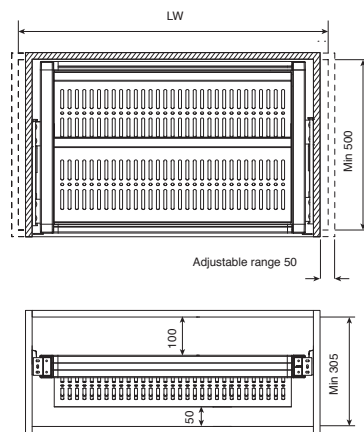


- Colour: Brown
- Material: Aluminum
- Installed internal cabinet height: ≥ 308 mm
- Installed internal cabinet depth: ≥ 500 mm
- Package: 1 set

LW	Description	Item No.
864-964	Brown colour	BW-G1104A-1
764-864	Brown colour	BW-G1104B-1
664-764	Brown colour	BW-G1104C-1
564-664	Brown colour	BW-G1104D-1

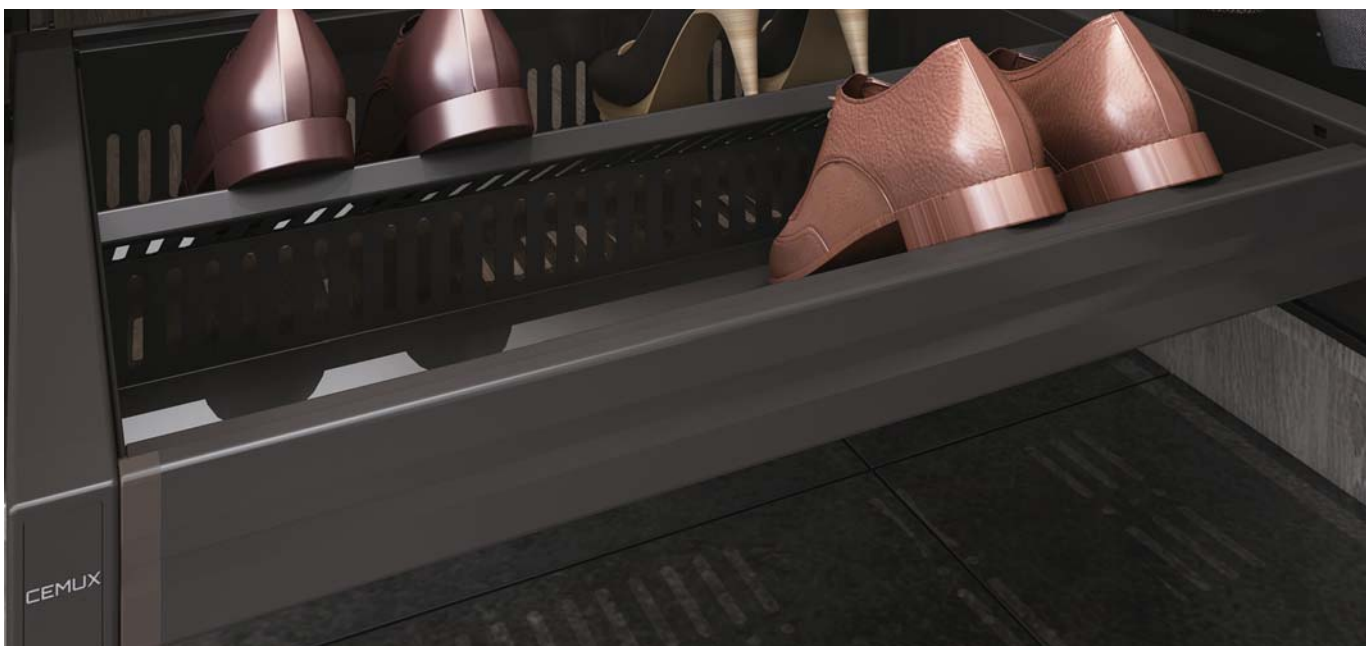
BW wardrobe system

Pull out shoe rack



- Colour: Brown
- Material: Aluminum
- Installed internal cabinet height: ≥ 305 mm
- Installed internal cabinet depth: ≥ 500 mm
- Package: 1 set

LW	Description	Item No.
864-964	Brown colour	BW-G1105A-1
764-864	Brown colour	BW-G1105B-1
664-764	Brown colour	BW-G1105C-1
564-664	Brown colour	BW-G1105D-1



BW wardrobe system

Rotating shoe rack

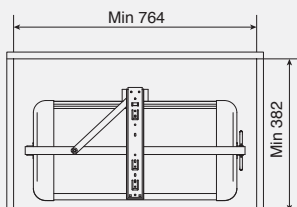


- Colour: Brown
- Material: Aluminum
- Internal cabinet width: ≥ 764 mm
- Installed internal cabinet height: 1910-2110 mm; 1360-1560mm
- Installed internal cabinet depth: ≥ 382 mm
- Package: 1 set
 Frame/carton
 Shoe rack/carton
 Slide/carton

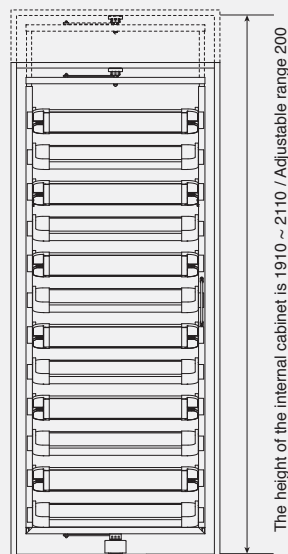
LW	Description	Item No.
764	Brown colour, 12 layers	BW-G503A-1
764	Brown colour, 8 layers	BW-G503B-1



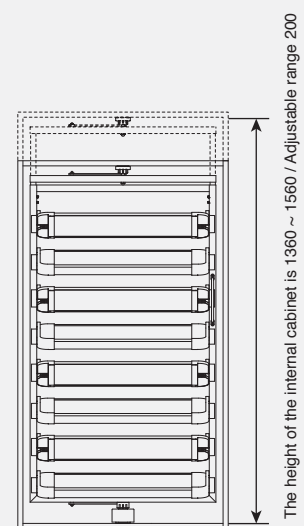
Top view



12 layer front view

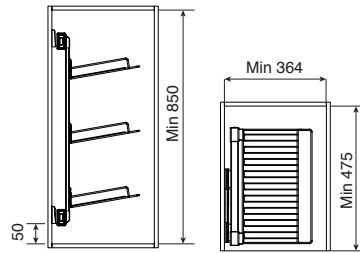


8 layer front view



BW wardrobe system

Side pull-out shoe rack

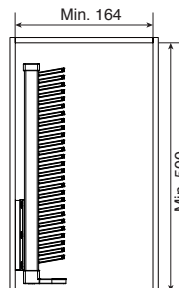


- Colour: Brown
- Material: Aluminum
- Internal cabinet width: ≥ 364 mm
- Installed internal cabinet height: ≥ 850 mm
- Installed internal cabinet depth: ≥ 475 mm
- Package: 1 set

LW	Description	Item No.
364	Brown colour	BW-G1303-1

BW wardrobe system

Tie rack



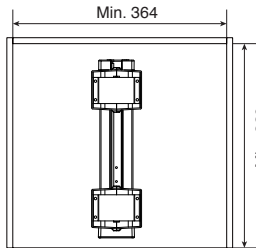
- Colour: Brown
- Material: Aluminum
- Internal cabinet width: ≥ 164 mm
- Installed internal cabinet height: ≥ 500 mm
- Installed internal cabinet depth: ≥ 500 mm
- Package: 1 set

LW	Description	Item No.
164	Brown colour	BW-G1305B-1



BW wardrobe system

Pull out clothes rack



- Colour: Brown
- Material: Aluminum
- Internal cabinet width: ≥ 364 mm
- Installed internal cabinet height: ≥ 1100 mm
- Installed internal cabinet depth: ≥ 320 mm
- Package: 1 set

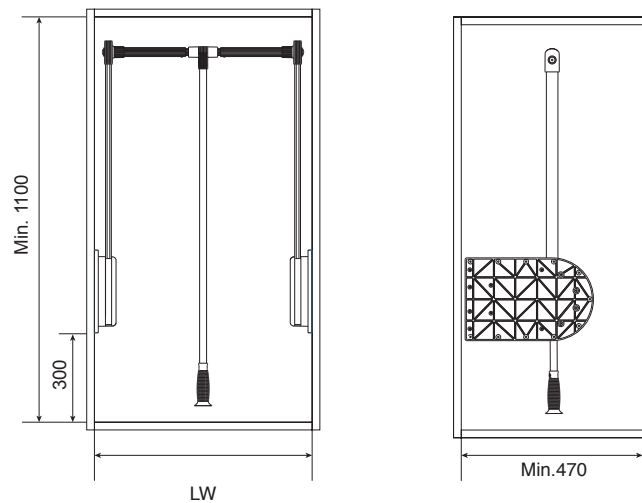
LW	Description	Item No.
364	Brown colour	BW-G1403B-1

BW wardrobe system

Clothes lifter - soft close



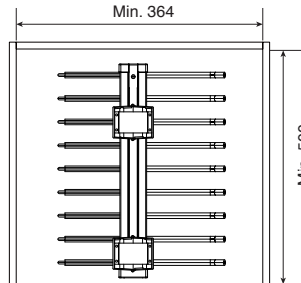
- Colour: Brown
- Material: Aluminum
- Cabinet width: 770-1150mm; 620-830mm
- Installed internal cabinet height: ≥ 1100 mm
- Installed internal cabinet depth: ≥ 470 mm
- Package: 1 set



LW	Product dimensions	Description	Item No.
770-1150	734-1114*333*945mm	Brown colour	BW-G02A-1
620-830	584-794*333*945mm	Brown colour	BW-G02B-1

BW wardrobe system

V type top-mount trouser rack

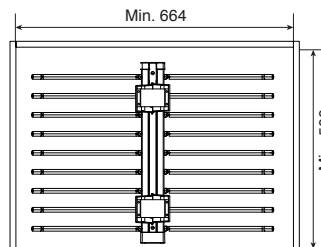


- Colour: Brown
- Material: Aluminum
- Internal cabinet width: ≥ 364 mm
- Installed internal cabinet height: ≥ 700 mm
- Installed internal cabinet depth: ≥ 500 mm
- Package: 1 set

LW	Description	Item No.
364	Brown colour	BW-G1402-1

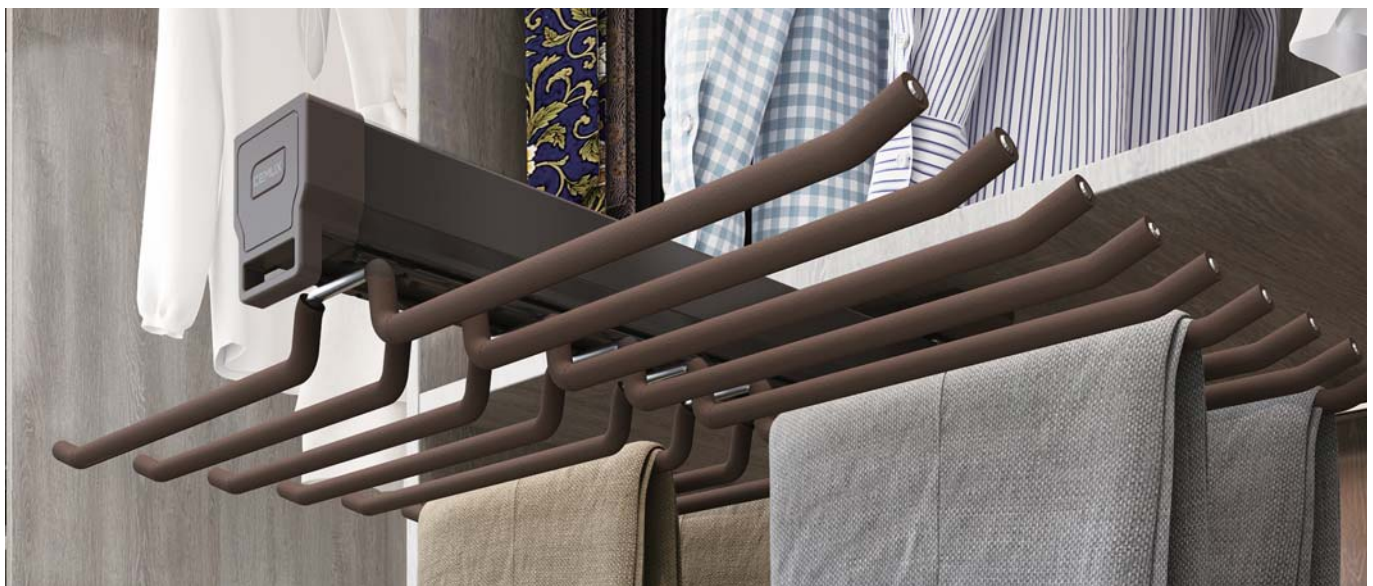
BW wardrobe system

Dual top-mount trouser rack



- Colour: Brown
- Material: Aluminum
- Internal cabinet width: ≥ 664 mm
- Installed internal cabinet height: ≥ 700 mm
- Installed internal cabinet depth: ≥ 500 mm
- Package: 1 set

LW	Description	Item No.
664	Brown colour	BW-G1401-1



ALW wardrobe system

Overview



“Elegance and New style”

The product material uses high-strength magnesium-aluminum alloy frame, which is strong and durable. The appearance is simple and stylish.

You can customize your wardrobe according to your preference.

Leather



Red

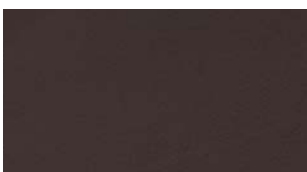


Grey



Orange

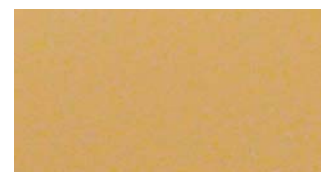
Aluminum Alloy Frame Finish



Brown (Oxidize)



Grey (Spray)



Gold (Oxidize)

ALW wardrobe system

Pull out trouser rack



- Colour: Brown
- Material: Aluminum
- Installed internal cabinet height: ≥225 mm
- Installed internal cabinet depth: ≥500 mm
- Width adjustment: 15mm
- Package: 1 set

LW	Description	Item No.
864	Brown colour	ALW-0016B
764	Brown colour	ALW-0017B
664	Brown colour	ALW-0018B
564	Brown colour	ALW-0019B

ALW wardrobe system

Pull out multifunctional basket



- Colour: Brown
- Material: Aluminum
- Installed internal cabinet depth: ≥500 mm
- Width adjustment: 15mm
- Package: 1 set

LW	Description	Item No.
864	Brown colour	ALW-0026B
764	Brown colour	ALW-0027B
664	Brown colour	ALW-0028B
564	Brown colour	ALW-0029B

ALW wardrobe system

Pull out H50 drawer basket



- Colour: Brown
- Material: Aluminum
- Installed internal cabinet depth: ≥500 mm
- Width adjustment: 15mm
- Package: 1 set

LW	Description	Item No.
864	Brown colour	ALW-0036B
764	Brown colour	ALW-0037B
664	Brown colour	ALW-0038B
564	Brown colour	ALW-0039B

ALW wardrobe system

Pull out H160 drawer basket



- Colour: Brown
- Material: Aluminum
- Installed internal cabinet depth: ≥ 500 mm
- Width adjustment: 15mm
- Package: 1 set

LW	Description	Item No.
864	Brown colour	ALW-0046B
764	Brown colour	ALW-0047B
664	Brown colour	ALW-0048B
564	Brown colour	ALW-0049B

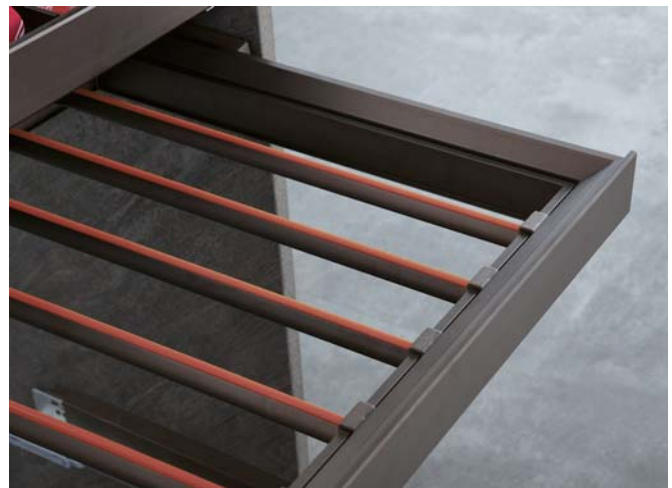
ALW wardrobe system

Pull out multifunctional basket with box



- Colour: Brown
- Material: Aluminum
- Installed internal cabinet depth: ≥ 500 mm
- Width adjustment: 15mm
- Package: 1 set

LW	Description	Item No.
864	Brown colour	ALW-0056B
764	Brown colour	ALW-0057B
664	Brown colour	ALW-0058B
564	Brown colour	ALW-0059B



ALW wardrobe system

Side pull-out storage basket



- Colour: Brown
- Material: Aluminum
- Installed internal cabinet depth: ≥ 500 mm
- Package: 1 set

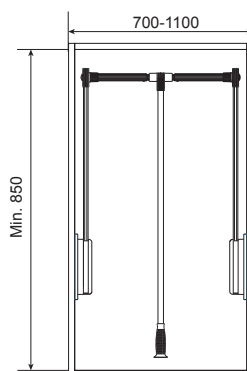
Layer	Description	Item No.
2 layers	Brown colour, Left side	ALW-0162B
2 layers	Brown colour, Right side	ALW-0262B
3 layers	Brown colour, Left side	ALW-0163B
3 layers	Brown colour, Right side	ALW-0263B

ALW wardrobe system

Clothes lifter - soft close



- Colour: Brown
- Material: Aluminum
- Installed internal cabinet depth: ≥ 470 mm
- Installed internal cabinet height: ≥ 800 mm
- Internal cabinet width: 664-1064mm
- Package: 1 set



Product dimensions	Description	Item No.
664-1064*135*700mm	Brown colour	ALW-0101B

ALW wardrobe system

Pull out clothes rack



- Colour: Brown
- Material: Aluminum
- Installed internal cabinet depth: ≥ 450 mm/320mm
- Installed internal cabinet height: ≥ 1100 mm
- Internal cabinet width: ≥ 364 mm
- Package: 1 set

Product dimensions	Description	Item No.
70*430*125mm	Brown colour	ALW-0071B
70*285*125mm	Brown colour	ALW-0072B

ALW wardrobe system

V type top-mount trouser rack



- Colour: Brown
- Material: Aluminum
- Installed internal cabinet depth: ≥ 450 mm
- Installed internal cabinet height: ≥ 700 mm
- Internal cabinet width: ≥ 364 mm
- Package: 1 set

Product dimensions	Description	Item No.
350*430*135mm	Brown colour	ALW-0081B

ALW wardrobe system

Dual top-mount trouser rack



- Colour: Brown
- Material: Aluminum
- Installed internal cabinet depth: ≥ 450 mm
- Installed internal cabinet height: ≥ 700 mm
- Internal cabinet width: ≥ 564 mm
- Package: 1 set

Product dimensions	Description	Item No.
550*430*135mm	Brown colour	ALW-0091B

ALW wardrobe system

Rotating shoe rack



- Colour: Brown
- Material: Aluminum
- Installed internal cabinet depth: ≥ 564 mm
- Installed internal cabinet height: ≥ 900 mm
- Internal cabinet width: ≥ 764 mm
- Height adjustment: 200mm
- Package: 1 set



Layers	Product dimensions	Description	Item No.
6	705*360*1155-1255mm	Brown colour	ALW-0111B
7	705*360*1290-1390mm	Brown colour	ALW-0112B
8	705*360*1425-1525mm	Brown colour	ALW-0113B
9	705*360*1560-1660mm	Brown colour	ALW-0114B
10	705*360*1695-1795mm	Brown colour	ALW-0115B
11	705*360*1830-1930mm	Brown colour	ALW-0116B
12	705*360*1965-2065mm	Brown colour	ALW-0117B

ALW wardrobe system

Corner- 3 layers storage basket



- Colour: Brown
- Material: Aluminum
- Installed internal cabinet depth: $\geq 370\text{mm}$
- Internal cabinet width: $\geq 764\text{mm}$
- Package: 1 set

Product dimensions	Description	Item No.
700*700*900-1100mm	Brown colour	ALW-C0021B

ALW wardrobe system

Corner- 2 layers storage basket



- Colour: Brown
- Material: Aluminum
- Installed internal cabinet depth: $\geq 564\text{ mm}$
- Installed internal cabinet height: $\geq 900\text{ mm}$
- Internal cabinet width: $\geq 764\text{mm}$
- Package: 1 set

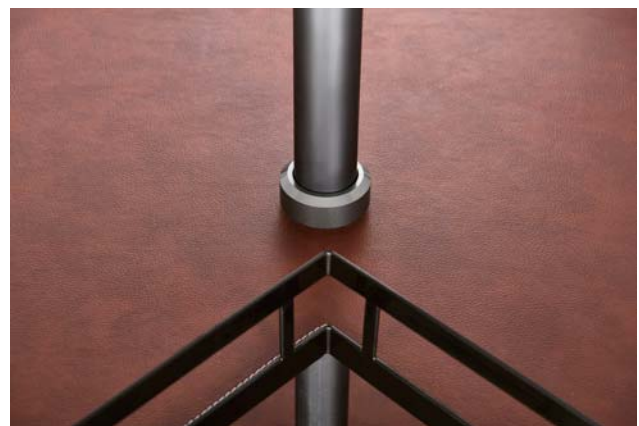
Product dimensions	Description	Item No.
700*700*1005mm	Brown colour	ALW-C0031B

ALW wardrobe system

Corner- 4 layers storage basket



- Colour: Brown
- Material: Aluminum
- Installed internal cabinet depth: ≥ 564 mm
- Installed internal cabinet height: ≥ 1900 mm
- Internal cabinet width: ≥ 764 mm
- Height adjustment: 200mm
- Package: 1 set




Order information

Product dimensions	Description	Item No.
700*700*1900-2100mm	Brown colour	ALW-C0011B

For more information, please visit CEMUX.CO.UK
or contact us email CEMUX@CEMUX.CO.UK

CEMUX
LIVE YOUR LIFE

CEMUX TECHNOLOGY LTD


Kilkeary,
Nenagh,
Co. Tipperary
Ireland
Tel: 00353 67 31471