

# FLUSH SLIDING DOOR SYSTEM

Flush sliding door catalogue

---



## SW sliding system

In line sliding system - SWL001



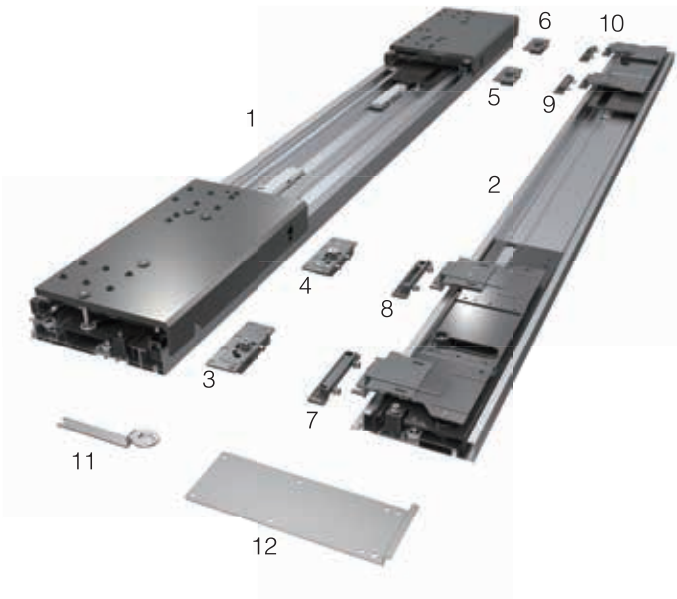
**“Flush design of sliding door  
for big cabinet ”**

# “Flexible cabinet width and efficient installation ”



## SW sliding system

In line sliding system - SWL001



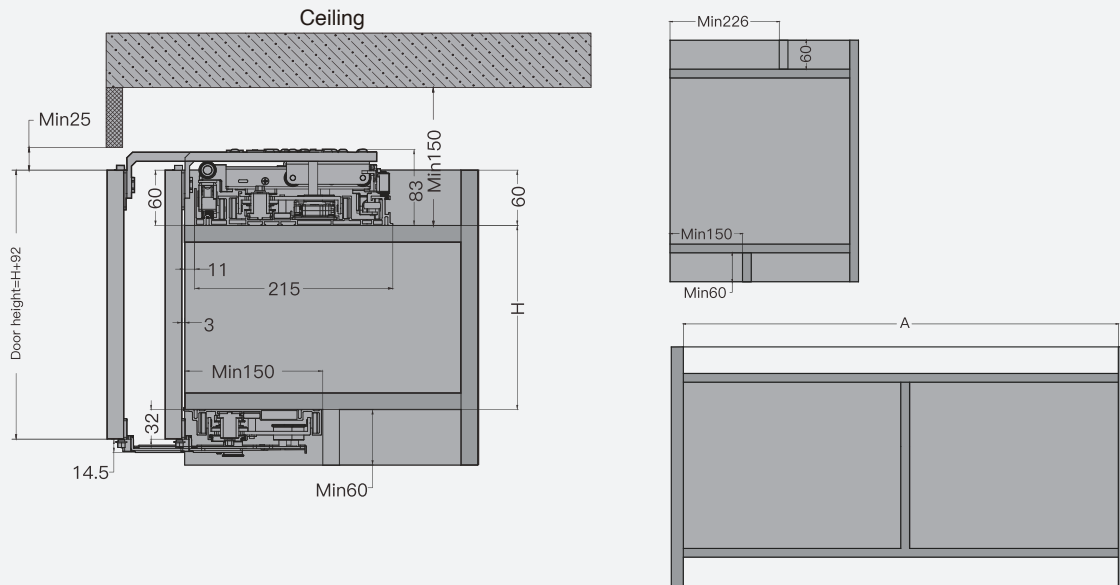
- In line sliding system
- Door height  $\leq 2400\text{mm}$
- Soft-close system
- 80KG single door loading capacity
- Damper with anti jumping and anti-decoupling
- 45mm door thickness



	Item	Quantity (2 doors)
1	Top track	1 pc
2	Bottom track	1 pc
3 & 6	Top runner side regulator	2 pcs
4 & 5	Top runner middle regulator	2 pcs
7 & 10	Bottom runner side regulator	2 pcs
8 & 9	Bottom runner middle regulator	2 pcs
11	Spanner	1 pc
12	Drill position template	1 pc

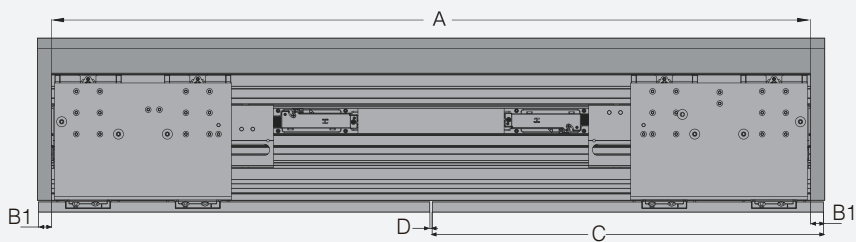
Item No.	Internal cabinet width	Track length	Remark
SWL001-1	1350-1650mm	1350-1650mm	Cut freely within the range
SWL001-2	1651-2050mm	1651-2050mm	Cut freely within the range
SWL001-3	2051-2450mm	2051-2450mm	Cut freely within the range
SWL001-4	2451-2850mm	2451-2850mm	Cut freely within the range

## Cabinet requirements



## Door dimension

\*Door overlay



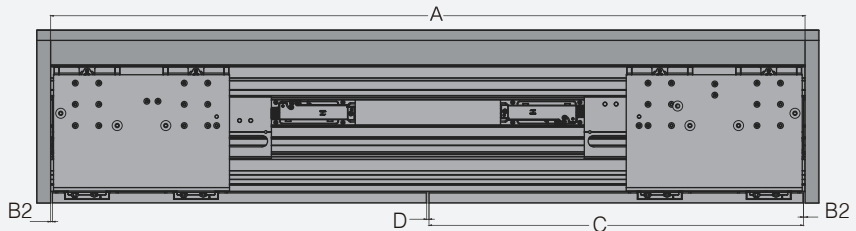
Door thickness (Handle include)  $\leq 45\text{mm}$

Door height  $\leq 2400\text{mm}$

Door overlay width =  $(A+2 \times B1-D)/2$

Door inset width =  $(A-2 \times B2-D)/2$

\*Door inset



A = Internal cabinet width

B1 = Cover side panel width

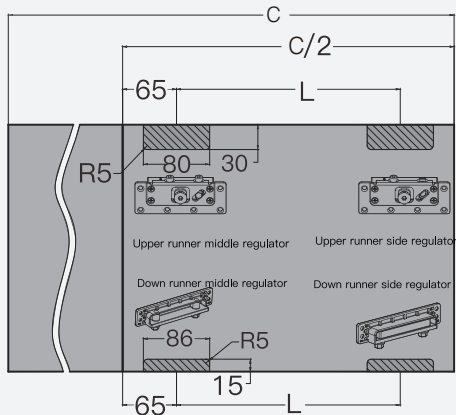
B2 = Gap of door and side panel

C = Door width

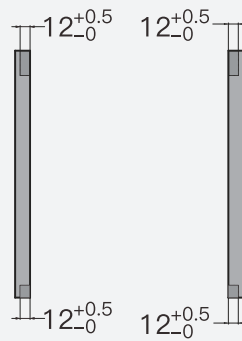
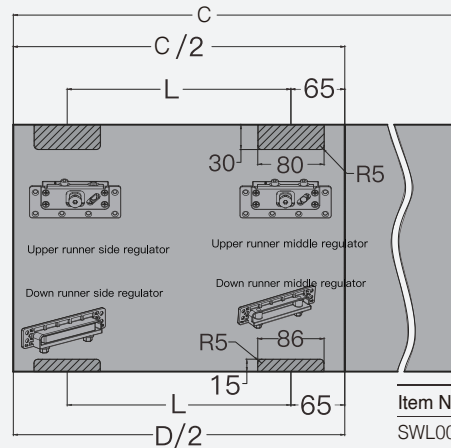
D = Gap of door  $\geq 4\text{mm}$

## Door installation

Left door



Right door



Item No.	L
SWL001-1	195
SWL001-2	270
SWL001-3	370
SWL001-4	470

SW sliding system

In line sliding system - SWL002

## “Common system for top and bottom cabinet”

For hanging or base cabinet solution, one hardware system can be applied.

Minimal design to make your cabinet more elegant.





## “Convenient operation with 100% door opening”

Flush design of sliding solution without handles or flexible handle design.

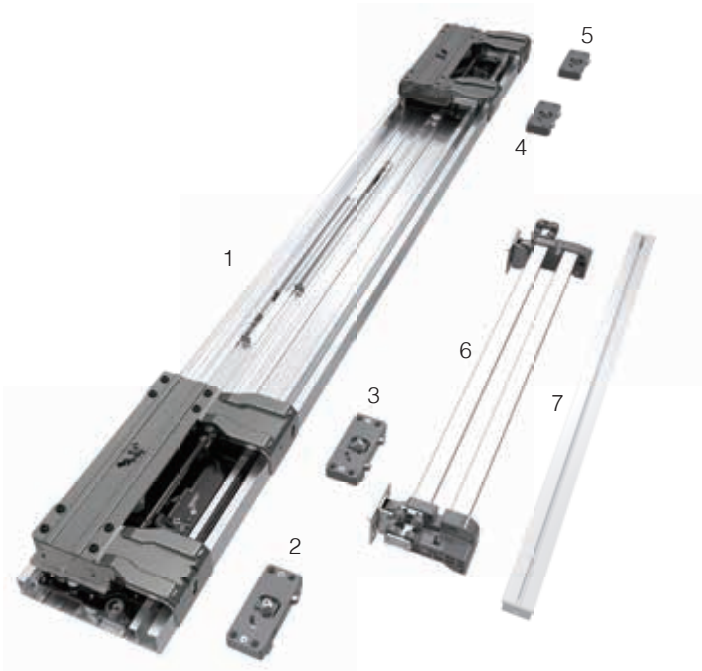
Easy installation with pre-mounted running system.

Adjustment with easy operation.



## SW sliding system

In line sliding system - SWL002



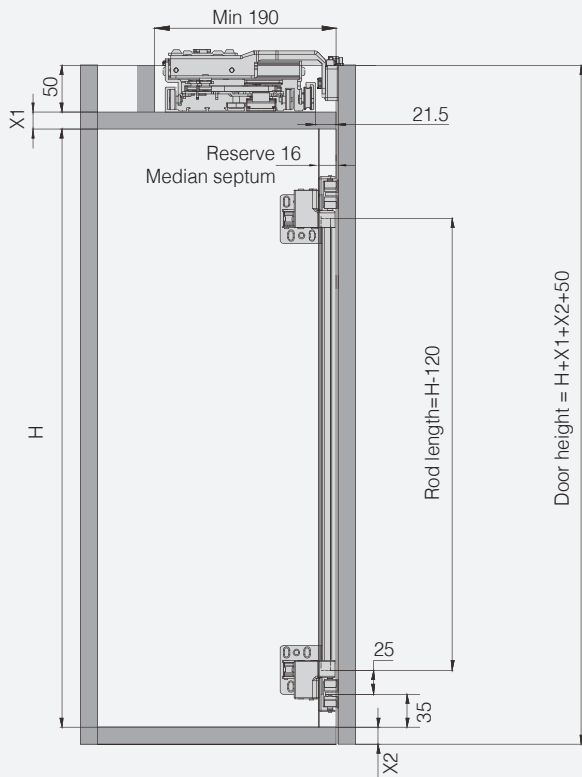
- For hanging cabinet or base cabinet
- In line sliding system
- Door height  $\leq 1000/1500\text{mm}$
- Soft-close system
- 20KG single door loading capacity
- Damper with anti jumping and anti-decoupling
- 1150-1750/1751-2350mm internal cabinet width
- 15-22mm door thickness



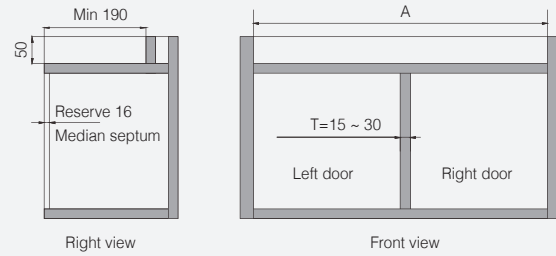
	Item	Quantity (2 doors)
1	Track	1 pc
2	Left door side regulator	1 pc
3	Left door middle regulator	1 pc
4	Right door middle regulator	1 pc
5	Right door side regulator	1 pc
6	Connecting rod	2 pcs
7	Door rail	4 pcs

Item No.	Internal cabinet width	Door width (Cover side panel 22mm)	Door height
SWL002-1	1150-1750mm	600-900mm	$\leq 1000\text{mm}$
SWL002-2	1751-2350mm	900-1200mm	$\leq 1500\text{mm}$

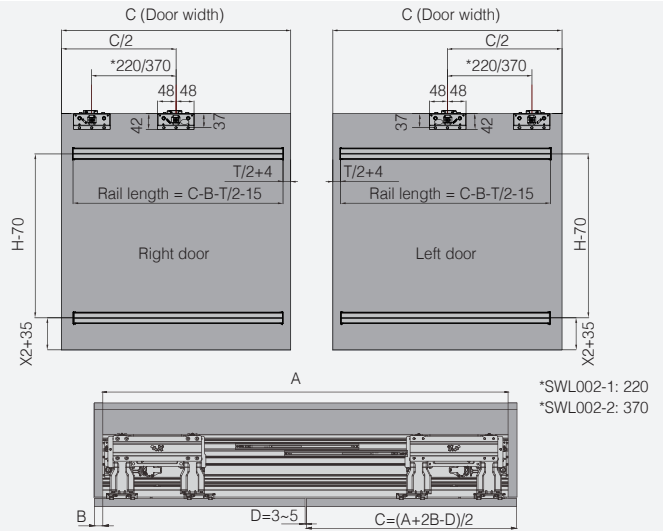
## Hanging cabinet installation



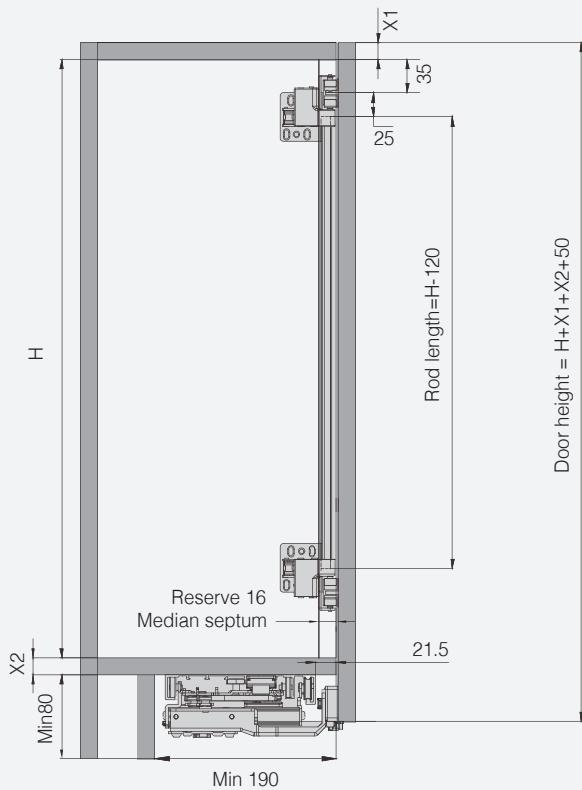
## Cabinet requirements



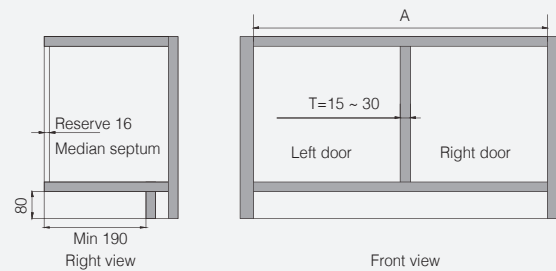
## Door dimension



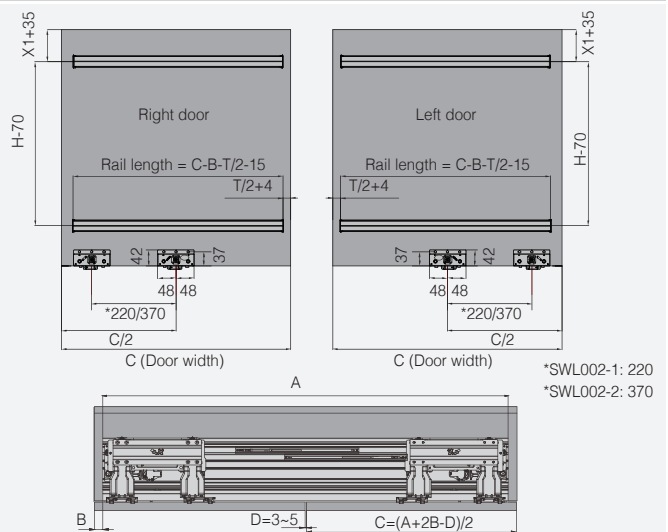
## Base cabinet installation



## Cabinet requirements



## Door dimension





For more information, please visit [CEMUX.COM](http://CEMUX.COM)  
or contact us email [CEMUX@CEMUX.CO.UK](mailto:CEMUX@CEMUX.CO.UK)

**CEMUX**  
LIVE YOUR LIFE

CEMUX TECHNOLOGY LTD

  
Kilkeary,  
Nenagh,  
Co. Tipperary  
Ireland  
Tel: 00353 67 31471