

LIGHTING SYSTEM FOR YOUR CABINET - CELUX

CELUX illumination catalogue



“Innovation of LED Strip ”

The solder free LED Connection Kit addresses the existing challenges in LED strip installation and replacement.

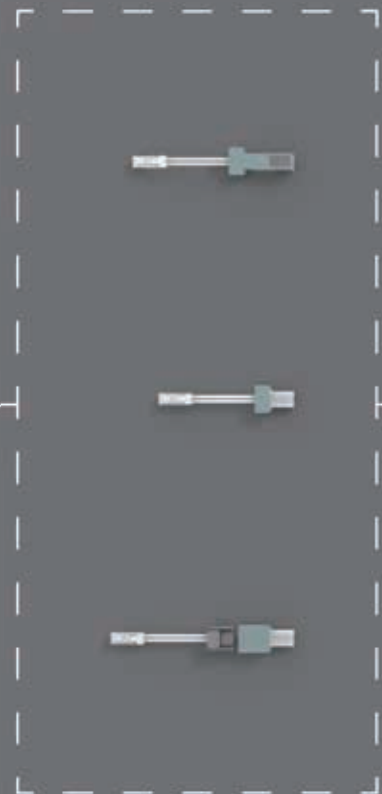
It has emerged as an ideal solution for experts due to its convenient and straightforward assembly process. With the seamless copper LED strip, resizing the product is achieved without the need for soldering or complex assembly, conserving both time and effort and streamlining LED installation and replacement.

1. The kit comes pre-assembled, including the profile, LED, and cover.
2. It can be trimmed to any preferred length without concerning about specific cutting locations.
3. The connection is established via a connector, eliminating the necessity for soldering.
4. The strip is evenly lit within the profile from start to finish, with no light loss at the extremities.

Supplying

Drivers in 15W; 20W; 30W; 60W

Easy connector



**Recess mount
LED strip
system**

**Easy Conn
End Caps**

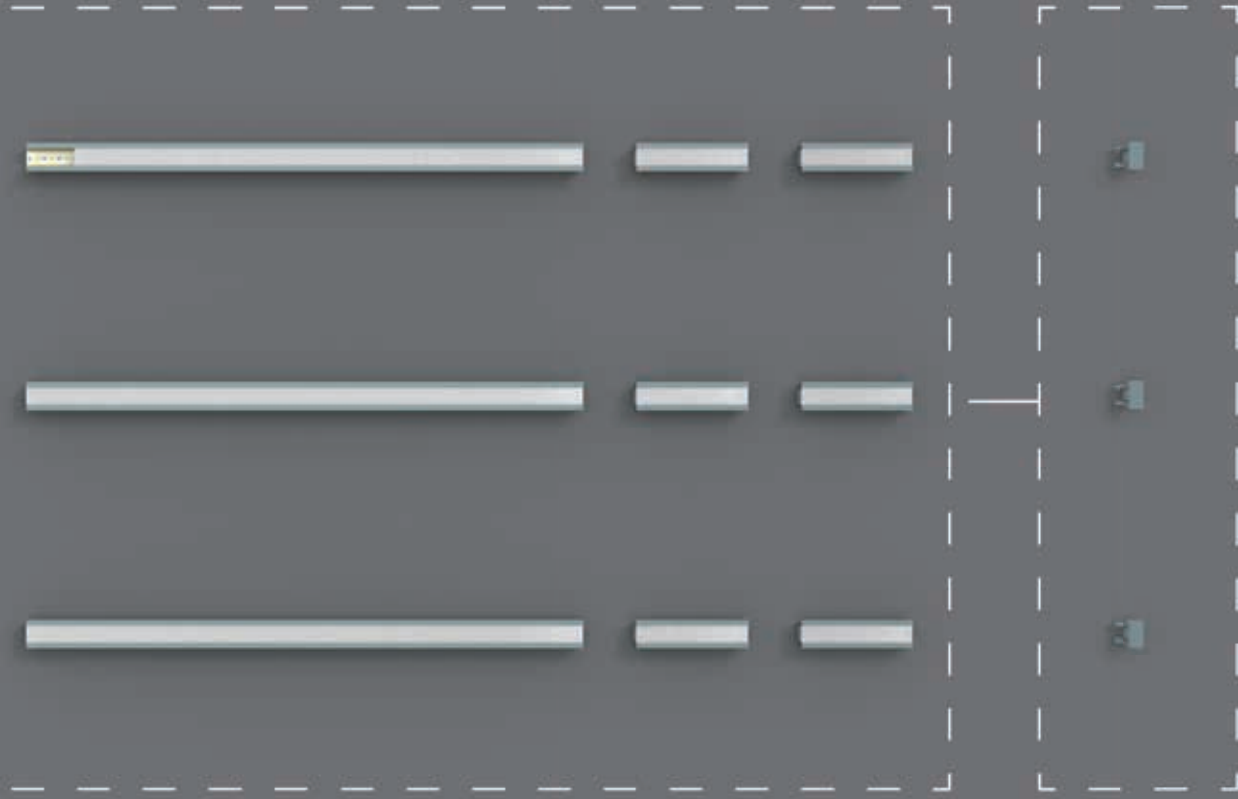
Touch dimmer sensor & E
Movement sensor & Easy
Easy connector & End ca
Easy connector & End ca

LED Profile System

Pre-installed: LED Strip & Alu. Profile & Diffuser

3000K/4000K/6500K

Cut in any length



ector

End
Caps

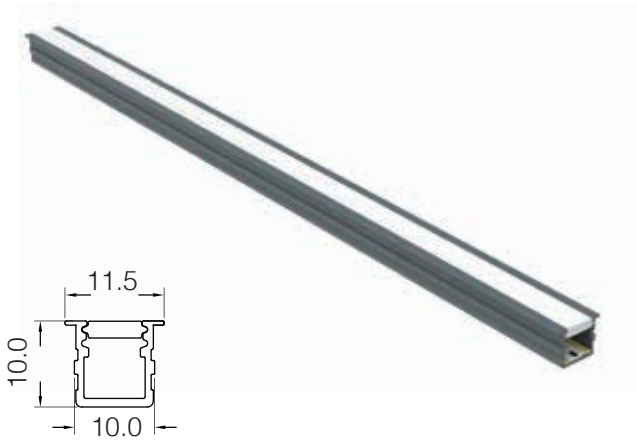
asy connector & End caps

connector & End caps

(Free click)

Strip Light System - SLS01

Recessed solder-free strip profile light system



Power supply: 12V

Wattage: 7.5W/M

IP rating: IP20

150 PCS 2025 LED/M

Colour appearance: 3000K/4000K/6500K

Lumimous flux: 153LM/M

Lumimous efficiency: 20.5LM/W

Colour rendering index: ≥ 90

Recessed mounted with bracket

Order information

LED strip light system

3000mm length - Pre-install LED Strip & Alu. Profile & Diffuser

CCT	Iron grey	Anthracite grey
3000	SLS013030G	SLS013030A
4000	SLS014030G	SLS014030A
6500	SLS016530G	SLS016530A



LED strip light system

Brackets-10PCS

	Stainless steel
	SLS01AB01S

Strip Light System sensor switches - SLS01

Integrated - Touch dimmer sensor/Movement sensor



Order information

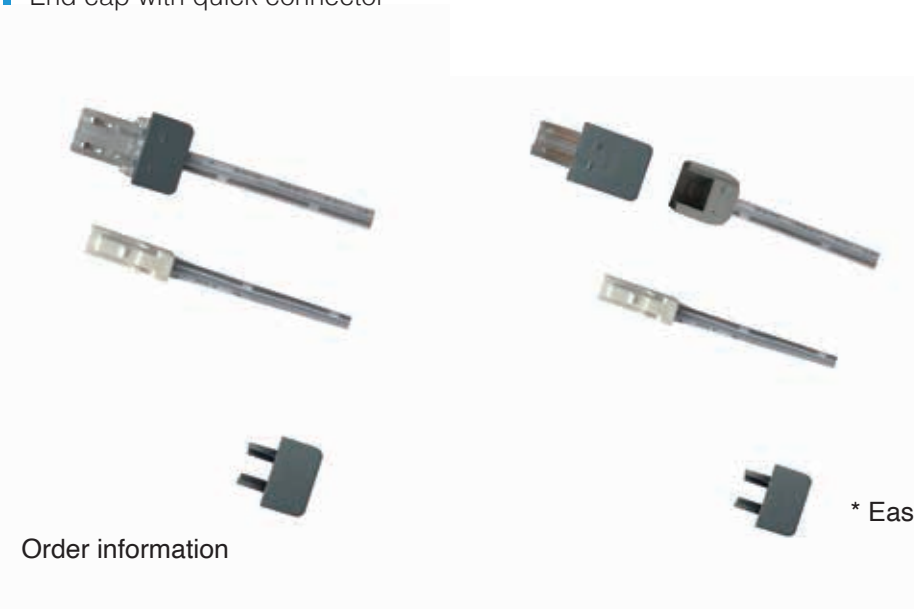
SLS01 intergrated sensor kit

Sensor with 1.5m quick connector & End cap

Sensor	Iron grey	Anthracite grey
Touch dimmer	SLS01AS01G	SLS01AS01A
Movement	SLS01AS02G	SLS01AS02A

Strip Light System end cap - SLS01

End cap with quick connector



Order information

SLS01 end cap quick connector

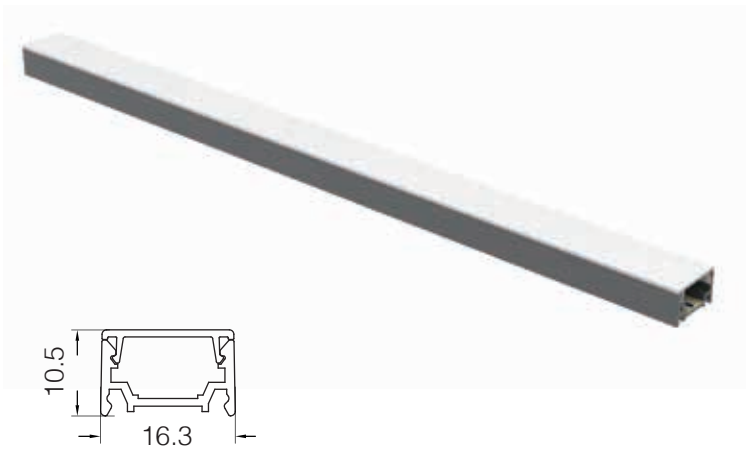
End cap with 1.5m quick connector & End cap

End cap	Iron grey	Anthracite grey
	SLS01AE01G	SLS01AE01G
Easy movement	SLS01AE02G	SLS01AE02G

* Easy movement

Strip Light System - SLS02

Surface solder-free strip profile light system



Power supply: 12V

Wattage: 7.5W/M

IP rating: IP20

150 PCS 2025 LED/M

Colour appearance: 3000K/4000K/6500K

Lumimous flux: 153LM/M

Lumimous efficiency: 20.5LM/W

Colour rendering index: ≥ 90

Surface mounted with bracket

Order information

LED strip light system

3000mm length - Pre-install LED Strip & Alu. Profile & Diffuser

CCT	Iron grey	Anthracite grey
3000	SLS023030G	SLS023030A
4000	SLS024030G	SLS024030A
6500	SLS026530G	SLS026530A



LED strip light system

Brackets-10PCS

	Stainless steel
	SLS02AB01S

Strip Light System sensor switches - SLS02

Integrated - Touch dimmer sensor/Movement sensor/PIR sensor



Order information

SLS02 intergrated sensor kit

Sensor with 1.5m quick connector & End cap

Sensor	Iron grey	Anthracite grey
Touch dimmer	SLS02AS01G	SLS02AS01A
Movement	SLS02AS02G	SLS02AS02A
PIR	SLS02AS03G	SLS02AS03A

Strip Light System end cap - SLS02

End cap with quick connector



Order information

SLS02 end cap quick connector

End cap with 1.5m quick connector & End cap

End cap	Iron grey	Anthracite grey
Right side	SLS02AE01G	SLS02AE01A
Left side	SLS02AE02G	SLS02AE02A

Strip Light System middle connector - SLS02

Middle connector



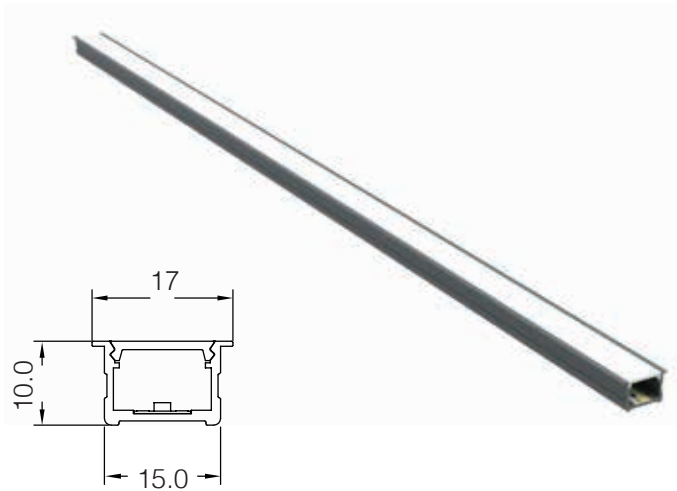
Order information

SLS02 middle connector

Connector	Iron grey	Anthracite grey
	SLS02AM01G	SLS02AM01A
200mm cable	SLS02AM02G	SLS02AM02A

Strip Light System - SLS03

Recessed solder-free strip profile light system



Power supply: 12V

Wattage: 7.5W/M

IP rating: IP20

150 PCS 2025 LED/M

Colour appearance: 3000K/4000K/6500K

Lumimous flux: 153LM/M

Lumimous efficiency: 20.5LM/W

Colour rendering index: ≥ 90

Recessed mounted with bracket

Order information

LED strip light system

3000mm length - Pre-install LED Strip & Alu. Profile & Diffuser

CCT	Iron grey	Anthracite grey
3000	SLS033030G	SLS033030A
4000	SLS034030G	SLS034030A
6500	SLS036530G	SLS036530A



LED strip light system

Brackets-10PCS

	Stainless steel
	SLS03AB01S

Strip Light System sensor switches - SLS03

Integrated - Touch dimmer sensor/Movement sensor/PIR sensor



Order information

SLS03 intergrated sensor kit

Sensor with 1.5m quick connector & End cap

Sensor	Iron grey	Anthracite grey
Touch dimmer	SLS03AS01G	SLS03AS01A
Movement	SLS03AS02G	SLS03AS02A
PIR	SLS03AS03G	SLS03AS03A

Strip Light System end cap - SLS03

End cap with quick connector



Order information

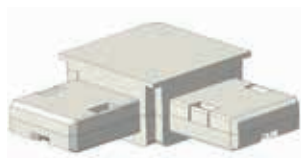
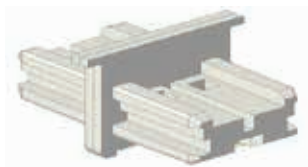
SLS03 end cap quick connector

End cap with 1.5m quick connector & End cap

End cap	Iron grey	Anthracite grey
	SLS03AE01G	SLS03AE01A

Strip Light System connector - SLS03

Middle and L shape connector



Order information

SLS03 middle connector & "L" connector

Connector	Iron grey	Anthracite grey
Middle	SLS03AM01G	SLS03AM01A
L Shape	SLS03AL01G	SLS03AL01A

LED power supply

Easy click driver



Power supply: 12V

Wattage: 15/20/30/60W

Order information

Power	Item No.	Details	Size
15W	LD-G12V15W	4 mini AMP	129x42x16mm
20W	LD-12V20W	4 mini AMP	129x42x16mm
30W	LD-G12V30W	6 mini AMP	160x50x18mm
60W	LD-G12V60W	6 mini AMP	190x62x21mm

For more information, please visit CEMUX.COM
or contact us email INFO@CEMUX.COM

CEMUX
LIVE YOUR LIFE

CEMUX TECHNOLOGY LTD


Kilkeary,
Nenagh,
Co. Tipperary
Ireland
Tel: 00353 67 31471