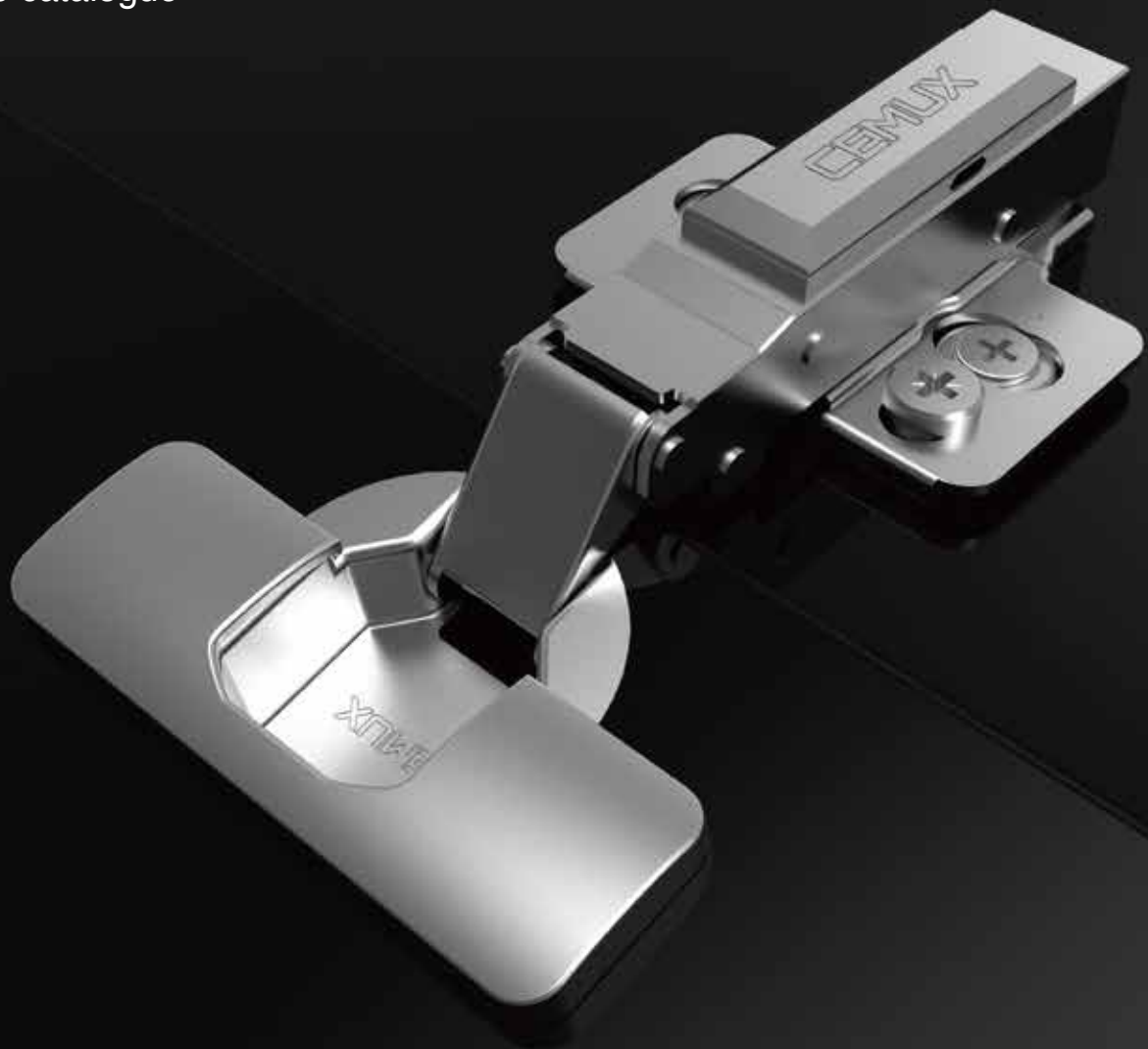


CONCEALED HINGE SYSTEM FROM CEMUX - V HINGE

V Hinge catalogue



“Easy and various way to make perfect movement ”



The combination between technology and design is V hinge system from CEMUX. All hinge can be soft-close and self-close with perfect movement.

CEMUX V hinge system provide wide range of degree for different application, 105°; 165°; 30°; 45°; 90°.

Besides, various assembly are also can be meet different requirements, such as screw-on; euro screw; dowel and press-in.

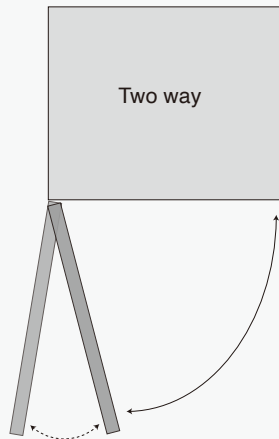


“Versatility; Fast mounting Efficiency”

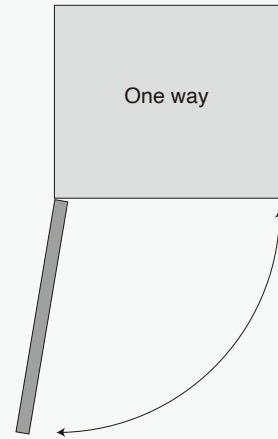
All V hinge system can use the same mounting plates, which means it is easy for customers to choose regard as their needs.

Easy mounting by clip-on is to enhance the efficiency. Anyone can use it in an easy way.

Opening

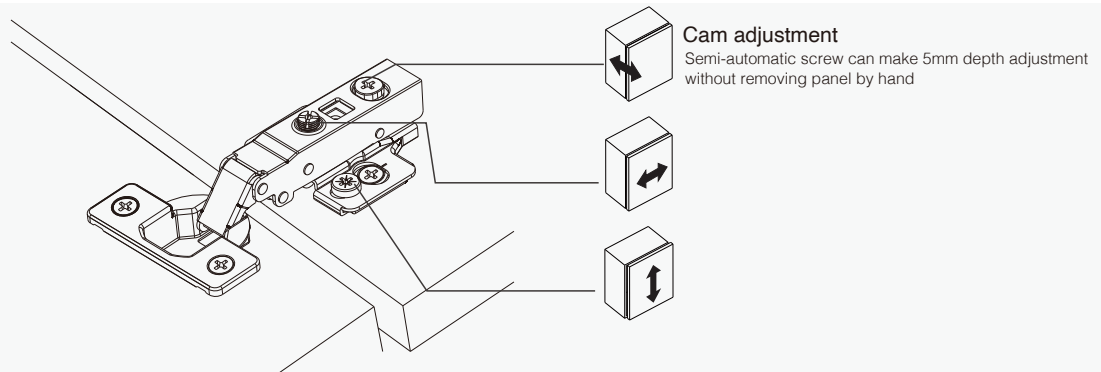


Within a certain range, the door panel can be moved at any position

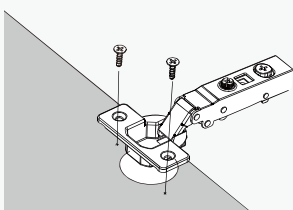


Door panel only can be full open position

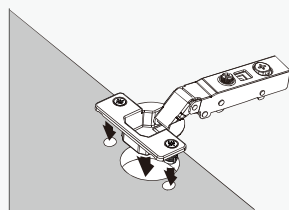
Adjustment



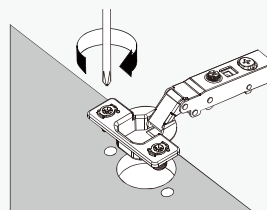
Hinge cup assembly



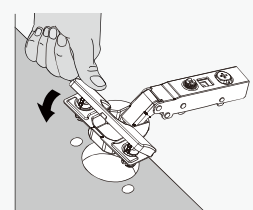
Wooden screw: 4x16mm
Pre-mounted screw: 6.3x14mm



Pre-mounted $\phi 8/10$ mm press in dowel with tool



Pre-mounted $\phi 8/10$ mm expando dowel



8mm expando dowel without tools

Hinge plate assembly



Wooden screw: 4x16mm



Pre-mounted euro screw for holes 5x12mm



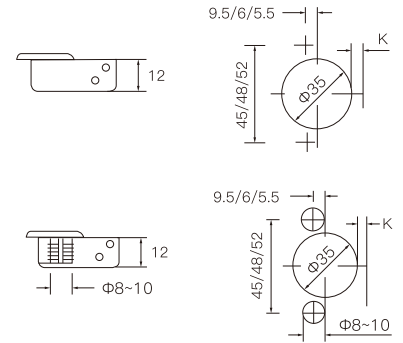
Pre-mounted dowel for holes 5x12mm

V Hinge system

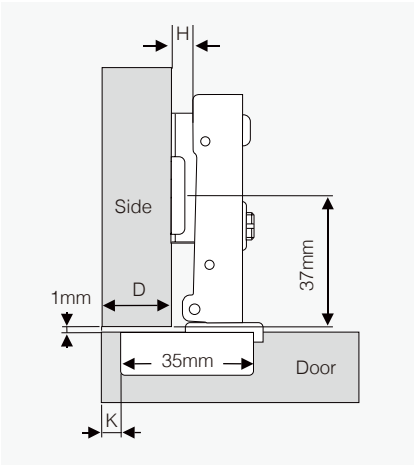
V17-105°; Clip-on; Two way; Cam adjustment; Soft-close



- Installation: Clip-on
- Opening degree: 105°
- Cup diameter: 35mm
- Cup depth: 12mm
- Cup distance: 45/48/52mm
- Door thickness: 14-22mm

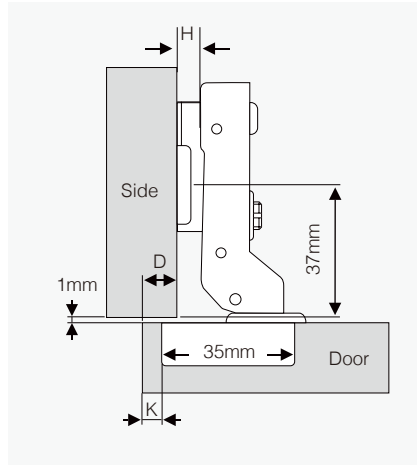


Overlay



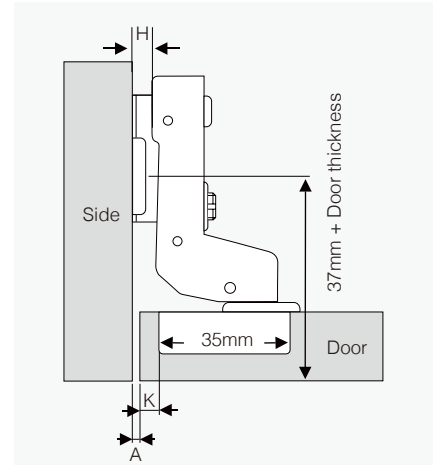
		K-Cup distance				
		3	4	5	6	7
D-Door overlay	21.0					0
	20.0				0	
	19.0			0		2
	18.0		0		2	
	17.0	0		2		4
	16.0		2		4	
	15.0	2		4		
	14.0		4			
	13.0	4				
		H-Mounting plate height				

Half overlay



		K-Cup distance				
		3	4	5	6	7
D-Door overlay	11.0					0
	10.0				0	
	9.0			0		2
	8.0		0		2	
	7.0	0		2		4
	6.0		2		4	
	5.0	2		4		
	4.0		4			
	3.0	4				
		H-Mounting plate height				

Inset



		K-Cup distance				
		3	4	5	6	7
A-Door reveal	5.0	4				
	4.0		4			
	3.0	2		4		
	2.0		2		4	
	1.0	0		2		4
	0.0		0		2	
	-1.0			0		2
	-2.0				0	
	-3.0					0
		H-Mounting plate height				

Cup assembly	Item No.
Screw on	V17A101S
Euro screw	V17A102S
φ8 press-in	V17A103S
φ10 press-in	V17A104S
φ8 expando	V17A105S
φ10 expando	V17A106S
φ8 Impresso	V17A107S
φ10 Impresso	V17A108S

Cup assembly	Item No.
Screw on	V17B101S
Euro screw	V17B102S
φ8 press-in	V17B103S
φ10 press-in	V17B104S
φ8 expando	V17B105S
φ10 expando	V17B106S
φ8 Impresso	V17B107S
φ10 Impresso	V17B108S

Cup assembly	Item No.
Screw on	V17C101S
Euro screw	V17C102S
φ8 press-in	V17C103S
φ10 press-in	V17C104S
φ8 expando	V17C105S
φ10 expando	V17C106S
φ8 Impresso	V17C107S
φ10 Impresso	V17C108S

* Standard cup distance is 45mm; if 48mm, please change code Vxxx1xxx to Vxxx2xxx; 52mm change to Vxxx3xxS

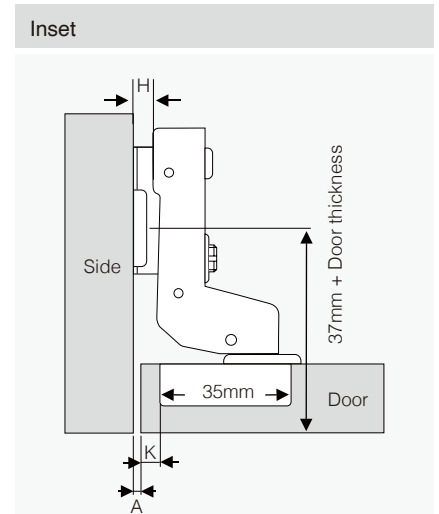
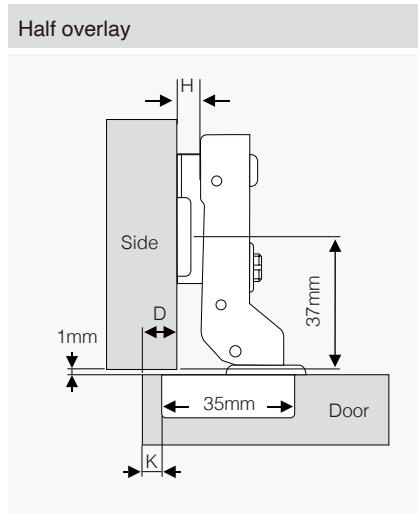
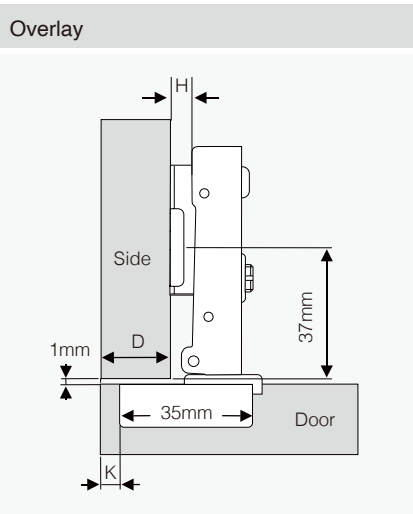
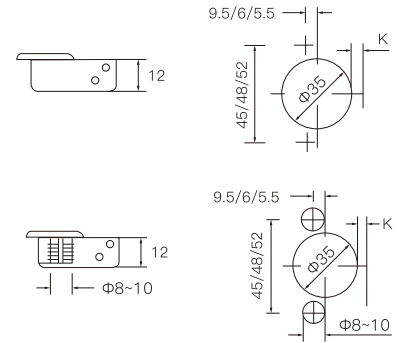
* Non soft-close change code VxxxxxxS to VxxxxxxN

V Hinge system

V18-105°; Clip-on; One way; Cam adjustment; Soft-close



- Installation: Clip-on
- Opening degree: 105°
- Cup diameter: 35mm
- Cup depth: 12mm
- Cup distance: 45/48/52mm
- Door thickness: 14-22mm



		K-Cup distance				
		3	4	5	6	7
D-Door overlay	21.0					0
	20.0				0	
	19.0			0		2
	18.0		0		2	
	17.0	0		2		4
	16.0		2		4	
	15.0	2		4		
	14.0		4			
13.0	4					
		H-Mounting plate height				

		K-Cup distance				
		3	4	5	6	7
D-Door overlay	11.0					0
	10.0				0	
	9.0			0		2
	8.0		0		2	
	7.0	0		2		4
	6.0		2		4	
	5.0	2		4		
	4.0		4			
3.0	4					
		H-Mounting plate height				

		K-Cup distance				
		3	4	5	6	7
A-Door reveal	5.0	4				
	4.0		4			
	3.0	2		4		
	2.0		2		4	
	1.0	0		2		4
	0.0		0		2	
	-1.0			0		2
	-2.0				0	
-3.0					0	
		H-Mounting plate height				

Cup assembly	Item No.
Screw on	V18A101S
Euro screw	V18A102S
φ8 press-in	V18A103S
φ10 press-in	V18A104S
φ8 expando	V18A105S
φ10 expando	V18A106S
φ8 Impresso	V18A107S
φ10 Impresso	V18A108S

Cup assembly	Item No.
Screw on	V18B101S
Euro screw	V18B102S
φ8 press-in	V18B103S
φ10 press-in	V18B104S
φ8 expando	V18B105S
φ10 expando	V18B106S
φ8 Impresso	V18B107S
φ10 Impresso	V18B108S

Cup assembly	Item No.
Screw on	V18C101S
Euro screw	V18C102S
φ8 press-in	V18C103S
φ10 press-in	V18C104S
φ8 expando	V18C105S
φ10 expando	V18C106S
φ8 Impresso	V18C107S
φ10 Impresso	V18C108S

* Standard cup distance is 45mm; if 48mm, please change code Vxxx1xxx to Vxxx2xxx; 52mm change to Vxxx3xxS

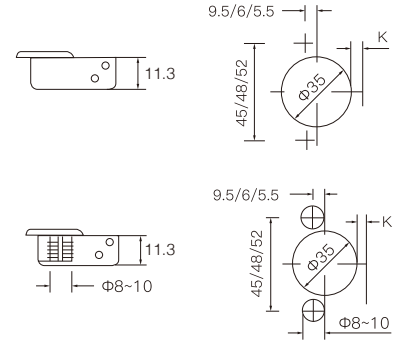
* Non soft-close change code VxxxxxxS to VxxxxxxN

V Hinge system

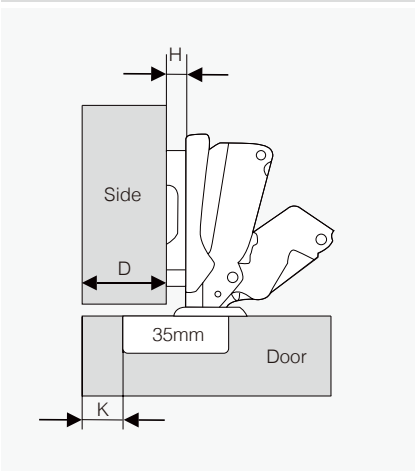
V96-165°; Clip-on; Cam adjustment; Soft-close



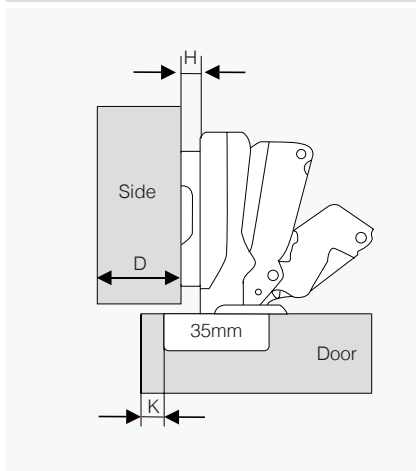
- Installation: Clip-on
- Opening degree: 165°
- Cup diameter: 35mm
- Cup depth: 11.3mm
- Cup distance: 45/48/52mm
- Door thickness: 16-24mm



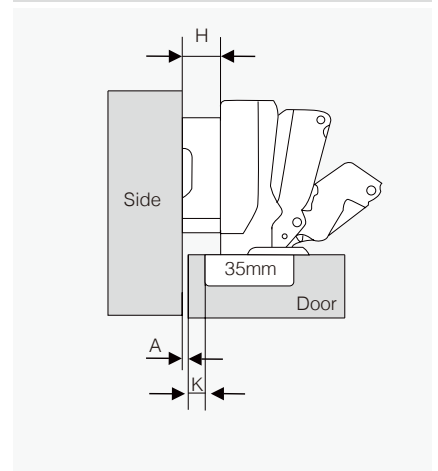
Overlay



Half overlay



Inset



		K-Cup distance				
		3	4	5	6	7
D-Door overlay	21.0					0
	20.0				0	
	19.0			0		2
	18.0		0		2	
	17.0	0		2		4
	16.0		2		4	
	15.0	2		4		
	14.0		4			
	13.0	4				
		H-Mounting plate height				

		K-Cup distance				
		3	4	5	6	7
D-Door overlay	12.0					0
	11.0				0	
	10.0			0		2
	9.0		0		2	
	8.0	0		2		4
	7.0		2		4	
	6.0	2		4		
	5.0		4			
	4.0	4				
		H-Mounting plate height				

		K-Cup distance				
		3	4	5	6	7
A-Door reveal	5.0	4				
	4.0		4			
	3.0	2		4		
	2.0		2		4	
	1.0			2		4
	0.0				2	
	-1.0					2
	-2.0					
	-3.0					
		H-Mounting plate height				

Cup assembly	Item No.
Screw on	V96A101S
Euro screw	V96A102S
φ8 press-in	V96A103S
φ10 press-in	V96A104S
φ8 expando	V96A105S
φ10 expando	V96A106S

Cup assembly	Item No.
Screw on	V96B101S
Euro screw	V96B102S
φ8 press-in	V96B103S
φ10 press-in	V96B104S
φ8 expando	V96B105S
φ10 expando	V96B106S

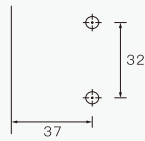
Cup assembly	Item No.
Screw on	V96C101S
Euro screw	V96C102S
φ8 press-in	V96C103S
φ10 press-in	V96C104S
φ8 expando	V96C105S
φ10 expando	V96C106S

* Standard cup distance is 45mm; if 48mm, please change code Vxxx1xxx to Vxxx2xxx; 52mm change to Vxxx3xxS

* Non soft-close change code VxxxxxxS to VxxxxxxN

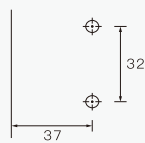
V Hinge system
Hinge plate

Adjustable plate - P11



Assembly	H=0	H=2	H=4
	Item No.	Item No.	Item No.
Screw on	P11001	P11201	P11401
Euro screw	P11002	P11202	P11402
φ5 expando	P11003	P11203	P11403

Two hole plate - P21



Assembly	H=0	H=2	H=4
	Item No.	Item No.	Item No.
Screw on	P21001	P21201	P21401
Euro screw	P21002	P21202	P21402
φ5 expando	P21003	P21203	P21403

Hinge arm cover



Hinge arm cover	Item No.
With Cemux logo	HAC02
Without Cemux logo	HAC12

Hinge cup cover



Hinge cup cover	Item No.
	HCC02

For more information, please visit CEMUX.COM
or contact us email CEMUX@CEMUX.CO.UK

CEMUX
LIVE YOUR LIFE

CEMUX TECHNOLOGY LTD


Kilkeary,
Nenagh,
Co. Tipperary
Ireland
Tel: 00353 67 31471